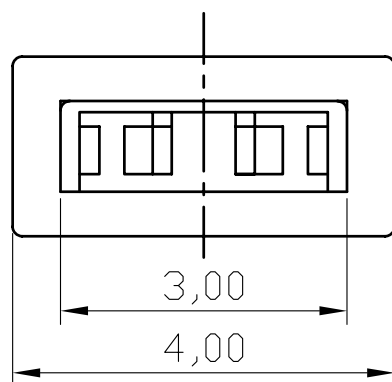
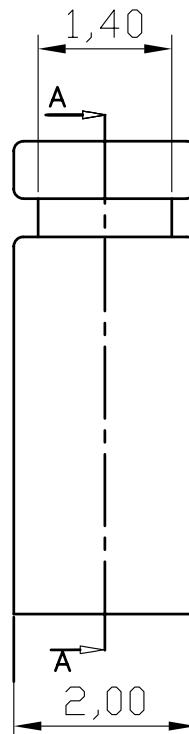
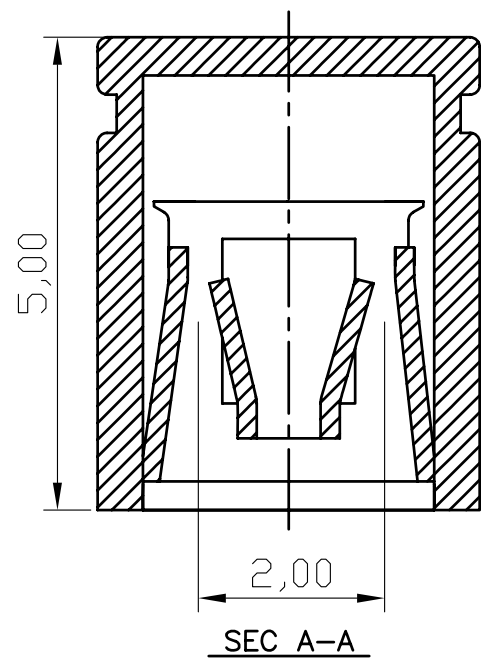


REV	ECN. NO.	APP	DATE
A	EDIÇÃO INICIAL		
B	NOVO CÓDIGO		

SPECIFICATION

Current Rating: 3Amp
 Dielectric Withstanding: AC 1000V min.Per minute
 Insulation Resistance: 1000M ohms At DC 500V
 Contact Resistance: 25 M ohms Max
 Contact Insertion Force: 1kg max
 Contact Separation force: 70g min
 Operating Temperature: -55°C To +85°C



**HOW TO ORDER:
 MJM02[][TC]2R**

1 2
 1- Terminal Plating (E)-Tinned (D)-FLASH Au (A)-0.38um Au (B)-0.76um Au
 2- Version: (P)-W/D Handle (TC)-Type Closed



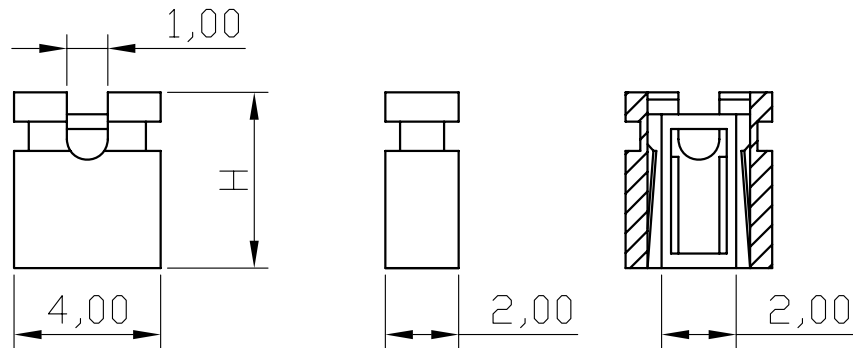
MATRIX Tecnologia Ind. e Com. Ltda.

UNIT mm	SCALE	TITLE JUMPER 2.00mm CLOSE TYPE	DATE DECEMBER 2009
TOLERANCE: ±0.25			APP. BY
		MATL	CHK. BY
		DWG. NO.	DR. BY FELIPE

REV	ECN. NO.	APP	DATE
A	EDIÇÃO INICIAL		
B	NOVO CÓDIGO		

SPECIFICATION

Current Rating: 3Amp
 Dielectric Whithstanding Voltage: AC 650volts RMS
 Insulation Resistance: 1000megahms Max
 Contact Resistance: 30mAmp Max



**HOW TO ORDER:
 MJM02[][P][]2R**

1 2 3

- 1- Terminal Plating
 (E)-Tinned
 (D)-FLASH Au
 (A)-0.38um Au
 (B)-0.76um Au
- 2- Version:
 (P)-W/D Handle
 (TC)-Type Closed
- 3- Type:
 Table (Height)

TABLE	
TYPE	H
A	4,50
B	3,50
C	9,50
D	11,20



MATRIX Tecnologia Ind. e Com. Ltda.

UNIT mm	SCALE 5:1	TITLE 2.00mm OPEN JUMPER	DATE DECEMBER 2009
TOLERANCE: ±0.25			APP. BY
		MATL	CHK. BY
		DWG. NO.	DR. BY FELIPE