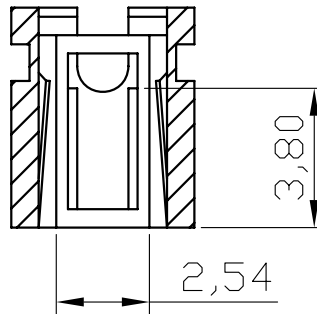
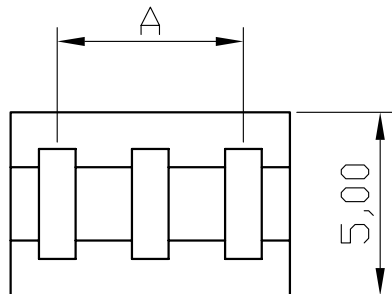
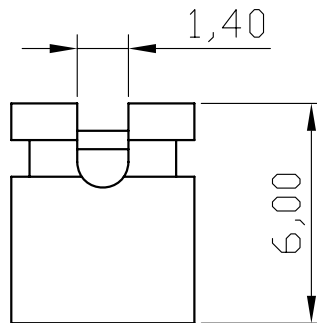
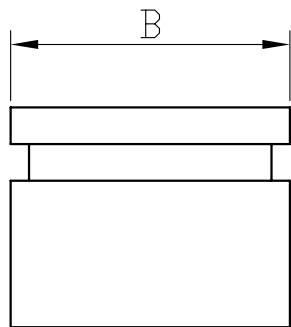


REV	ECN. NO.	APP	DATE
A	EDIÇÃO INICIAL		
B	NOVO CÓDIGO		



SPECIFICATION

Current Rating: 3Amp
 Dielectric Withstanding Voltage: 650VAC (1mm)
 Insulation Resistance: 1000M minimum
 Contact Resistance: 20m maximum
 Durability: 50 cycles
 Engagement Force: 340 grams/a contact maximum
 Disengagement Force: 60 grams/a contact minimum
 Terminal Retention Force from Plastic: 540 grams minimum

**HOW TO ORDER:
 MJM02[] []BPBR**

- 1 2**
 1- Nr. of Positions
 2 to 10
 2- Terminal Plating
 (E)-Tinned
 (D)-FLASH Au
 (A)-0.38um Au
 (B)-0.76um Au

PIN N°	A	B
2	2,54	5,08
3	5,08	7,62
4	7,62	10,16
5	10,16	12,70
6	12,70	15,24
7	15,24	17,78
8	17,78	20,32
9	20,32	22,86
10	22,86	25,40



MATRIX Tecnologia Ind. e Com. Ltda.

0.0±	SCALE	TITLE	DATE
0.00±	UNIT mm	Jumper Block 2.54mm	DECEMBER 2009
0.000±			APP. BY
	MATL	CHK. BY	
	DWG. NO.	DR. BY	FELIPE