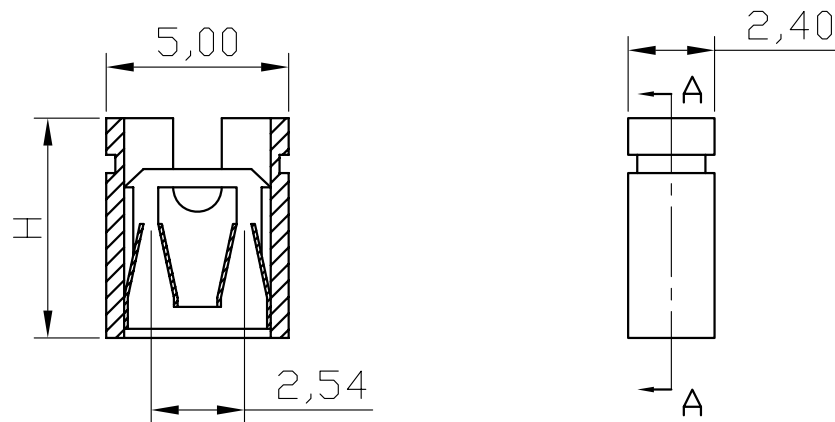
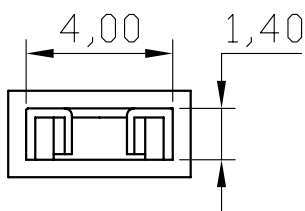


REV	ECN. NO.	APP	DATE
A	EDIÇÃO INICIAL		
B	NOVO CÓDIGO		



SEC A-A



Especification:

Current rating: 3Amp
 Dielectric Strength: 500V AC
 Insulator resistance: 1000M ohms min.
 Contact resistance: 20M ohms min.
 Operation temperature: -55°C to +85°C
 Maximum inserlion force: 200g-80g
 Minimum withdrawal force: 130g-80g

**HOW TO ORDER:
 MJM02[][P][]R
 1 2 3**

1- Terminal Plating 2- Version:
 (E)-Tinned (A)-With Handle
 (D)-FLASH Au (P)-W/□ Handle
 (A)-0.38um Au (TC)-Type Closed
 (B)-0.76um Au 3- Type:
 Table (Height)

TABLE	
TYPE	H
A	4,50
B	6,00
C	8,00



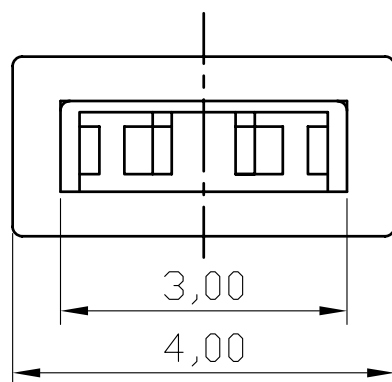
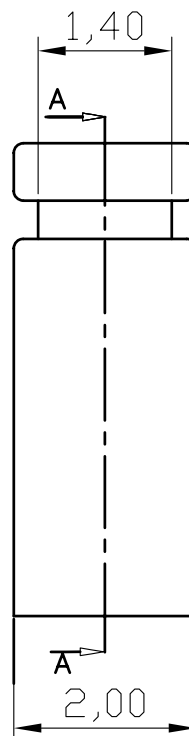
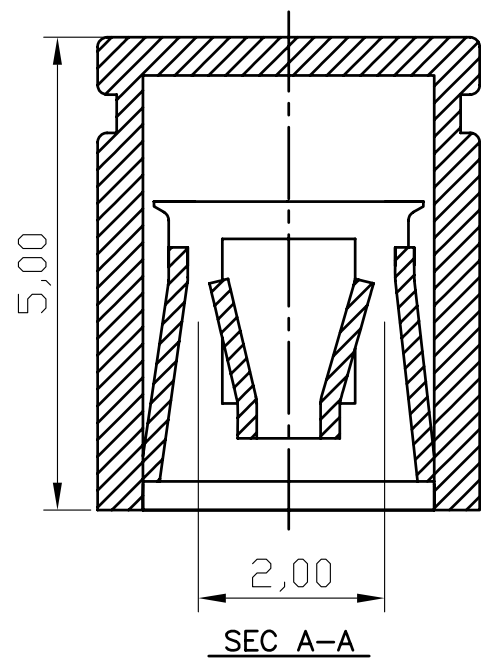
MATRIX Tecnologia Ind. e Com. Ltda.

0.0±	SCALE	TITLE Mini Jumper 2.54mm Open Type	DATE	DECEMBER 2009
0.00±	UNIT mm		APP. BY	
0.000±			CHK. BY	
		MATL	DR. BY FELIPE	
		DWG. NO.		

REV	ECN. NO.	APP	DATE
A	EDIÇÃO INICIAL		
B	NOVO CÓDIGO		

SPECIFICATION

Current Rating: 3Amp
 Dielectric Withstanding: AC 1000V min.Per minute
 Insulation Resistance: 1000M ohms At DC 500V
 Contact Resistance: 25 M ohms Max
 Contact Insertion Force: 1kg max
 Contact Separation force: 70g min
 Operating Temperature: -55°C To +85°C



**HOW TO ORDER:
 MJM02[][TC]2R**

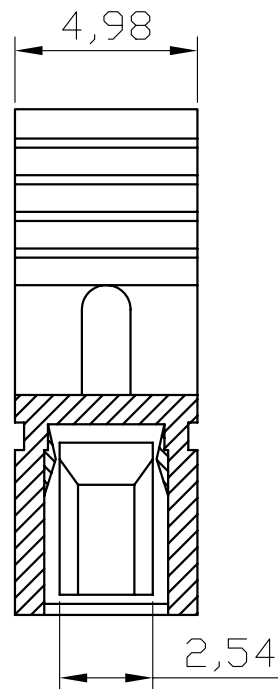
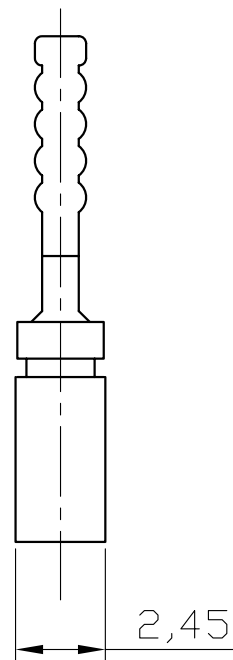
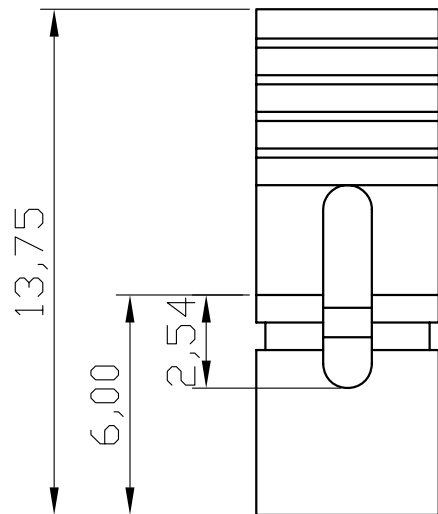
1 2
 1- Terminal Plating 2- Version:
 (E)-Tinned (P)-W/D Handle
 (D)-FLASH Au (TC)-Type Closed
 (A)-0.38um Au
 (B)-0.76um Au



MATRIX Tecnologia Ind. e Com. Ltda.

UNIT mm	SCALE	TITLE JUMPER 2.00mm CLOSE TYPE	DATE DECEMBER 2009
TOLERANCE: ±0.25			APP. BY
		MATL	CHK. BY
		DWG. NO.	DR. BY FELIPE

REV	ECN. NO.	APP	DATE
A	EDIÇÃO INICIAL		
B	NOVO CÓDIGO		



SPECIFICATIONS

Current Rating: 3Amp MAX

Contact Resistance: 30mΩ MAX

Insulation Resistance: 1000mΩ MAX

HOW TO ORDER: MJM02[][A][O]R

1 2

- 1- Terminal Plating 2- Version:
 (E)-Tinned (A)-With Handle
 (D)-FLASH Au (P)-W/O Handle
 (A)-0.38um Au (TC)-Type Closed
 (B)-0.76um Au



MATRIX Tecnologia Ind. e Com. Ltda.

0.0±	SCALE	TITLE	DATE
0.00±	UNIT mm	JUMPER 2.54mm WITH HANDLE	DECEMBER 2009
0.000±			APP. BY
		MATL	CHK. BY
		DWG. NO.	DR. BY FELIPE