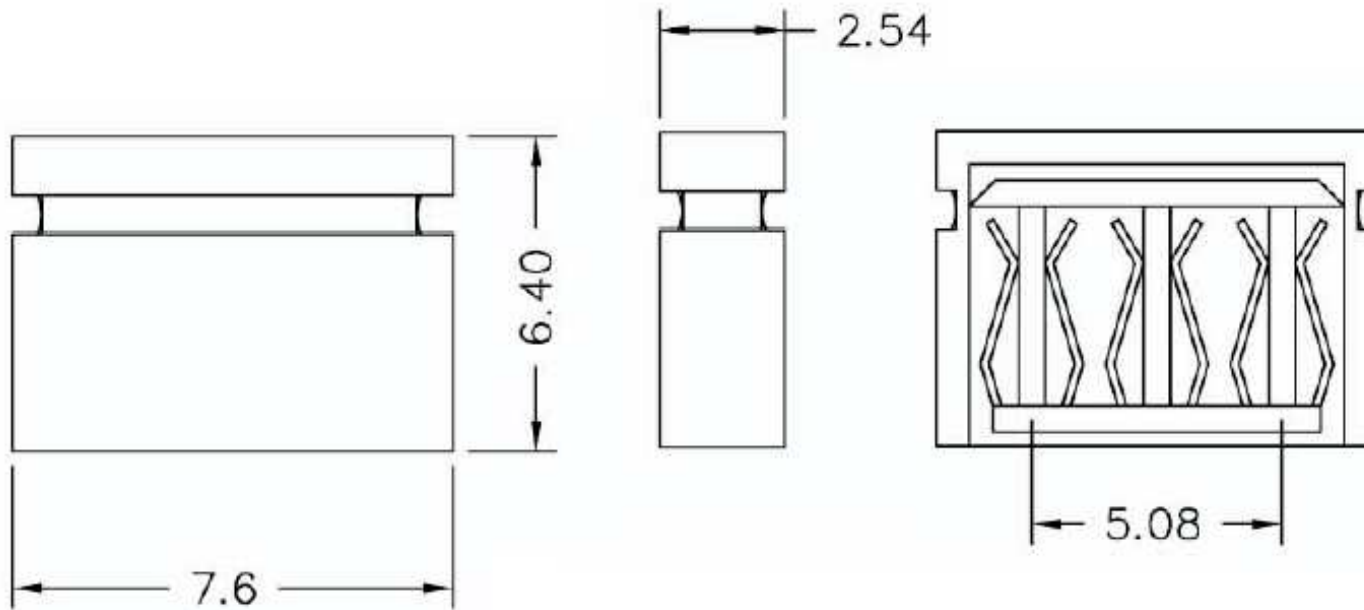


REV	ECN. NO.	APP	DATE
A	EDIÇÃO INICIAL		


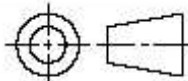
SPECIFICATION

Current Rate : 1 AMP
 Insulation Resistance : 5000MΩMin. at DC 500V
 Contact Resistance : 20mΩMax. at DC 100mA
 Dielectric Voltage : 500V AC for one minute
 Operation Temperature : -55°C to +105°C



HOW TO ORDER:
MJM02[][TC]5.08R
1

- 1- Terminal Plating
- (E)-Tinned
- (D)-FLASH Au
- (A)-0.38um Au
- (B)-0.76um Au

		MATRIX Tecnologia Ind. e Com. Ltda.	
UNIT mm	SCALE	TITLE Mini Jumper Close Type 5.08mm	DATE September 2007
TOLERANCE: ±0.25			APP. BY
		MATL	CHK. BY
		DWG. NO.	DR. BY Dino