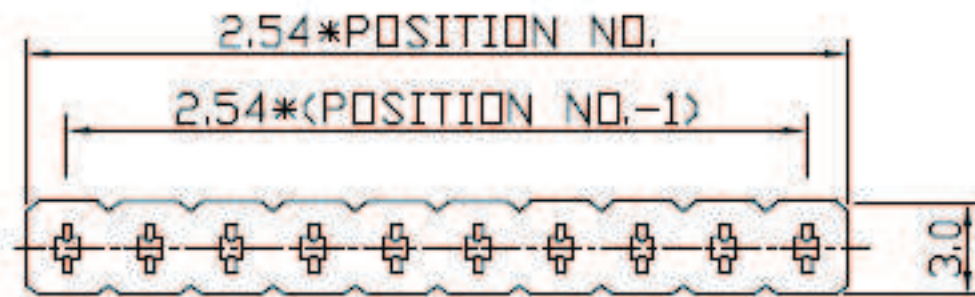
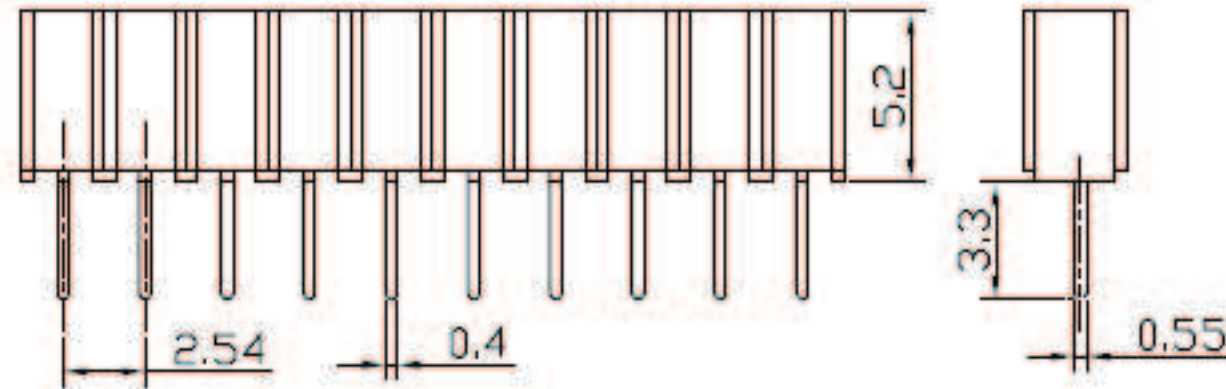
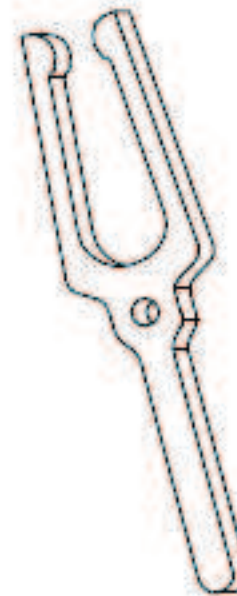


REV	ECN. NO.	APP	DATE
A	EDIÇÃO INICIAL		



SPECIFICATIONS

CURRENT RATING

1 AMP DC

CONTACT RESISTANCE

30 MILLIOHM MAX

INSULATION RESISTANCE

1000 MEGOHM MIN

DIELECTRIC VOLTAGE

500V AC FOR ONE MINUTE

OPERATING TEMPERATURE

-40°C TO 105°C

HOW TO ORDER:
MAT[][S][R][]S5.2W[R]
1 2 3 4 5

1- Nr. of Ways

Single Row: 1 to 50

Double Row: 2 to 80

2- Row Version:

(S)-Single Row

(D)-Double Row

3- Pin Style

(N)-90°

(R)-180°

4- Terminal Plating:

(E)-Sn

(D)-FLASH Au

(F)-0,38um Au

(G)-0,76um Au

(C)-0,38um Au/Sn

(H)-0,76um Au/Sn

5- (R) RoHS Compliant



MATRIX Tecnologia Ind. e Com. Ltda.

UNIT mm	SCALE	TITLE 2.54mm FEMALE HEADER H=5.2mm 180°	DATE September 2007
TOLERANCE: ±0.25			APP. BY
		MATL	CHK. BY
		DWG. NO.	DR. BY Diego

REV	ECN. NO.	APP	DATE
A	EDIÇÃO INICIAL		

SPECIFICATIONS

CURRENT RATING

1 AMP DC

CONTACT RESISTANCE

30 MILLIOHM MAX

INSULATION RESISTANCE

1000 MEGOHM MIN

DIELECTRIC VOLTAGE

500V AC FOR ONE MINUTE

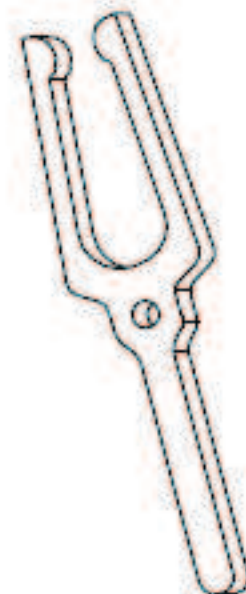
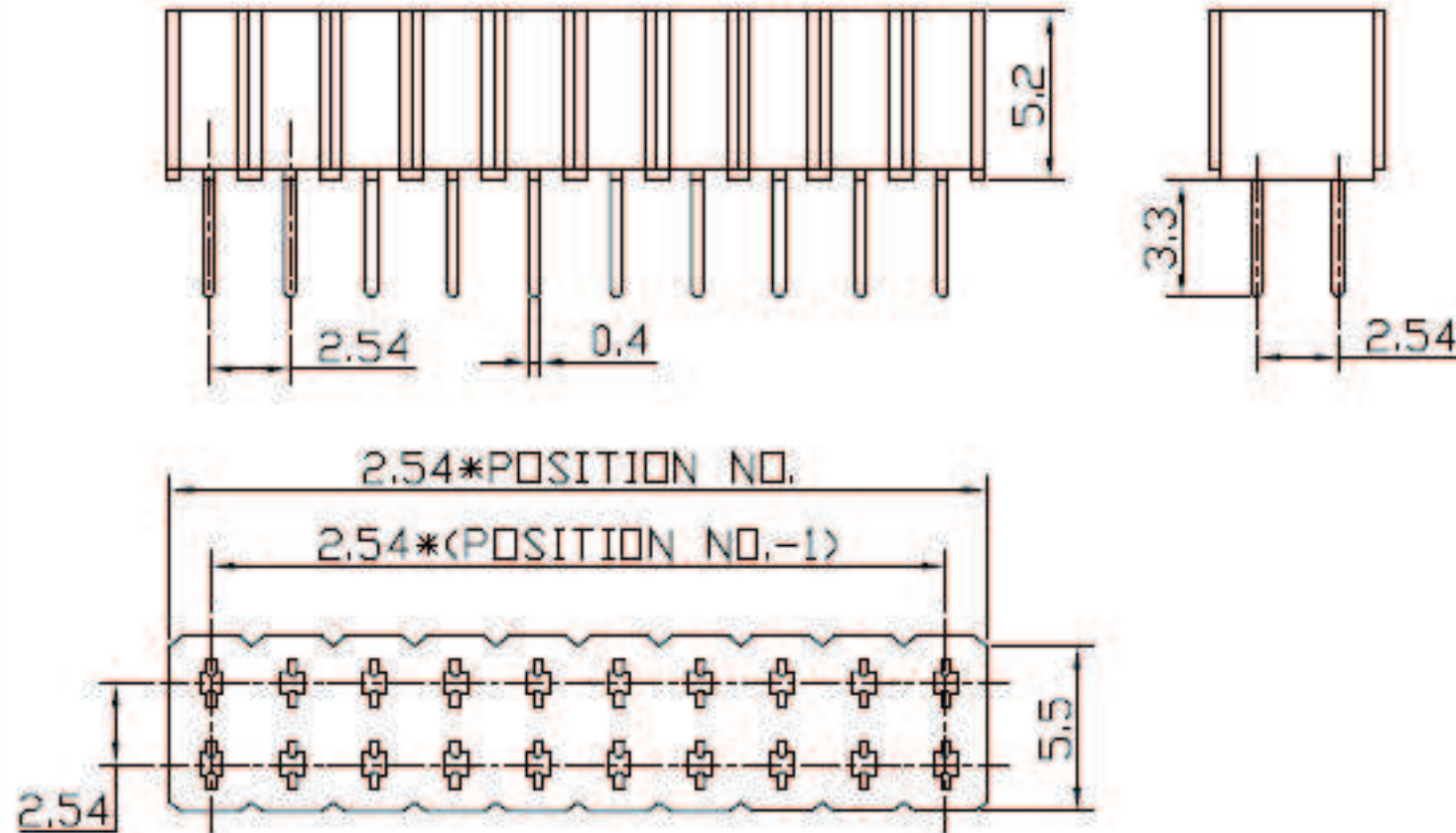
OPERATING TEMPERATURE

-40°C TO 105°C

HOW TO ORDER:
MAT[] [D][R][]SZ[R]
1 2 3 4 5

- 1- Nr. of Ways
 Single Row: 1 to 40
 Double Row: 2 to 80
- 2- Row Version:
 (S)-Single Row
 (D)-Double Row
- 3- Pin Style
 (N)-90°
 (R)-180°

- 4- Terminal Plating:
 (E)-Sn
 (D)-FLASH Au
 (F)-0,38um Au
 (G)-0,76um Au
 (C)-0,38um Au/Sn
 (H)-0,76um Au/Sn
- 5- (R) RoHS Compliant



		MATRIX Tecnologia Ind. e Com. Ltda.	
UNIT mm	SCALE	TITLE 2.54mm FEMALE HEADER H=5.2mm 180°	DATE September 2007
TOLERANCE: ±0.25			APP. BY
		MATL	CHK. BY
		DWG. NO.	DR. BY Diego