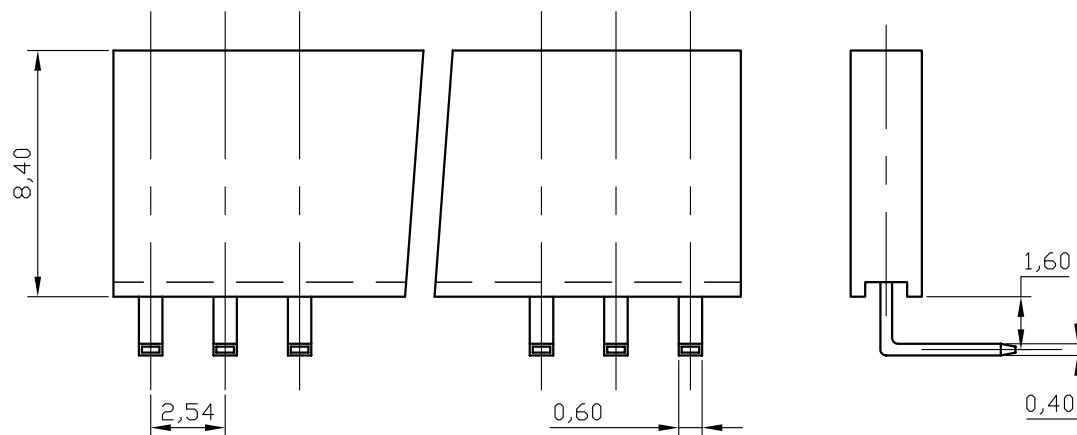


REV/	ECN. NO.	APP	DATE
B	MELHORIA NO ASPECTO VISUAL		

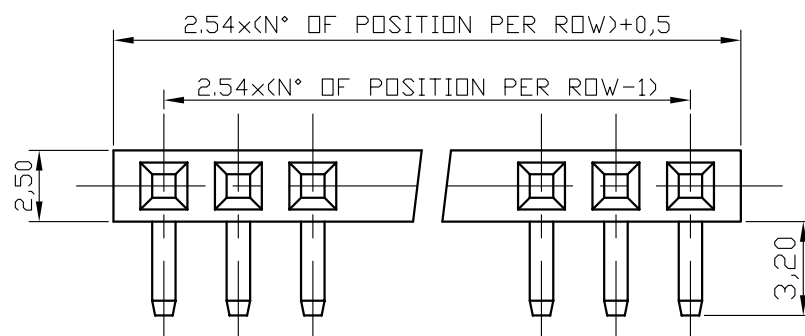


SPECIFICATIONS

Current Rating: 3Amp Max.
 Withstanding Voltage: 1000V AC R.M.S /min
 Insulation Resistance: 5000M ohms min.
 AT 1000V DC
 Contact Resistance: 30mΩ Max.
 Operating Temperature: -55°C to +105°C

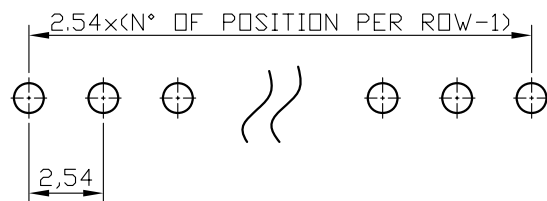
MATERIAL & FINISH

Housing: P.B.T (UL 94V-0)
 Color Black
 Terminal: Copper Alloy



**HOW TO ORDER:
 MAT[][S][N][][S][R]
 1 2 3 4 5**

- 1- Nr. of Ways
 Single Row: 1 to 40
 Double Row: 2 to 80
- 2- Row Version:
 (S)-Single Row
 (D)-Double Row
- 3- Pin Style
 (N)-90°
 (R)-180°
- 4- Terminal Plating:
 (E)-Sn
 (D)-FLASH Au
 (F)-0,38um Au
 (G)-0,76um Au
 (C)-0,38um Au/Sn
 (H)-0,76um Au/Sn
- 5-(R) RoHS Compliant



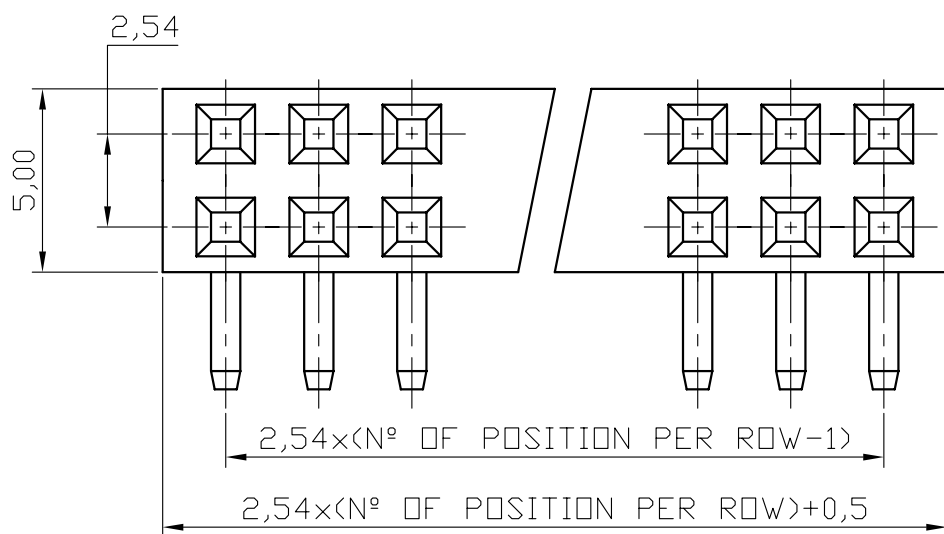
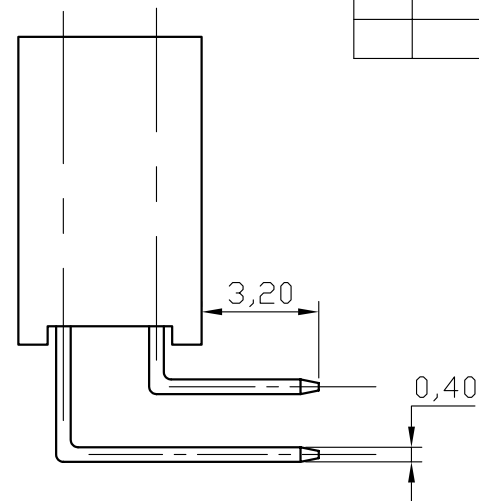
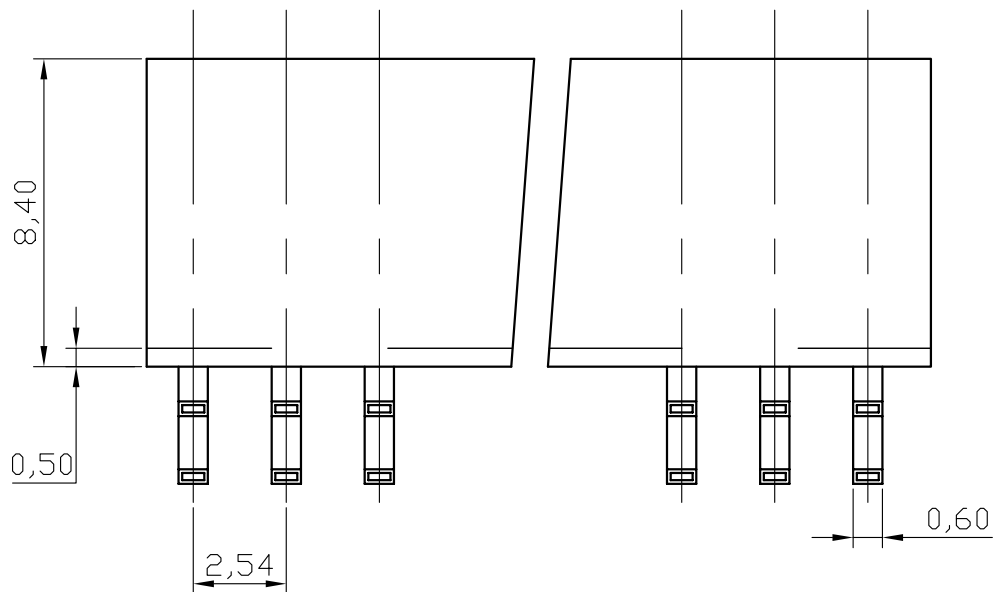
RECOMMEND P.C.B. LAYOUT
 BOTTOM VIEW



MATRIX Tecnologia Ind. e Com. Ltda.

0.0±	SCALE	TITLE	DATE JUNE 2007
0.00±	UNIT mm	2.54mm FEMALE HEADER	APP. BY
0.000±		SINGLE ROW H=8.4mm 90°	
		MATL	CHK. BY
		DWG. NO.	DR. BY DIEGO

REV	ECN. NO.	APP	DATE
A	EDIÇÃO INICIAL		



HOW TO ORDER: MAT[][D][N][D]S[R]

1 2 3 4 5

- 1- Nr. of Ways
Single Row: 1 to 40
Double Row: 2 to 80
- 2- Row Version:
(S)-Single Row
(D)-Double Row
- 3- Pin Style
(N)-90°
(R)-180°
- 4- Terminal Plating:
(E)-Sn
(D)-FLASH Au
(F)-0,38um Au
(G)-0,76um Au
(C)-0,38um Au/Sn
(H)-0,76um Au/Sn
- 5-(R) RoHS Compliant



MATRIX Tecnologia Ind. e Com. Ltda.

UNIT mm	SCALE 5:1	TITLE 2.54mm FEMALE HEADER H=8.4mm DUAL ROW 90°	DATE JULY 2007
TOLERANCE: ±0.25			APP. BY
		MATL	CHK. BY
		DWG. NO.	DR. BY DIEGO