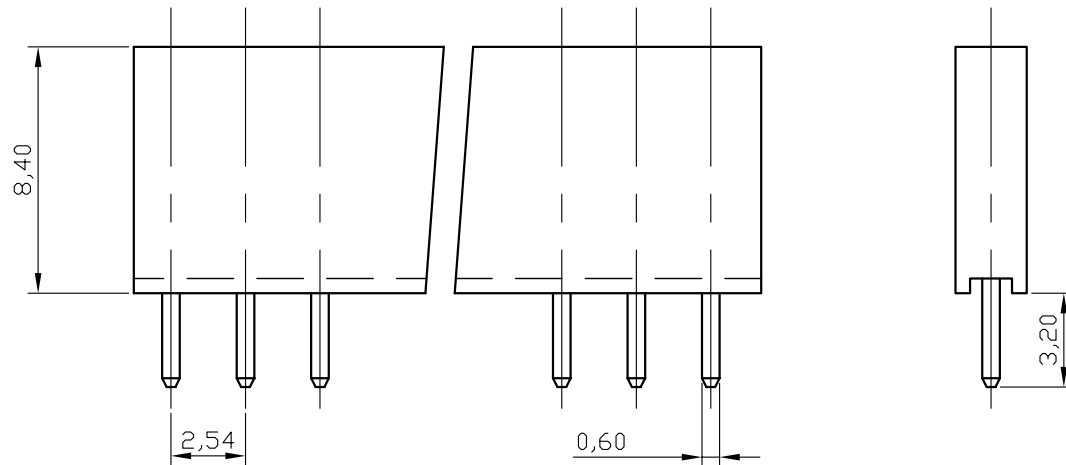


REV/	ECN. NO.	APP	DATE
B	MELHORIA NO ASPECTO VISUAL		



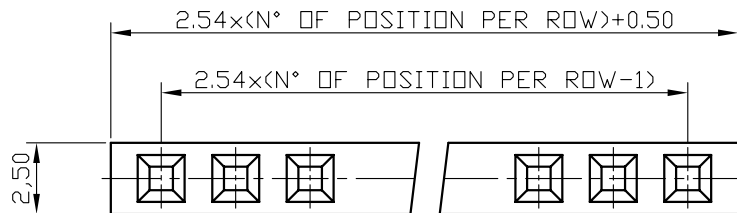
### SPECIFICATIONS

Current Rating: 3Amp Max.  
 Whithstanding Voltage: 1000V AC R.M.S /min  
 Insulation Resistance: 5000M ohms min.  
 AT 1000V DC  
 Contact Resistance: 30mΩ Max.  
 Operating Temperature: -55°C to +105°C

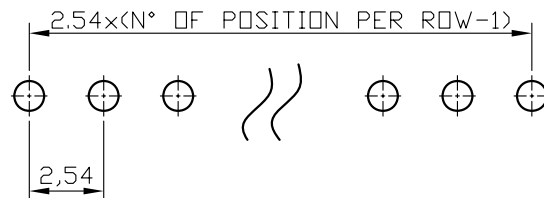
### MATERIAL & FINISH

Housing: P.B.T (UL 94V-0)  
 Color Black  
 Terminal: Copper Alloy

## HOW TO ORDER: MAT[ ][S][R][ ][S][R] 1 2 3 4 5



- 1- Nr. of Ways  
 Single Row: 2 to 40  
 Double Row: 2 to 80
- 2- Row Version:  
 (S)-Single Row  
 (D)-Double Row
- 3- Pin Style  
 (N)-90°  
 (R)-180°
- 4- Terminal Plating:  
 (E)-Sn  
 (D)-FLASH Au  
 (F)-0,38um Au  
 (G)-0,76um Au
- 5-(R) RoHS Compliant



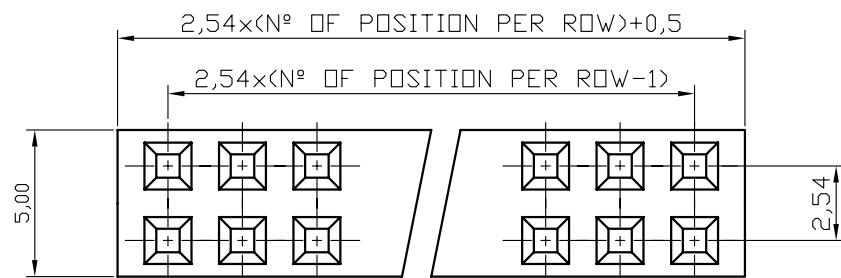
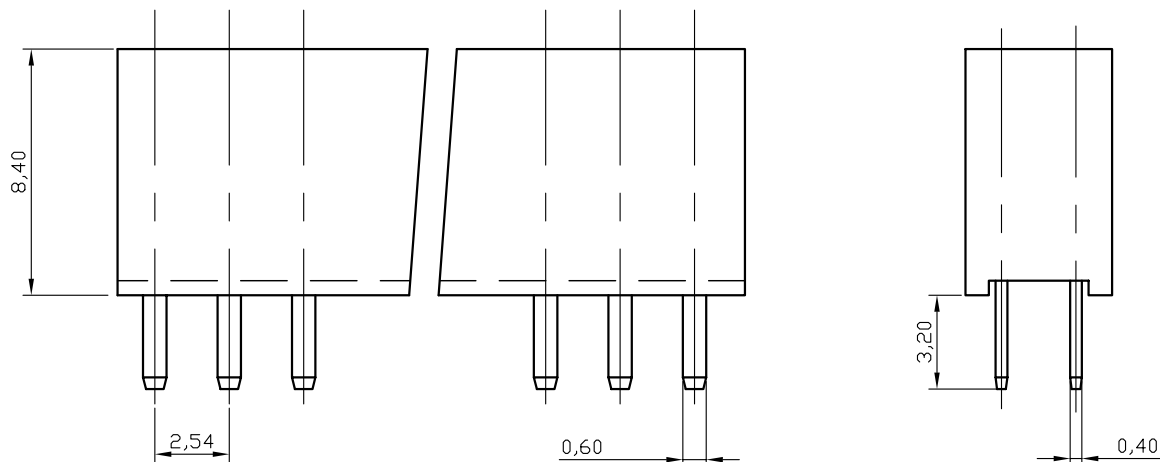
RECOMMEND P.C.B. LAYOUT  
 BOTTOM VIEW



**MATRIX Tecnologia Ind. e Com. Ltda.**

0.0±	SCALE	TITLE	DATE JUNE 2007
0.00±	UNIT mm	2.54mm FEMALE HEADER	APP. BY
0.000±		H=8.4mm SINGLE ROW 180°	
		MATL	CHK. BY
		DWG. NO.	DR. BY DIEGO

REV	ECN. NO.	APP	DATE
B	MELHORIA NO ASPECTO VISUAL		



### SPECIFICATIONS

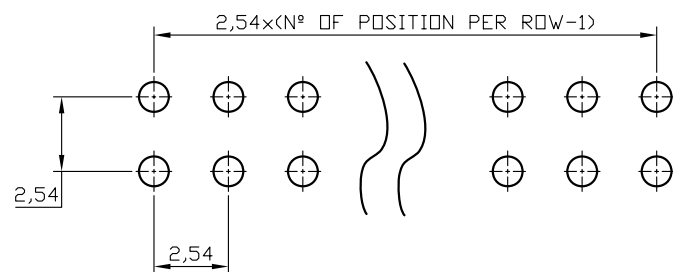
Current Rating: 3Amp Max.  
 Withstanding Voltage: 1000V AC R.M.S /min  
 Insulation Resistance: 5000M ohms min.  
 AT 1000V DC  
 Contact Resistance: 30mΩ Max.  
 Operating Temperature: -55°C to +105°C

### MATERIAL & FINISH

Housing: P.B.T (UL 94V-0)  
 Color Black  
 Terminal: Copper Alloy

### HOW TO ORDER: MAT[ ][D][R][ ][S][R] 1 2 3 4 5

- 1- Nr. of Ways  
 Single Row: 1 to 40  
 Double Row: 2 to 80
- 2- Row Version:  
 (S)-Single Row  
 (D)-Double Row
- 3- Pin Style  
 (N)-90°  
 (R)-180°
- 4- Terminal Plating:  
 (E)-Sn  
 (D)-FLASH Au  
 (F)-0,38um Au  
 (G)-0,76um Au
- 5-(R) RoHS Compliant



RECOMMEND P.C.B. LAYOUT  
 BOTTOM VIEW

## MATRIX Tecnologia Ind. e Com. Ltda.

UNIT mm	SCALE 4:1	TITLE 2.54mm FEMALE HEADER H=8.4mm DUAL ROW 180°	DATE JUNE 2007
TOLERANCE: ±0.25			APP. BY
		MATL	CHK. BY
		DWG. NO.	DR. BY DIEGO