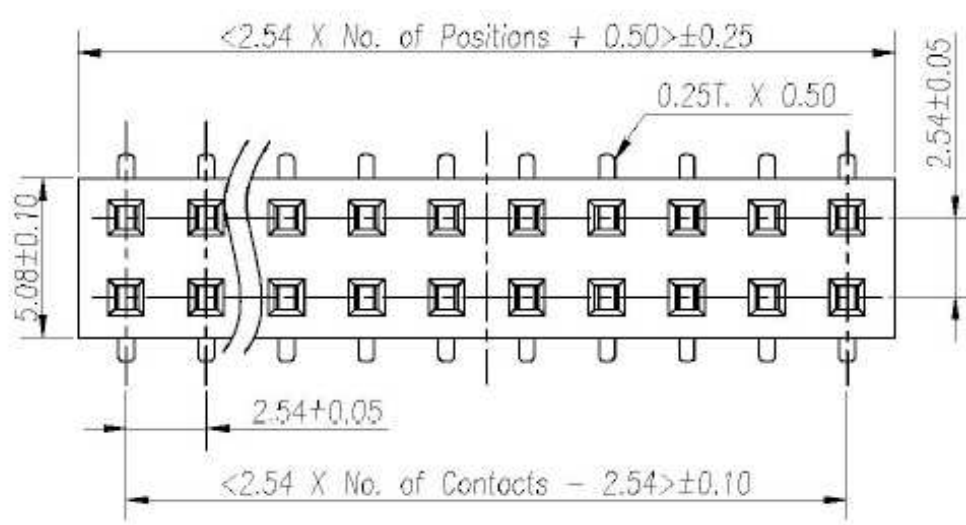
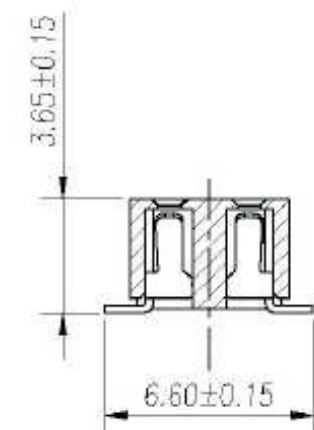
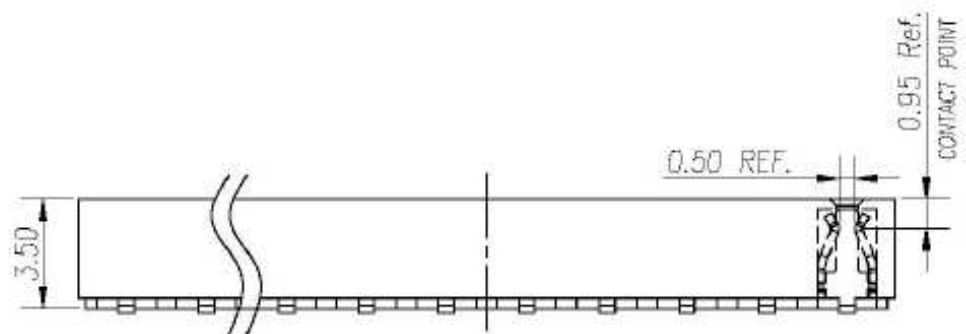


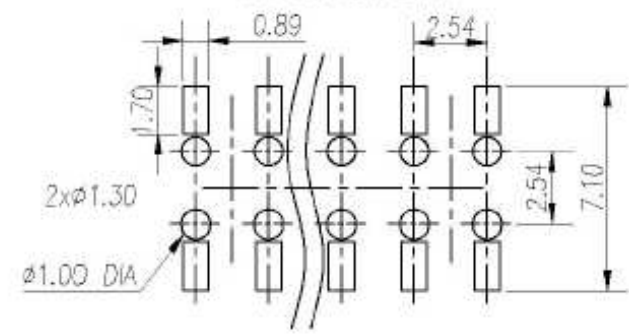
REV	ECN. NO.	APP	DATE
A	EDIÇÃO INICIAL		



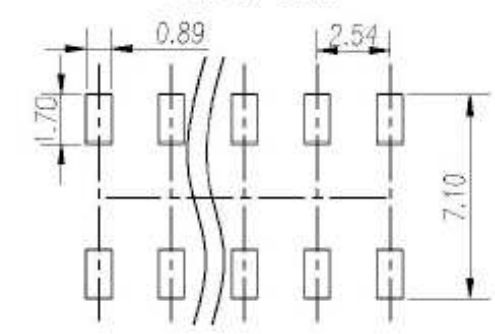
### HOW TO ORDER: MAT[ ][D][R][ ]S[J]D[ ][R] 1 2 3 4 5 6 7

- 1- Nr. of Ways  
Double Row: 2 to 80
- 2- Row Version:  
(D)-Double Row
- 3- Pin Style  
(R)-180°
- 4- Terminal Plating:  
(E)-Sn  
(D)-FLASH Au  
(F)-0,38um Au  
(G)-0,76um Au  
(C)-0,38um Au/Sn  
(H)-0,76um Au/Sn
- 5- Profile:  
(J)-3,50mm
- 6- Options:  
(T)-Tube Packing  
(R)-Reel Packing  
(C)-Cap + Tube  
(Q)-Cap + Reel  
(Y)-With Locating Peg (Tube)  
(I)-With Locating Peg (Reel)  
(P)-Peg + Cap + Tube  
(E)-Peg + Cap + Reel
- 7- (R) RoHS Compliant

RECOMMENDED P.C.B LAYOUT FOR BOTTOM ENTRY



RECOMMENDED P.C.B LAYOUT FOR TOP ENTRY



		<b>MATRIX Tecnologia Ind. e Com. Ltda.</b>		
		UNIT mm	SCALE	TITLE
TOLERANCE: ±0.25		2.54mm FEMALE HEADER DUAL ROW H:3.5mm SMD		APP. BY
	MATL		CHK. BY	
	DWG. NO.		DR. BY Diego	