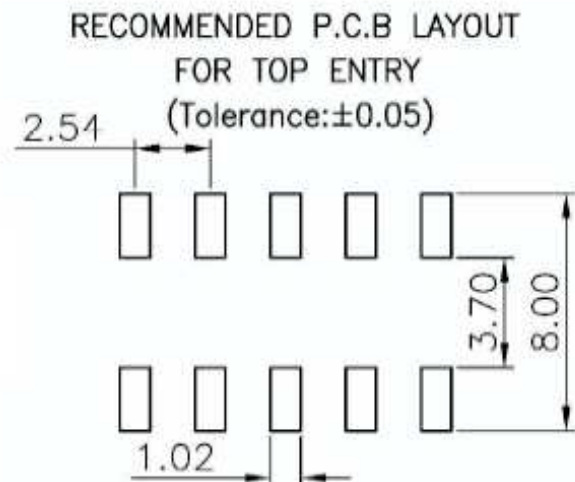
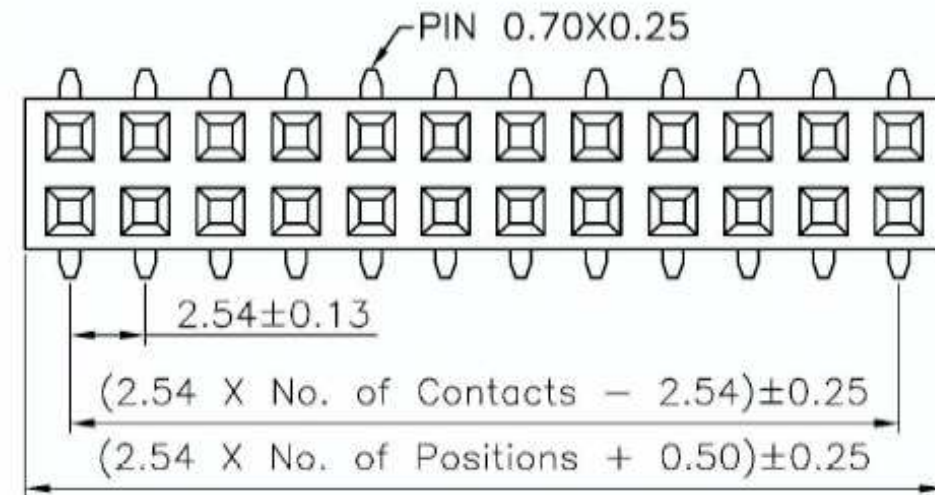
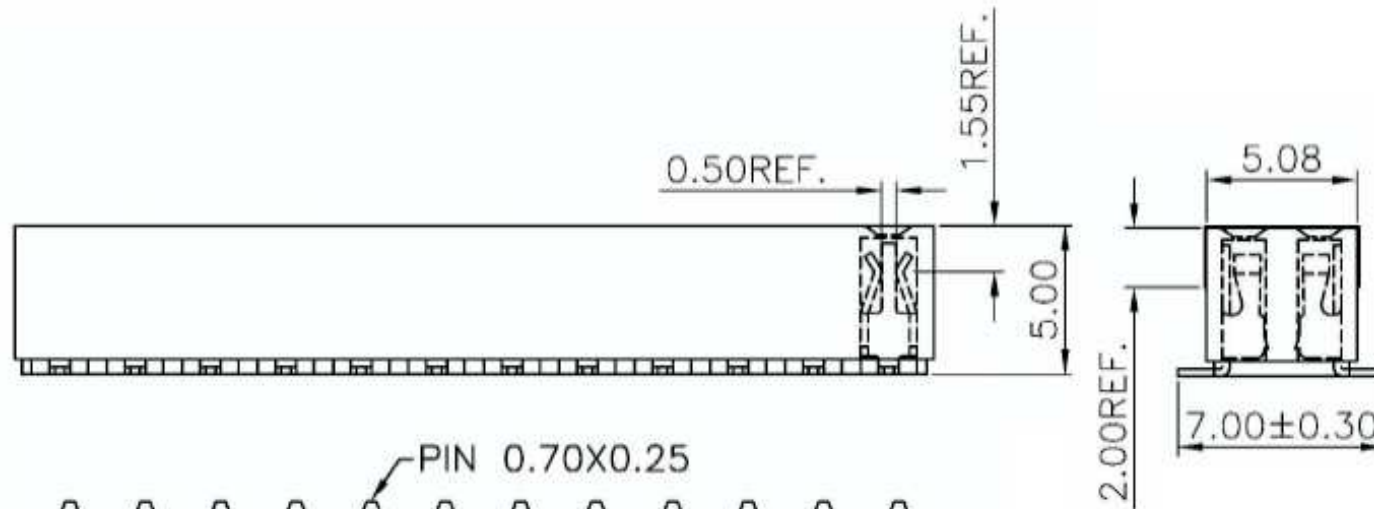


REV	ECN. NO.	APP	DATE
A	EDIÇÃO INICIAL		
B	NOVO CÓDIGO		



Specifications

Current Rating: 3Amp
 Insulation Resistance: 1000M Ω Min.
 Dielectric Withstanding: 600V AC/DC
 Contact Resistance: 20m Ω Max.
 Operating Temperature: $-40^{\circ}C$ to $+105^{\circ}C$

HOW TO ORDER: MAT[][D][R][]SDAR 1 2 3 4

- 1- Nr. of Ways
Single Row 1 to 40
Double Row: 2 to 80
- 2- Row Version:
(S)-Single Row
(D)-Double Row
- 3- Pin Style
(N)- 90°
(R)- 180°
- 4- Terminal Plating:
(E)-Sn
(D)-FLASH Au
(F)-0,38um Au
(G)-0,76um Au
(C)-0,38um Au/Sn
(H)-0,76um Au/Sn

UNIT		SCALE	TITLE	DATE
mm			2.54mm FEMALE HEADER H:5.0 DUAL ROW SMD	November 2009
TOLERANCE: ± 0.25				APP. BY
			MATL	CHK. BY
			DWG. NO.	DR. BY Felipe