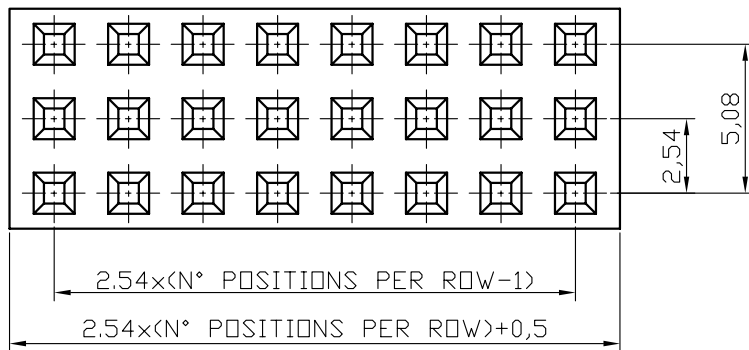
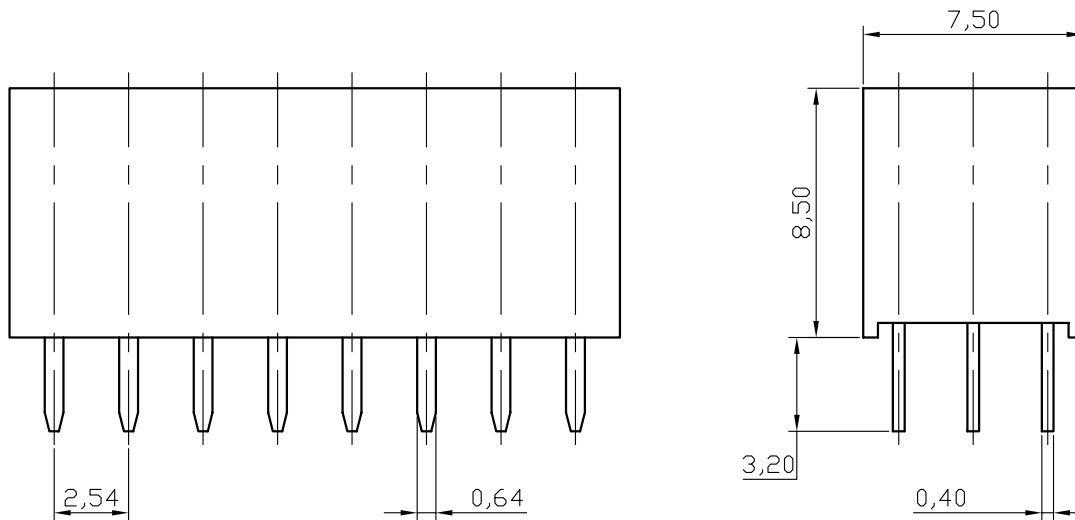
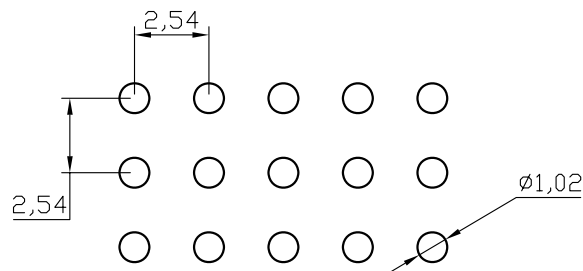


REV/	ECN. NO.	APP	DATE
A	EDIÇÃO INICIAL		



Recommended P.C.Board
Hole Layout



SPECIFICATIONS

Current Rating: 3Amps
 Insulator Resistance: 1000 Megaohms min.
 Contact Resistance: 20m ohms max.
 Dielectric Withstanding: 600V AC/DC
 Operating Temperature: -40°C to 105°C

MATERIALS

Contact Material: Phosphor Bronze
 Insulation Material: Polyester, UL 94V-0
 P.B.T

HOW TO ORDER: MAT[][T][R][]S[][R] 1 2 3 4 5 6

- 1- Nr. of Ways Triple Row: 9 to 96
- 2- Row Version: (T)-Triple Row
- 3- Pin Style (N)-90° (R)-180°
- 4- Terminal Plating: (E)-Sn (D)-FLASH Au (F)-0,38um Au (G)-0,76um Au (C)-0,38um Au/Sn (H)-0,76um Au/Sn
- 5- Profile: (S)-8,50mm (W)-11,0mm
- 6- (R)RoHS Compliant



MATRIX Tecnologia Ind. e Com. Ltda.

0.0±	SCALE	TITLE	DATE
0.00±	UNIT mm	2.54mm FEMALE HEADER	JUNE 2007
0.000±		TRIPLE ROW 180° H=8.5mm	APP. BY
		MATL	CHK. BY
		DWG. NO.	DR. BY DIEGO