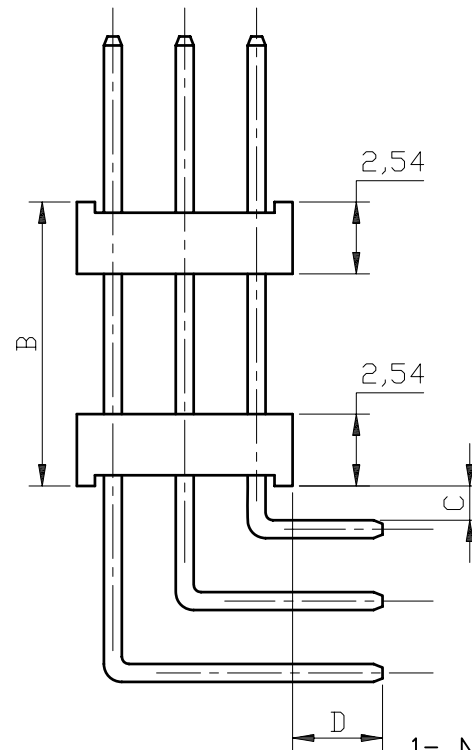
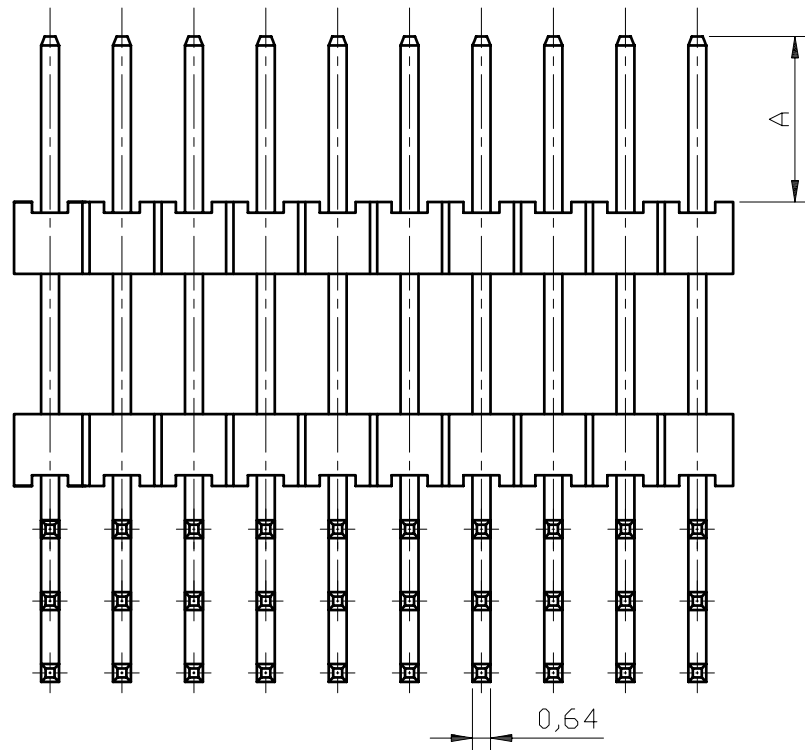
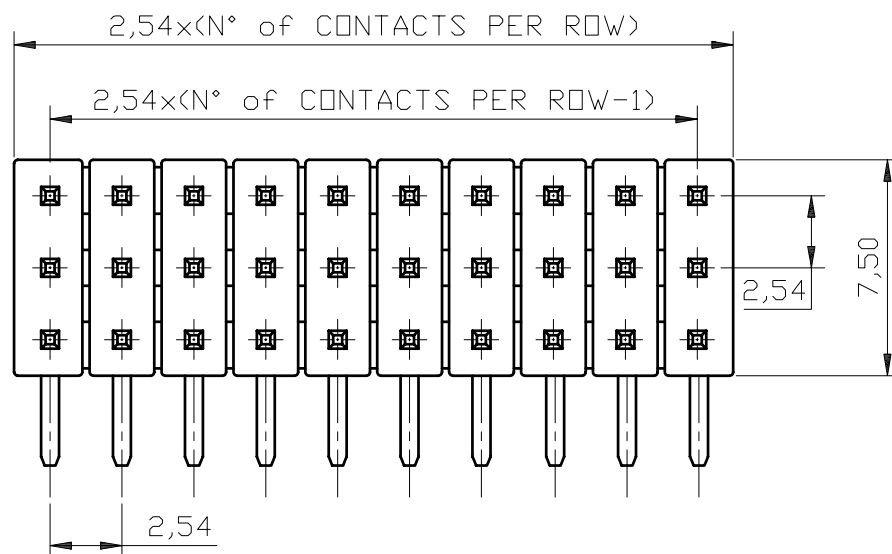



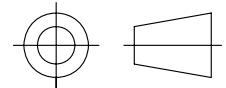
REV	ECN. NO.	APP	DATE
A	EDIÇÃO INICIAL		



HOW TO ORDER: MCT[][T][N][]S[][R] 1 2 3 4 5 6

- 1- Nr. of Ways: Triple Row: 3 to 120
- 2- Row Version: (T)-Triple Row
- 3- Pin Style: (R)-180° (N)-90°
- 4- Terminal Plating: (E)-Sn (F)-Flash Au (A)-0,38um Au (B)-0,76um Au (C)-0,38um Au/Sn (D)-0,76um Au/Sn
- 5- Options: (T)-Tube Packing
- 6-(R) RoHS Compliant



 MATRIX TECNOLOGIA IND. E COM. LTDA.			
UNIT mm	SCALE	TITLE 2,54mm MCT H=2,54mm TRIPLE ROW 90°	DATE September 2007
TOLERANCE: ±0.25			APP. BY
		MATL	CHK. BY
DWG. NO.			DR. BY Diego