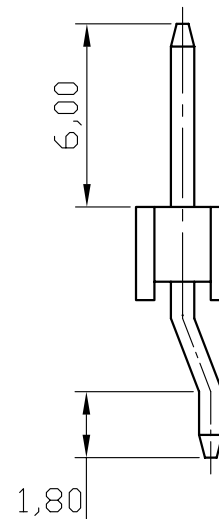
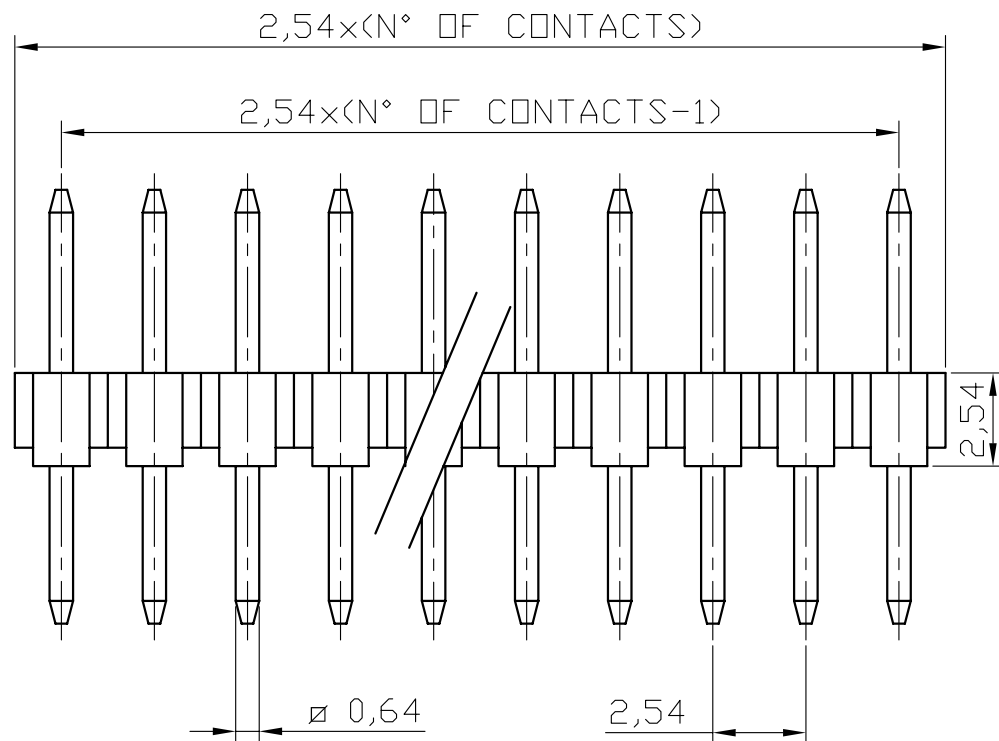


REV	ECN. NO.	APP	DATE
A	EDIÇÃO INICIAL		



**HOW TO ORDER:
PIN[][S][S][]SD[T][R]**

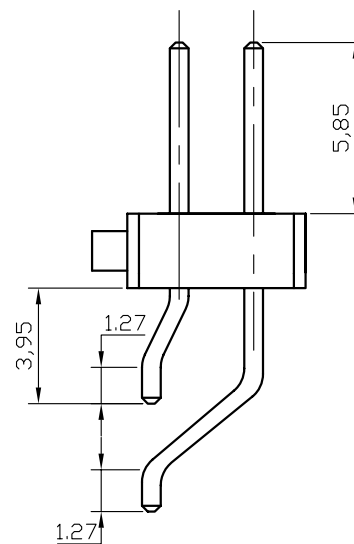
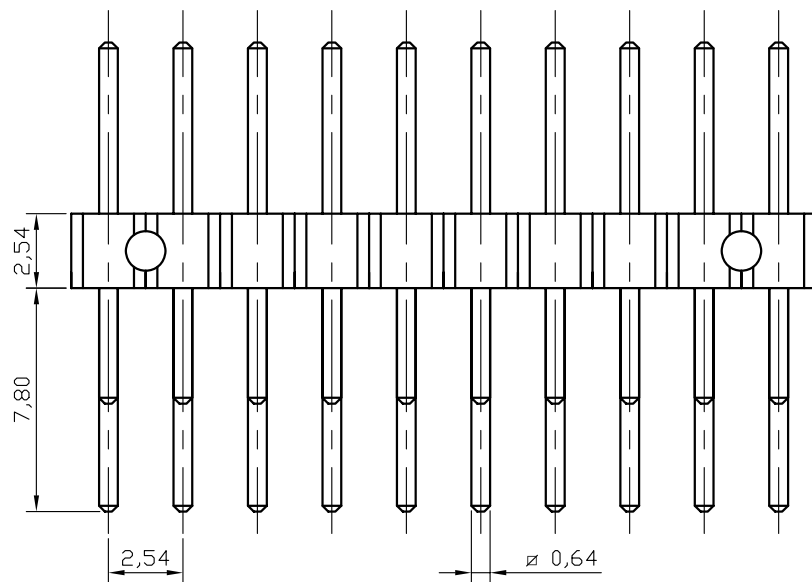
- | | | | | | |
|--|---|-------------------------|--|--------------------|----------------------|
| 1 | 2 | 3 | 4 | 5 | 6 |
| 1- Nr. of Ways
Single Row: 1 to 40
Double Row: 2 to 80 | 2- Row Version:
(S)-Single Row
(D)-Double Row | 3- Pin Style
(S)-90° | 4- Terminal Plating:
(E)-Sn
(F)-FLASH Au
(A)-0,38um Au
(B)-0,76um Au
(C)-0,38um Au/Sn
(D)-0,76um Au/Sn | 5-(T) Tube Packing | 6-(R) RoHS Compliant |



MATRIX Tecnologia Ind. e Com. Ltda.

UNIT mm	SCALE 5:1	TITLE 2,54mm PIN HEADER HEIGHT 2,54mm 90° SMT SINGLE ROW	DATE JULY 2007
TOLERANCE: ±0.25			APP. BY
		MATL	CHK. BY
		DWG. NO.	DR. BY DIEGO

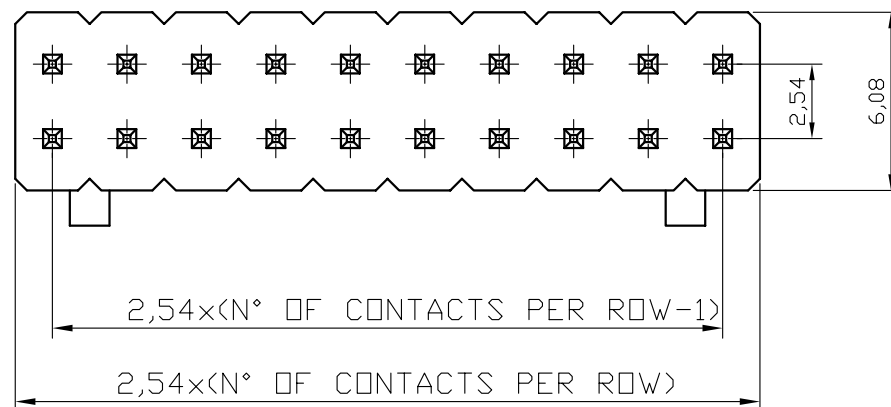
REV	ECN. NO.	APP	DATE
A	EDIÇÃO INICIAL		



HOW TO ORDER: PIN[][D][S][]SD[Y][R]

1 2 3 4 5 6

- Nr. of Ways
Single Row: 1 to 40
Double Row: 2 to 80
- Row Version:
(S)-Single Row
(D)-Double Row
- Pin Style
(S)-90°
- Terminal Plating:
(E)-Sn
(F)-FLASH Au
(A)-0,38um Au
(B)-0,76um Au
(C)-0,38um Au/Sn
(D)-0,76um Au/Sn
- Options:
(T)-Tube Packing
6-(R) RoHS Compliant



MATRIX Tecnologia Ind. e Com. Ltda.

UNIT mm	SCALE 4:1	TITLE 2,54mm PIN HEADER HEIGHT 2,54mm 90° SMT DOUBLE ROW	DATE JULY 2007
TOLERANCE: ± 0.25			APP. BY
		MATL	CHK. BY
		DWG. NO.	DR. BY DIEGO