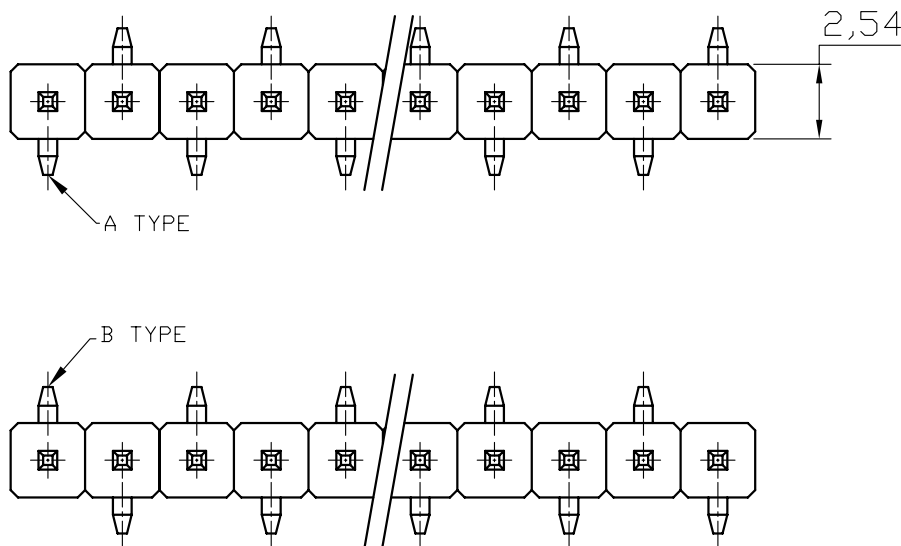
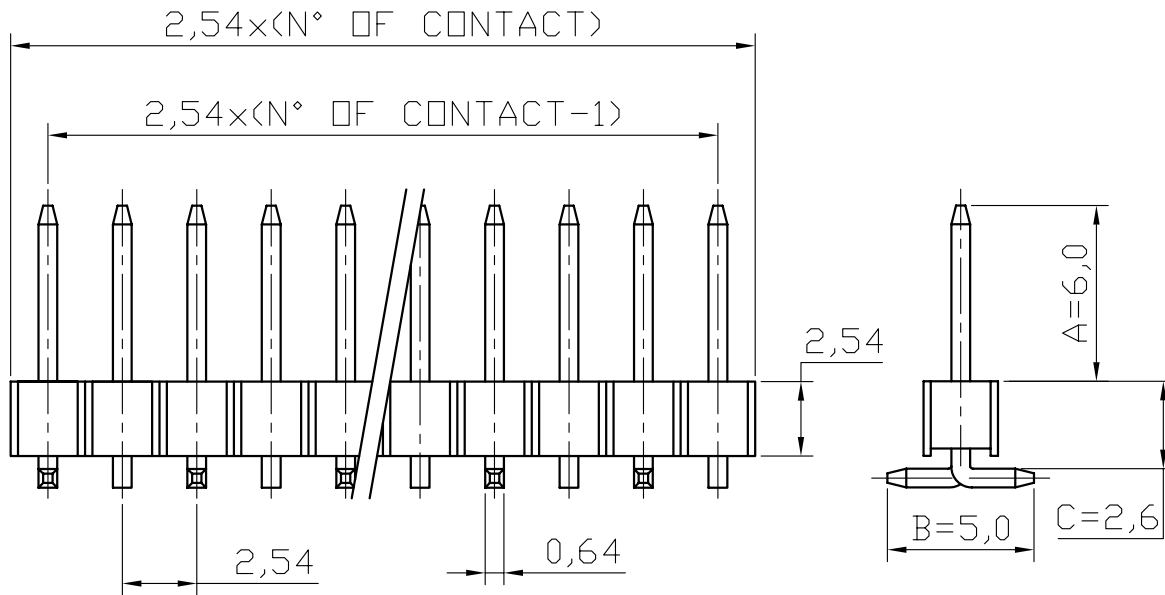


REV	ECN. NO.	APP	DATE
A	EDIÇÃO INICIAL		
B	INCLUIDO OPÇÃO "PLASTIC PACKING" NA CHAVE 6		16/08/10



HOW TO ORDER: PIN[][S][R][]SD[][][R] 1 2 3 4 5 6 7

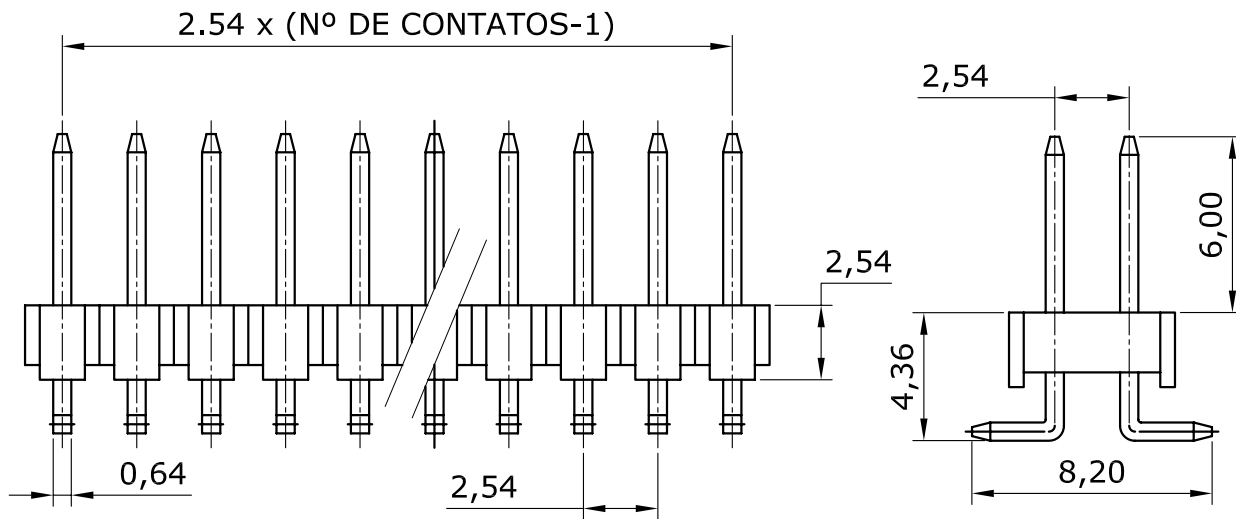
- | | |
|--|---|
| 1- Nr. of Ways
Single Row: 1 to 40
Double Row: 2 to 80 | 5- Type:
(A)-A Type
(B)-B Type |
| 2- Row Version:
(S)-Single Row
(D)-Double Row | 6- Options:
(T)-Tube Packing
(R)-Reel Packing
(C)-Cap + Tube
(Q)-Cap + Reel
()- Plastic Packing |
| 3- Pin Style
(R)-180° | 7-(R) RoHS Compliant |
| 4- Terminal Plating:
(E)-Sn
(F)-FLASH Au
(A)-0,38um Au
(B)-0,76um Au
(C)-0,38um Au/Sn
(D)-0,76um Au/Sn | |



MATRIX Tecnologia Ind. e Com. Ltda.

UNIT mm	SCALE 4:1	TITLE 2,54mm PIN HEADER HEIGHT 2,54mm 180° SMT SINGLE ROW	DATE JULY 2007
TOLERANCE: ±0.25			APP. BY
		MATL	CHK. BY
		DWG. NO.	DR. BY DINO

REV	ECN. NO.	APP	DATE
A	EDIÇÃO INICIAL		
B	INCLUIDO OPÇÃO "PLASTIC PACKING" NA CHAVE 5		16/08/10



Specification

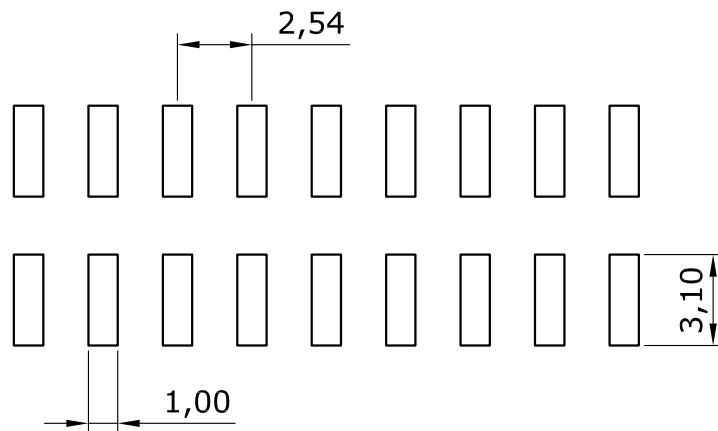
Current Rating: 3A
 Operating Temperature: -55°C to 105°C
 Contact Resistance: 20 MilliOhms max.
 Insulation Resistance: 1000 MegaOhms min.
 Withstanding Voltage: AC 1000V Rms

Material

Contact: Copper Alloys
 Housing: Nylon 6T, UL94V-0
 Reflow Temperature of 260°C for 5 seconds

HOW TO ORDER: PIN[][D][R][]SD[][R] 1 2 3 4 5 6

- | | |
|--|--|
| 1- Nr. of Ways
Single Row: 1 to 40
Double Row: 2 to 80 | 4- Terminal Plating:
(E)-Sn
(F)-FLASH Au
(A)-0,38um Au
(B)-0,76um Au
(C)-0,38um Au/Sn
(D)-0,76um Au/Sn |
| 2- Row Version:
(S)-Single Row
(D)-Double Row | 5- Options:
(T)-Tube Packing
(R)-Reel Packing
(C)-Cap + Tube
(Q)-Cap + Reel
()- Plastic Packing |
| 3- Pin Style
(R)-180° | 6- (R) RoHS Compliant |



Recommended PCB Layout



MATRIX TECNOLOGIA IND. E COM. LTDA.

UNIT	SCALE	TITLE	DATE
mm		2,54mm PIN HEADER 180° DOUBLE ROW SMT TYPE	September 2008
TOLERANCE: ±0.25			APP. BY
		MATL	CHK. BY
		DWG. NO.	DR. BY Diego