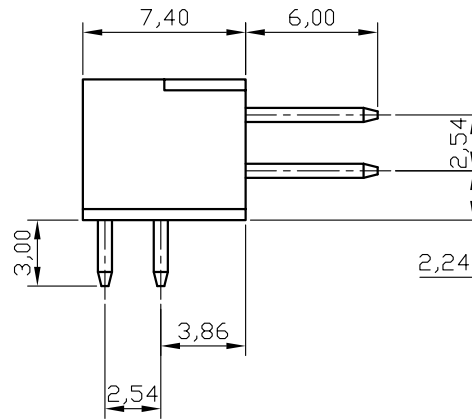
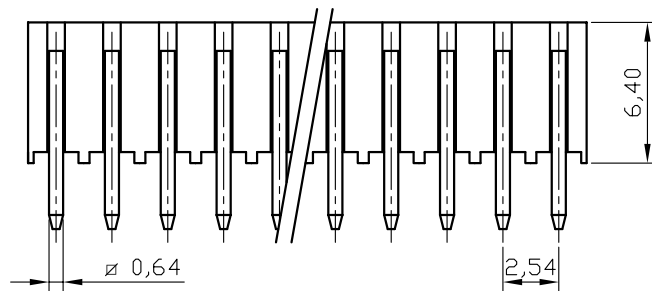


REV/	ECN. NO.	APP	DATE
A	EDIÇÃO INICIAL		

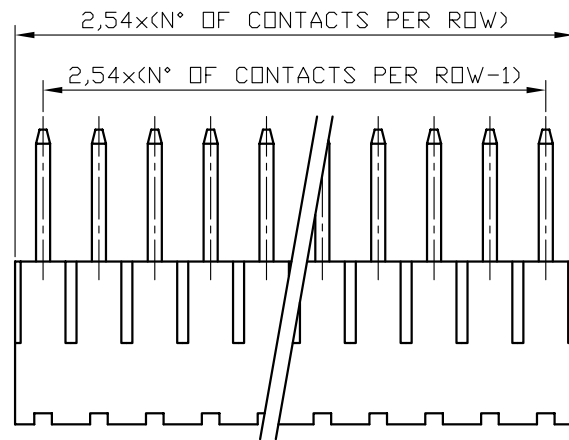


SPECIFICATIONS

Electrical
 Current Rating: 3Amp
 Dielectric Withstanding: 600V AC/DC
 Temperature Range: -40°C to +105°C
 Contact Resistance: 20mΩ max.
 Insulation Resistance: 1000MΩ min.

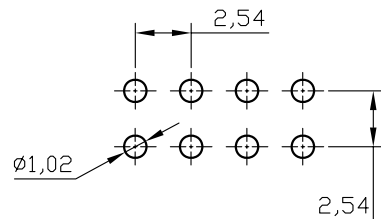
Material

Insulator: Polyester, UL94V-0, P.B.T
 Contact: Copper Alloy



HOW TO ORDER:
PIN[][D][N][][S][M][R]
1 2 3 4 5 6

- 1- Nr. of Ways
 Double Row: 2 to 80
- 2- Row Version:
 (D)-Double Row
- 3- Pin Style
 (N)-90°
 (R)-180°
- 4- Terminal Plating:
 (E)-Sn
 (F)-FLASH Au
 (A)-0,38um Au
 (B)-0,76um Au
 (C)-0,38um Au/Sn
 (D)-0,76um Au/Sn
- 5-Profile:
 (M)-7,40mm
- 6-(R) RoHS Compliant



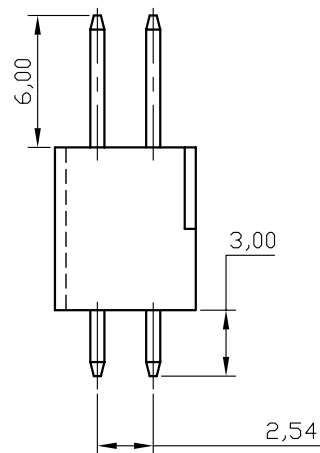
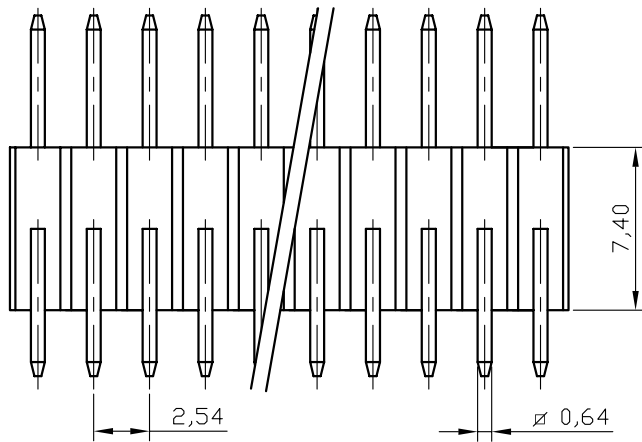
RECOMMENDED P.C. BOARD
 HOLE LAYOUT



MATRIX Tecnologia Ind. e Com. Ltda.

0.0±	SCALE	TITLE	DATE	JUNE 2007
0.00±	UNIT mm	2,54mm PIN HEADER HEIGHT	APP. BY	
0.000±		7,4mm 90° DOUBLE ROW		
	MATL	CHK. BY		
	DWG. NO.	DR. BY DIEGO		

REV/	ECN. NO.	APP	DATE
A	EDIÇÃO INICIAL		



SPECIFICATIONS

Electrical

Current Rating: 3Amp

Dielectric Withstanding: 600V AC/DC

Temperature Range: -40°C to +105°C

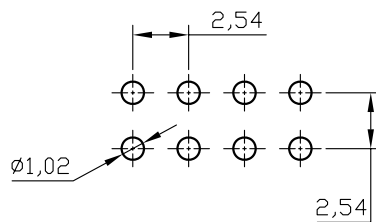
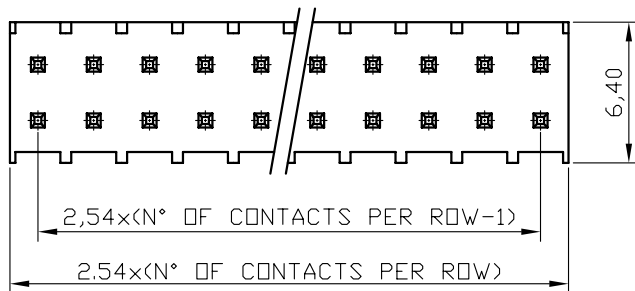
Contact Resistance: 20mΩ max.

Insulation Resistance: 1000MΩ min.

Material

Insulator: Polyester, UL94V-0, P.B.T

Contact: Copper Alloy



RECOMMENDED P.C. BOARD
HOLE LAYOUT

HOW TO ORDER: PIN[][D][R][][S][M][R] 1 2 3 4 5 6

- | | |
|---------------------------------------|--|
| 1- Nr. of Ways
Double Row: 2 to 80 | 4- Terminal Plating:
(E)-Sn
(F)-FLASH Au
(A)-0,38um Au
(B)-0,76um Au
(C)-0,38um Au/Sn
(D)-0,76um Au/Sn |
| 2- Row Version:
(D)-Double Row | 5-Profile:
(M)-7,40mm |
| 3- Pin Style
(N)-90°
(R)-180° | 6-(R) RoHS Compliant |



MATRIX Tecnologia Ind. e Com. Ltda.

0.0±	SCALE	TITLE	DATE
0.00±	UNIT mm	2,54mm PIN HEADER HEIGHT 7,4mm 180° DOUBLE ROW	JUNE 2007
0.000±			
		MATL	CHK. BY
		DWG. NO.	DR. BY DIEGO