

DIODE(THREE PHASES BRIDGE TYPE)

DF20BA40/80

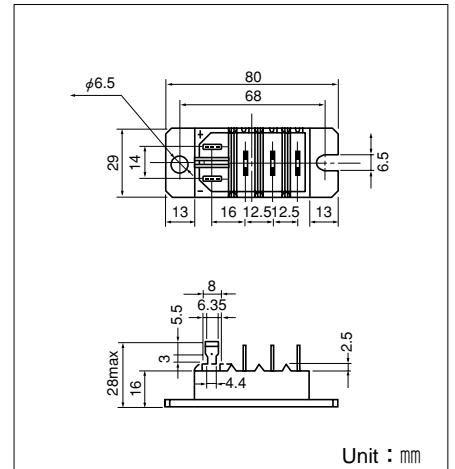
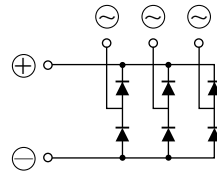
UL;E76102(M)

Power Diode Module DF20BA is designed for three phase full wave rectification, which has six diodes connected in a three phase bridge configuration. The mounting base of the module is electrically isolated from semiconductor elements for simple heatsink construction output DC current is 20Amp ($T_c=123^{\circ}\text{C}$) Repetitive peak reverse voltage is up to 800V.

- $T_{j\text{Max}}=150^{\circ}\text{C}$
- Isolated Mounting Base
- High reliability by unique glass passivation
- Easy Assemble by the #250 terminal Tab

(Applications)

AC. DC Moter Drive/AVR/Switching
—for three phase rectification



Maximum Ratings

($T_j=25^{\circ}\text{C}$ unless otherwise specified)

Symbol	Item	Ratings		Unit
		DF20BA40	DF20BA80	
V_{RRM}	Repetitive Peak Reverse Voltage	400	800	V
V_{RSM}	Non-Repetitive Peak Reverse Voltage	480	960	V

Symbol	Item	Conditions	Ratings	Unit	
I_D	Output current (D.C.)	Three phase. full wave. $T_c=123^{\circ}\text{C}$	20	A	
I_{FSM}	Surge Forward Current	1 cycle, 50/60Hz, peak value, non-repetitive	320/350	A	
T_j	Junction Temperature		-40 to +150	$^{\circ}\text{C}$	
T_{stg}	Storage Temperature		-40 to +125	$^{\circ}\text{C}$	
V_{ISO}	Isolation Breakdown Voltage (R.M.S.)	Main Terminal to case 1minute	2500	V	
	Mounting Torque	Mounting (M6)	Recommended Value 2.5-3.9 (25-40)	4.7 (48)	N·m (kgf·cm)
		Terminal	Tab Terminal # 250	—	
	Mass	Typical Value	90	g	

Electrical Characteristics

Symbol	Item	Conditions	Ratings	Unit
I_{RRM}	Repetitive Peak Reverse Current, max.	$T_j=150^{\circ}\text{C}$ at V_{RRM}	1.5	mA
V_{FM}	Forward Voltage Drop, max.	$I_{FM}=20\text{A}$, $T_j=25^{\circ}\text{C}$ Inst. measurement	1.1	V
$R_{th(j-c)}$	Thermal Impedance, max.	Junction to case	0.6	$^{\circ}\text{C}/\text{W}$

