

Current Transducer LF 205-S/SP5

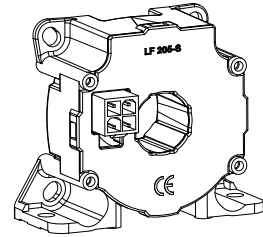
For the electronic measurement of currents: DC, AC, pulsed..., with galvanic isolation between the primary circuit and the secondary circuit.



16164



$$I_{PN} = 100 \text{ A}$$



Electrical data

I_{PN}	Primary nominal current rms	100	A				
I_{PM}	Primary current, measuring range	0 .. ± 200	A				
R_M	Measuring resistance @	$T_A = 70^\circ\text{C}$		$T_A = 85^\circ\text{C}$			
			$R_{M \min}$	$R_{M \max}$	$R_{M \min}$	$R_{M \max}$	
		with $\pm 12 \text{ V}$	@ $\pm 100 \text{ A}_{\max}$	0	95	15	94
			@ $\pm 150 \text{ A}_{\max}$	0	59	15	58
			@ $\pm 200 \text{ A}_{\max}$	0	40	15	39
		with $\pm 15 \text{ V}$	@ $\pm 100 \text{ A}_{\max}$	16	123	47	122
	@ $\pm 150 \text{ A}_{\max}$	16	78	47	77		
	@ $\pm 200 \text{ A}_{\max}$	16	55	47	54		
I_{SN}	Secondary nominal current rms	100	mA				
K_N	Conversion ratio	1 : 1000					
V_C	Supply voltage (+ 5 %)	$\pm 12 \dots 15$	V				
I_C	Current consumption @ $\pm 15 \text{ V}$	$17 + I_S$	mA				

Accuracy - Dynamic performance data

X_G	Overall accuracy @ I_{PN} , $T_A = 25^\circ\text{C}$	± 0.6	%
ε_L	Linearity error	< 0.1	%
I_O	Offset current @ $I_P = 0$, $T_A = 25^\circ\text{C}$	Typ	Max
I_{OM}	Magnetic offset current ¹⁾ @ $I_P = 0$ and specified R_M , after an overload of $3 \times I_{PN}$		± 0.2
I_{OT}	Temperature variation of I_O - $40^\circ\text{C} \dots +85^\circ\text{C}$	± 0.25	± 0.65
t_{ra}	Reaction time to 10 % of I_{PN} step	< 500	ns
t_r	Response time ²⁾ to 90 % of I_{PN} step	< 1	μs
di/dt	di/dt accurately followed	> 100	A/ μs
BW	Frequency bandwidth (- 3 dB)	DC .. 100	kHz

General data

T_A	Ambient operating temperature	- 40 .. + 85	$^\circ\text{C}$
T_S	Ambient storage temperature	- 40 .. + 90	$^\circ\text{C}$
R_S	Secondary coil resistance	@ $T_A = 70^\circ\text{C}$	10 Ω
		@ $T_A = 85^\circ\text{C}$	11 Ω
m	Mass	78	g
	Standards	EN 50155: (2001)	

Features

- Closed loop (compensated) current transducer using the Hall effect
- Isolated plastic case recognized according to UL 94-V0.

Special features

- $I_{PN} = 100 \text{ A}$
- $I_{PM} = 0 \dots \pm 200 \text{ A}$
- $K_N = 1 : 1000$
- Connection to secondary circuit on Molex Minifit Jr 5566 with gold-plated pins.

Advantages

- Excellent accuracy
- Very good linearity
- Low temperature drift
- Optimized response time
- Wide frequency bandwidth
- No insertion losses
- High immunity to external interference
- Current overload capability.

Applications

- Single or three phase inverters
- Propulsion and braking chopper
- Propulsion converter
- Auxiliary converter
- Battery charger.

Application Domain

- Traction.

Notes: ¹⁾ The result of the coercive force of the magnetic circuit

²⁾ With a di/dt of 100 A/ μs .

Current Transducer LF 205-S/SP5

Isolation characteristics

V_d	Rms voltage for AC insulation test, 50/60 Hz, 1 min	3.5	kV
\hat{V}_w	Impulse withstand voltage 1.2/50 μ s	8.8	kV
V_e	Partial discharge extinction voltage rms @ 10 pC	> 2	kV
		Min	
dCp	Creepage distance	9.5	mm
dCI	Clearance	9.5	mm
CTI	Comparative Tracking Index (group IIIa)	175	

Applications examples

According to EN 50178 and IEC 61010-1 standards and following conditions:

- Over voltage category OV 3
- Pollution degree PD2
- Non-uniform field

	EN 50178	IEC 61010-1
dCp, dCI, \hat{V}_w	Rated insulation voltage	Nominal voltage
Basic insulation	500 V	500 V
Reinforced insulation	250 V	250 V

Safety



This transducer must be used in electric/electronic equipment with respect to applicable standards and safety requirements in accordance with the manufacturer's operating instructions.



Caution, risk of electrical shock

When operating the transducer, certain parts of the module can carry hazardous voltage (eg. primary busbar, power supply).

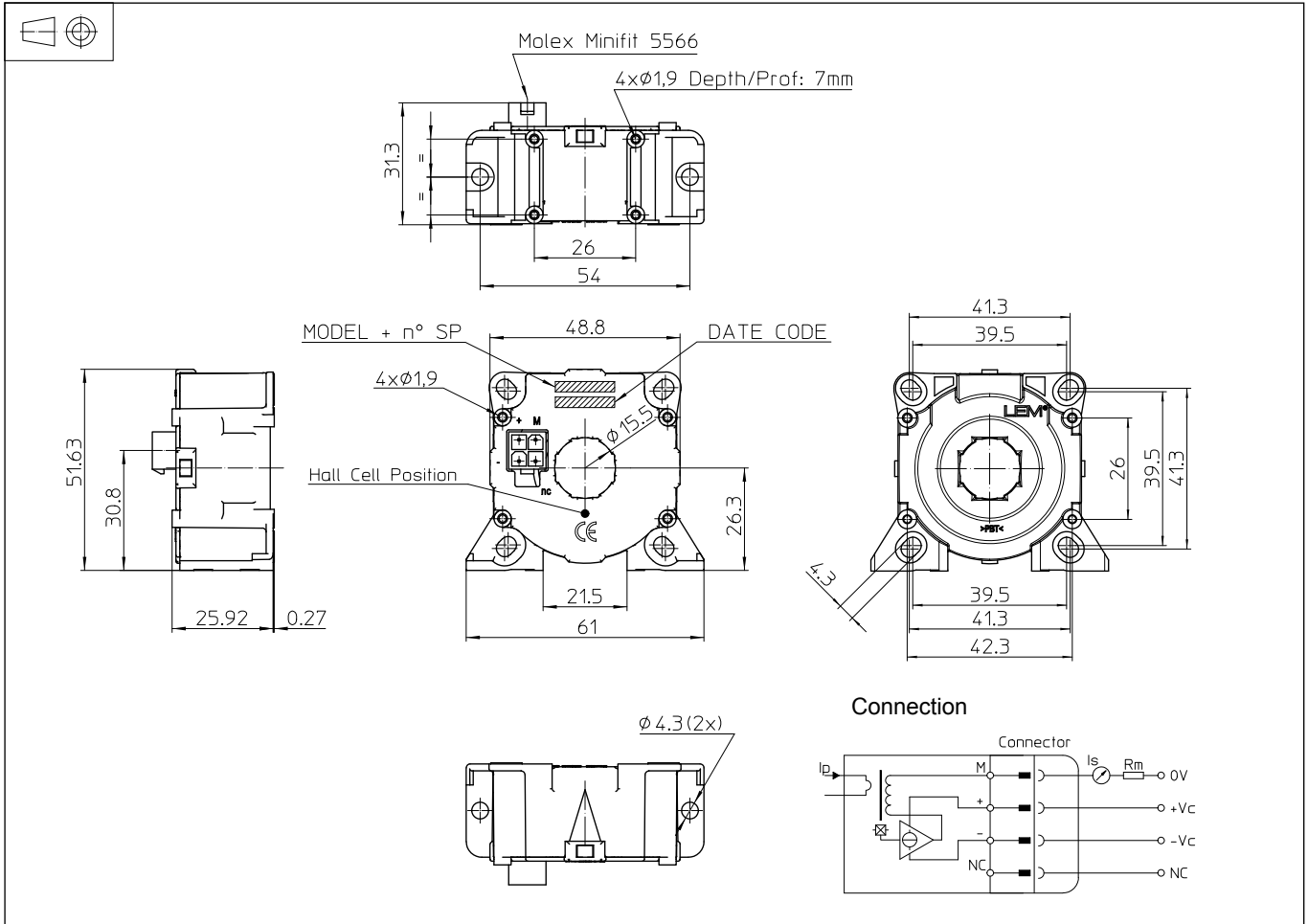
Ignoring this warning can lead to injury and/or cause serious damage.

This transducer is a build-in device, whose conducting parts must be inaccessible after installation.

A protective housing or additional shield could be used.

Main supply must be able to be disconnected.

Dimensions LF 205-S/SP5 (in mm)



Mechanical characteristics

- General tolerance ± 0.5 mm
- Transducer fastening
 - Vertical position
 - 2 holes Ø 4.3 mm
 - 2 M4 steel screws
 - Recommended fastening torque 3.2 Nm
 - Or
 - 4 holes Ø 1.9 mm
 - depth: 7 mm
 - 4 screws PTKA 25
 - length: 6 mm
 - Horizontal position
 - 4 holes Ø 4.3 mm
 - 4 M4 steel screws
 - Recommended fastening torque 3.2 Nm
 - Or
 - 4 holes Ø 1.9 mm
 - 4 screws PTKA 25
 - Recommended fastening torque 0.7 Nm
- Primary through-hole Ø 15.5 mm
- Connection of secondary Molex Minifit 5566 with gold-plated pins

Remarks

- I_s is positive when I_p flows in the direction of the arrow.
- Temperature of the primary conductor should not exceed 100°C.
- Dynamic performances (di/dt and response time) are best with a single bar completely filling the primary hole.