

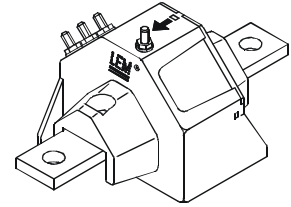
## Current Transducer LA 205-T/SP14

For the electronic measurement of currents : DC, AC, pulsed..., with a galvanic isolation between the primary circuit (high power) and the secondary circuit (electronic circuit).



0707

$$I_{PN} = 200 \text{ A}$$



### Electrical data

$I_{PN}$	Primary nominal r.m.s. current	200	A		
$I_P$	Primary current, measuring range	0 .. $\pm 600$	A		
$R_M$	Measuring resistance @ $T_A = 80^\circ\text{C}$ with $\pm 15 \text{ V}$	$R_{M \min}$	$R_{M \max}$		
				@ $\pm 200 \text{ A}_{\max}$	5
		@ $\pm 250 \text{ A}_{\max}$	5	65	$\Omega$
		@ $\pm 600 \text{ A}_{\max}$	5	6	$\Omega$
$I_{SN}$	Secondary nominal r.m.s. current	100	mA		
$K_N$	Conversion ratio	1 : 2000			
$V_C$	Supply voltage ( $\pm 10\%$ )	$\pm 15$	V		
$I_C$	Current consumption	$20 + I_S$	mA		
$V_d$	R.m.s. voltage for AC isolation test, 50 Hz, 1 mn	5 <sup>1)</sup>	kV		
		1 <sup>2)</sup>	kV		

### Accuracy - Dynamic performance data

$X_G$	Overall accuracy @ $I_{PN}, T_A = 25^\circ\text{C}$	$\pm 0.8$	%
$\mathcal{E}_L$	Linearity	$< 0.1$	%
$I_O$	Offset current @ $I_P = 0, T_A = 25^\circ\text{C}$	Typ	Max
		$\pm 0.15$	mA
		$\pm 0.50$	mA
$I_{OM}$	Residual current <sup>3)</sup> @ $I_P = 0$ , after an overload of $3 \times I_{PN}$	$\pm 0.15$	mA
$I_{OT}$	Thermal drift of $I_O$ - $25^\circ\text{C} \dots + 80^\circ\text{C}$	$\pm 0.15$	mA
$t_{ra}$	Reaction time @ 10 % of $I_{P \max}$	$< 500$	ns
$t_r$	Response time <sup>4)</sup> @ 90 % of $I_{P \max}$	$< 1$	$\mu\text{s}$
$di/dt$	$di/dt$ accurately followed	$> 100$	A/ $\mu\text{s}$
$f$	Frequency bandwidth (- 3 dB)	DC .. 100	kHz

### General data

$T_A$	Ambient operating temperature	- 25 .. + 80	$^\circ\text{C}$
$T_S$	Ambient storage temperature	- 40 .. + 85	$^\circ\text{C}$
$R_S$	Secondary coil resistance @ $T_A = 80^\circ\text{C}$	36	$\Omega$
$m$	Mass	270	g
	Standards	EN 50155	

Notes : 1) Between primary and secondary + shield

2) Between secondary and shield

3) The result of the coercive field of the magnetic circuit

4) With a  $di/dt$  of 100 A/ $\mu\text{s}$ .

### Features

- Closed loop (compensated) current transducer using the Hall effect
- Isolated plastic case recognized according to UL 94-V0.

### Special features

- $I_P = 0 \dots \pm 600 \text{ A}$
- $V_C = \pm 15 (\pm 10\%) \text{ V}$
- $V_d = 5 \text{ kV}^{1)}$
- $T_A = - 25^\circ\text{C} \dots + 80^\circ\text{C}$
- Shield between primary and secondary
- Connection to secondary circuit on M4 threaded studs
- Potted
- VRT Burn-in
- Railway equipment.

### Advantages

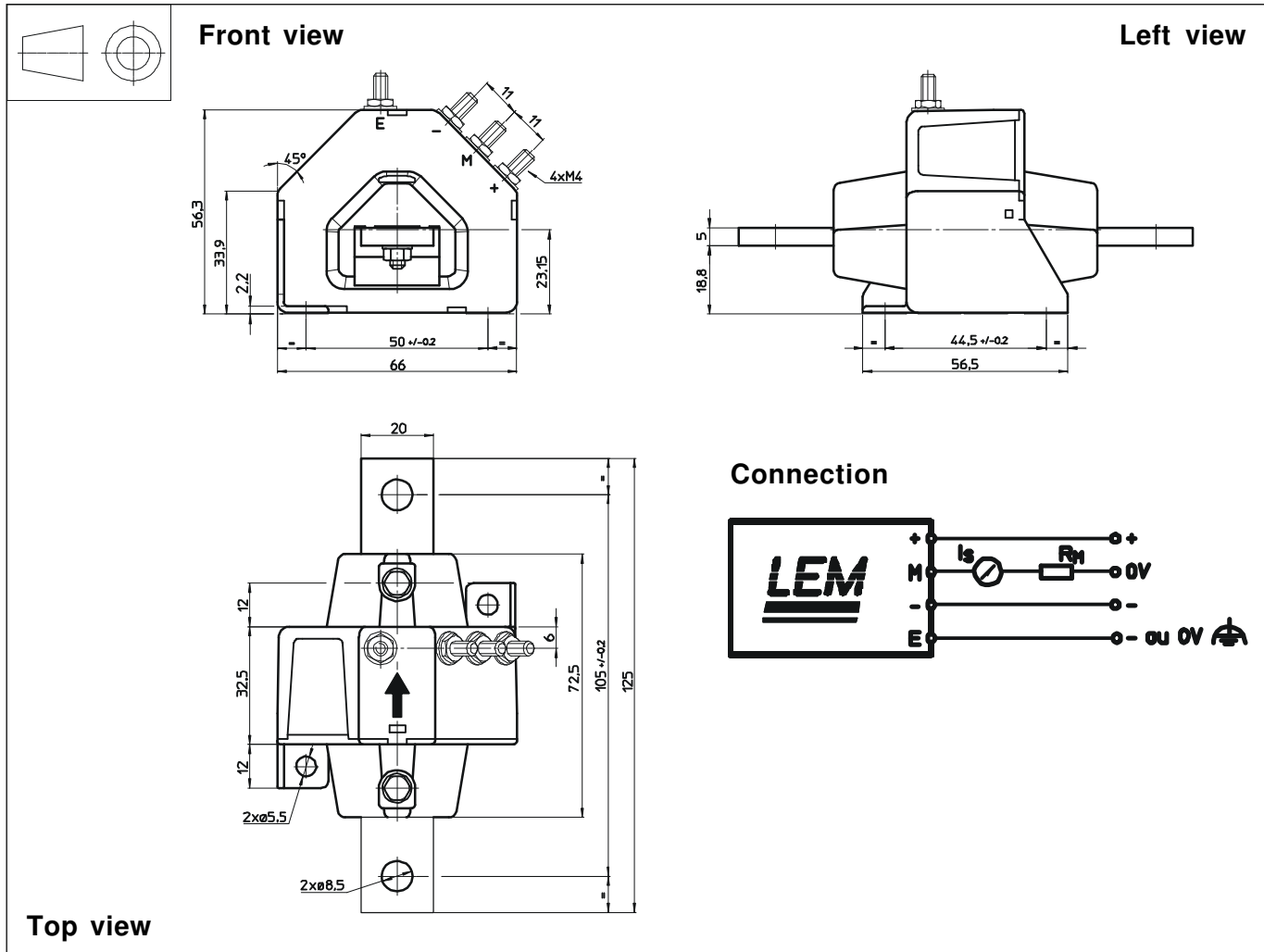
- Excellent accuracy
- Very good linearity
- Low temperature drift
- Optimized response time
- Wide frequency bandwidth
- No insertion losses
- High immunity to external interference
- Current overload capability.

### Applications

- AC variable speed drives and servo motor drives
- Static converters for DC motor drives
- Battery supplied applications
- Uninterruptible Power Supplies (UPS)
- Switched Mode Power Supplies (SMPS)
- Power supplies for welding applications.

070301/5

## Dimensions LA 205-T/SP14 (in mm. 1 mm = 0.0394 inch)



### Mechanical characteristics

- General tolerance  $\pm 0.5$  mm
- Transducer Fastening
  - 2 holes  $\varnothing 5.5$  mm
  - 2 M5 steel screws
  - Fastening torque max. 4 Nm or 2.95 Lb. - Ft.
  - Or
  - By the primary bar
- Connection of secondary
  - 2 holes  $\varnothing 8.5$  mm
  - M4 threaded studs
  - Fastening torque 1.2 Nm or .88 Lb.-Ft.

### Remarks

- $I_s$  is positive when  $I_p$  flows in the direction of the arrow.
- Temperature of the primary conductor should not exceed 100 °C.