

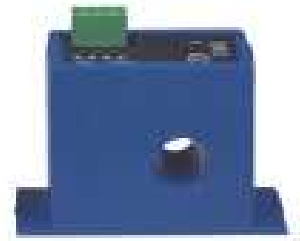
DC current transducer DK-C420 B

Solid core transducer for the electronic measurement of bidirectional DC current, with galvanic isolation between the primary (high power) and the secondary circuit (electronic circuit).

4-20 mA output current proportional to measured current.



$$I_{PN} = 5 \dots 100 \text{ A}$$



Electrical data

Primary nominal current I_{PN} (At)	Output current I_{OUT} (mA)	Types	RoHS since date code ¹⁾
5, 10, 20	4-20	DK 20 C420 B	0647
50, 75, 100	4-20	DK 100 C420 B	0648
V_C	Supply voltage	20-50	V DC
R_L	Load resistance (max)	500	Ω
I_{SL}	Output current limitation	23	mA
BW	Frequency bandwidth	DC	Hz
I_C	Current consumption (max)	100	mA

Accuracy - Dynamic performance data

X	Accuracy, $T_A = 25^\circ\text{C}$	± 1	% of FS
ϵ_L	Linearity error	± 0.75	% of I_{PN}
t_r	Response time to 90 % of I_{PN} step	< 20	ms

General data

T_A	Ambient operating temperature (0-95% RH)	- 20 .. + 50	$^\circ\text{C}$
T_S	Ambient storage temperature	- 20 .. + 85	$^\circ\text{C}$
m	Mass	120	g
IPxx	Protection degree	IP 20	
	Standards	Safety IEC 61010-1: 2001 EMC ²⁾ IEC 61326-1: 2005	

Notes: ¹⁾ The 4-digit date code (yyww) indicates the manufacturing year (first 2 digits) and week (last 2 digits)

²⁾ For IEC 61000-4-3, IEC 61000-4-6 and IEC 61000-4-4
Criterion B: temporary impairment to operational behavior.

Features

- DC bipolar measurement (magnitude and direction)
- Solid core case
- Three selectable primary ranges
- Industry standard 4-20 mA current output
- Panel mouting
- Isolated plastic case recognized according to UL 94-V0.

Advantages

- Large aperture
- Extended measuring range
- High isolation between primary and secondary circuits
- Easy to mount, lower installation costs
- No insertion loss (voltage drop).

Applications

- **Battery banks**
Load current monitoring
Charging current monitoring
Operation supervision
- **Power supplies**
DC power or auxiliary loads measurement
- **Electric heating elements**
Faster response than temperature sensors.

Application domain

- Energy & Automation.

DC current transducer DK-C420 B

Isolation characteristics

V_d	Rms voltage for AC isolation test ¹⁾ , 50 Hz, 1 min	3 kV
V_b	Rated isolation voltage rms ²⁾ , reinforced isolation, CAT III, PD2	150 V

Notes: ¹⁾ Between primary (completely filling the primary aperture) and secondary
²⁾ If insulated cable is used for the primary circuit, the voltage category could be improved according to the insulation characteristics given by the cable manufacturer. For example:

Cable isolation: (primary)	Category:
HAR 05	600 V CAT III
HAR 07	1000 V CAT III

Safety and warning notes

In order to guarantee safe operation of the transducer and to be able to make proper use of all features and functions, please read these instructions thoroughly! Safe operation can only be guaranteed if the transducer is used for the purpose it has been designed for and within the limits of the technical specifications. Ensure you get up-to-date technical information that can be found in the latest associated datasheet under www.lem.com.



Caution! Risk of danger

Ignoring the warnings can lead to serious injury and/or cause damage! The electric measuring transducer may only be installed and put into operation by qualified personnel that have received an appropriate training.

The corresponding national regulations shall be observed during installation and operation of the transducer and any electrical conductor. The transducer shall be used in electric/electronic equipment with respect to applicable standards and safety requirements and in accordance with all the related systems and components manufacturer' operating instructions.



Caution, Risk of electrical shock

When operating the transducer, certain parts of the module may carry hazardous live voltage (eg. primary conductor, power supply). The user shall ensure to take all measures necessary to protect against electrical shock.

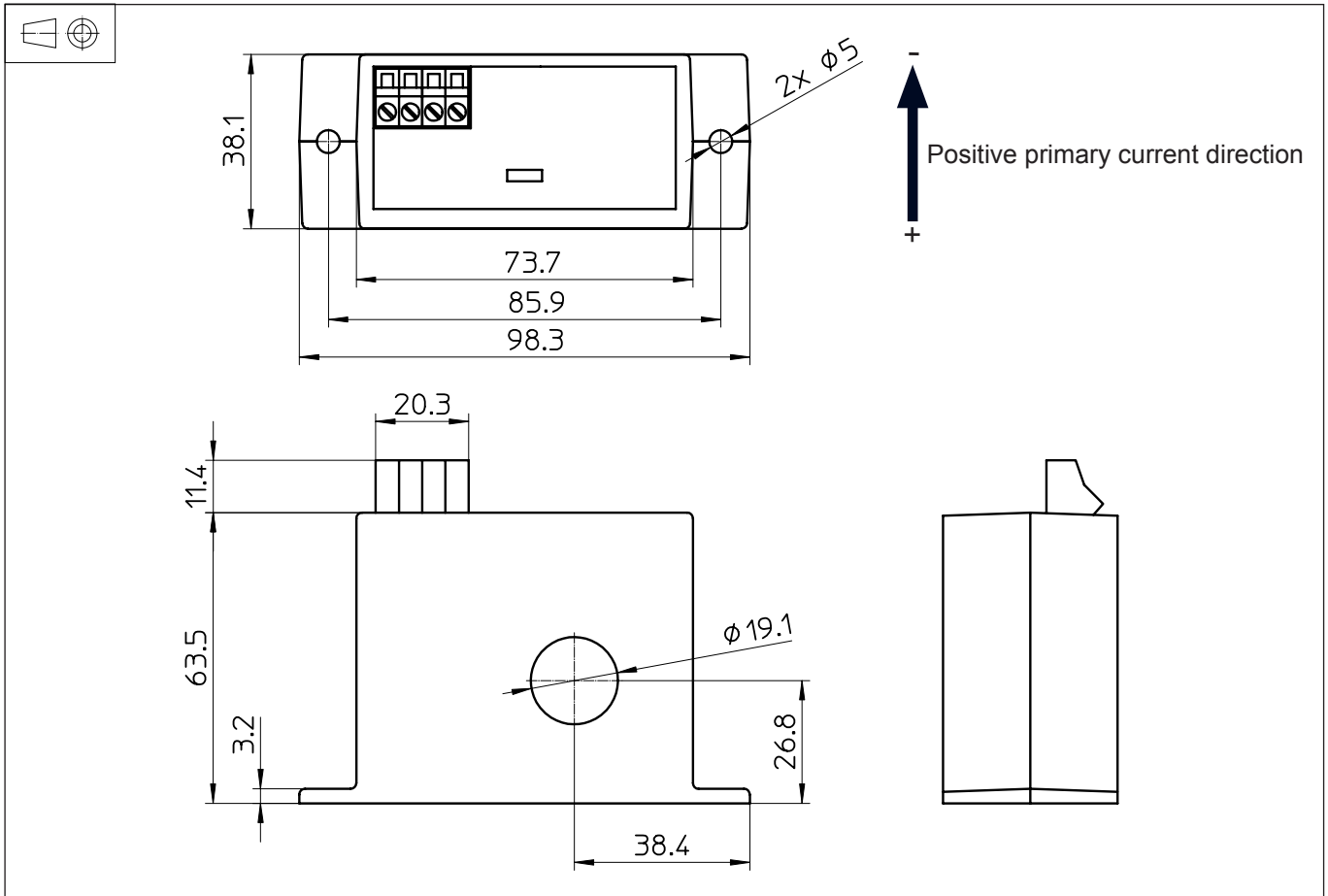
The transducer is a build-in device containing conducting parts that shall not be accessible after installation.

A protective enclosure or additional insulation barrier may be necessary. The transducer shall not be put into operation if the jaw opening is open (split core version) or the installation is not completed.

Installation and maintenance shall be done with the main power supply disconnected except if there are no hazardous live parts in or in close proximity to the system and if the applicable national regulations are fully observed.

Safe and trouble-free operation of this transducer can only be guaranteed if transport, storage and installation are carried out correctly and operation and maintenance are carried out with care.

Dimensions DK-C420 B (in mm)

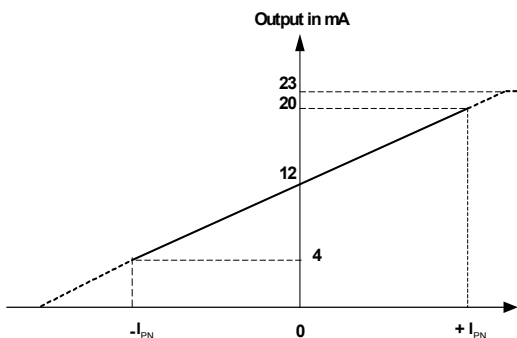


Mechanical characteristics

- General tolerance ± 1 mm
- Primary aperture $\text{Ø } 19.1$ mm
- Transducer fastening
 - Panel mounting 2 holes $\text{Ø } 5$ mm
 - Distance between holes centers 85.9 mm
 - Recommended fastening torque $0.8 \text{ Nm} \pm 20 \%$

Transfer characteristics

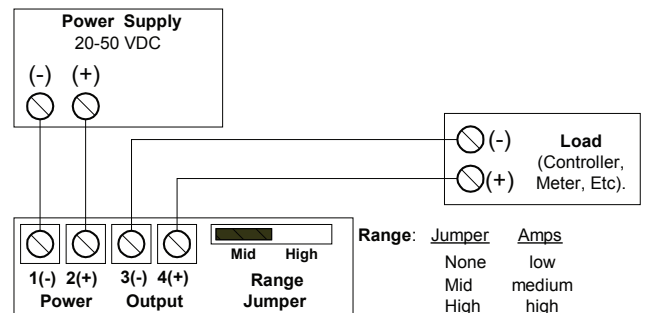
- DC bipolar measurement ¹⁾ (magnitude and direction ²⁾)



Notes: ¹⁾ The performance specified in the datasheet is valid within the 4-20 mA output range only
²⁾ See arrow in the above diagram (dimensions).

Connections

- Top-mounted screw terminals
- 12-22AWG solid or stranded
- Observe polarity
- Output loop is powered by DK transducer
No loop power supply required



Option on request

- DIN rail adaptor (ref.: F2.90.98.000.1), 2 pieces required per transducer.

Remark

- Temperature of the primary conductor should not exceed 60°C .