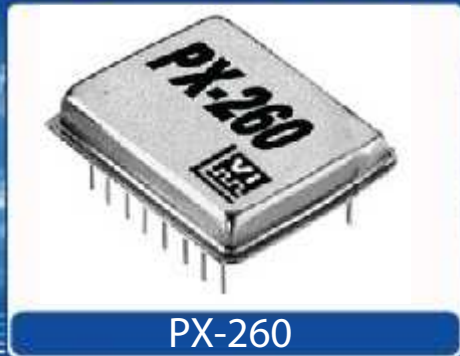


Helping Customers Innovate, Improve & Grow



### Features

- Hybrid Design
- Frequency Range: 4 MHz to 700 MHz
- Previous Model: CO-434, CO-454, CO-484

### Performance Specifications

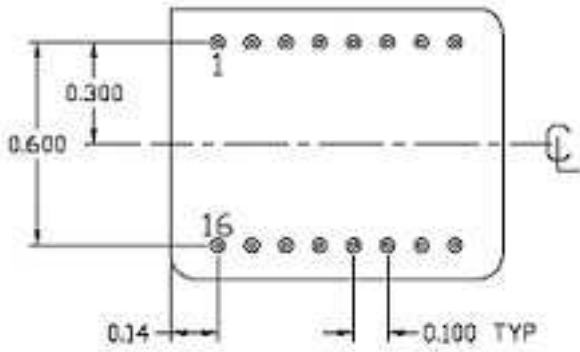
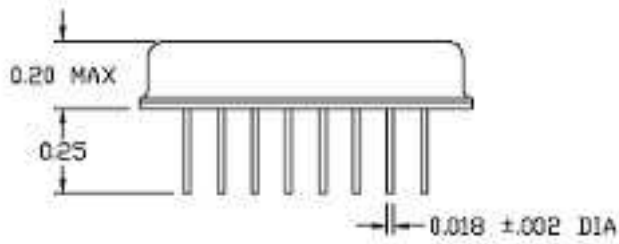
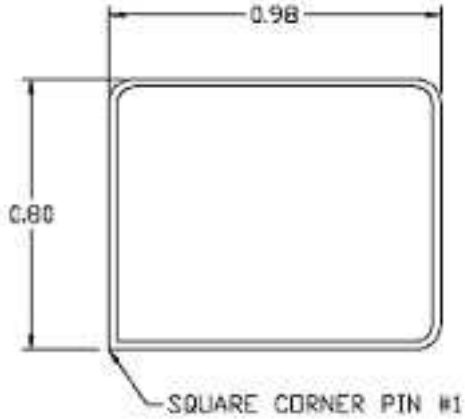
Parameter	Min	Typ	Max	Units	Condition
<b>Frequency Stabilities<sup>1</sup></b>					
vs. operating temperature range (referenced to +25°C)	-10		+10	ppm	0... +50°C
	-25		+25	ppm	0... +70°C
	-50		+50	ppm	-55... +85°C
	-50		+50	ppm	-55... +125°C
	-100		+100	ppm	-55... +125°C
Initial tolerance	-50		+50	ppm	@+25°C
	-25		+25	ppm	@+25°C
	-15		+15	ppm	@+25°C
	-10		+10	ppm	@+25°C
vs. aging / 1 year	-3		+3	ppm	after 30 days of operation
vs. aging / year (following years)	-2		+2	ppm	
<b>Supply Voltage (Vs)</b>					
Supply voltage (Standard)	14.25	15.0	15.75	VDC	
Supply voltage	-4.94	-5.2	-5.46	VDC	
Supply voltage	-4.275	-4.5	-4.725	VDC	
Supply voltage	2.97	3.3	3.63	VDC	
Current			45	mA	to 110 MHz @ -5.2V above 110 MHz @ -5.2V @ -4.5V; 3.3V
			70	mA	
			60	mA	

## Performance Specifications

Parameter	Min	Typ	Max	Units	Condition
<b>RF Output</b>					
Output	Output taken directly from 10K, 10KH, ECLinPS or ECLinPS Lite gate, depending on temperature and frequency range. Complementary outputs standard				@ -5.2V
Output	Output taken directly from 100K, ECLinPS or ECLinPS Lite gate, depending on temperature and frequency range. Complementary outputs standard.				@ -4.5V
Output	+7 +13			dBm dBm	@ +15V (custom number required)
Output	100K PECL with complementary outputs				@ 3.3V
<b>Additional Parameters<sup>1</sup></b>					
Phase Noise <sup>3</sup> (typical 100 MHZ)			-100 -125 -140 -145	dBc/Hz dBc/Hz dBc/Hz dBc/Hz	100 Hz 1 kHz 10 kHz 50 kHz

<b>Screen Testing of Above Models</b>				
SCREEN TEST	MIL-STD-883 METHOD	Standard	Options	
		CLASS "X"	CLASS "B"	CLASS "S"
Stabilization Bake (150°C)	—	X	X	Class S screen test requirements include 24 hour additional bake-out, 80 hour additional burn-in, thermal shock, PIND test and radiographic inspection in addition to Class B Screening. Has major cost impact.
Seal Test (Gross and Fine)	1014, Cond A2	X	X	
Temperature Cycling (Thermal Shock)	1010, Cond B		X	
Burn-in, operating 160 hours @125°C	—		X	
Acceleration (5000g in Y1 axis)	2001, Cond A		X	

# Outline Drawing / Enclosure



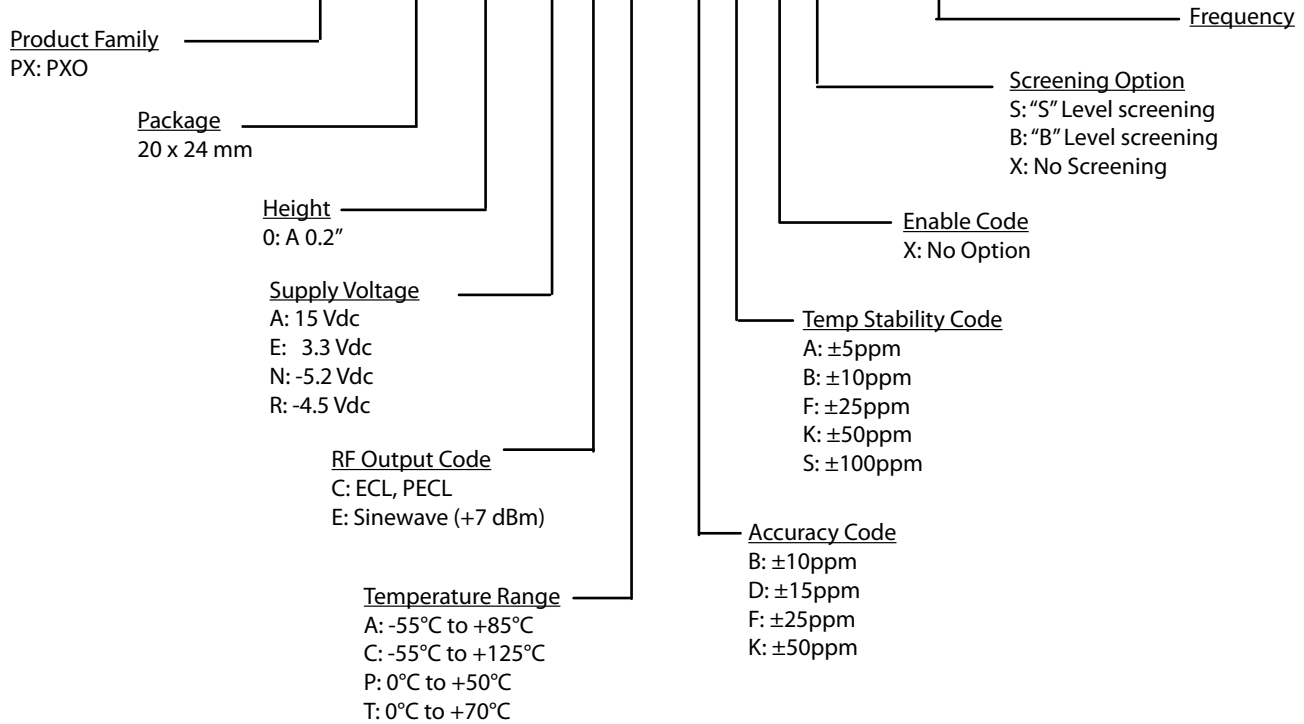
Dimensions in inches

Code	Height "H"	Pin Length "L"
0	0.20	0.25

Pin Connections	
8	Supply
9	RF Output
10	Complimentary RF Output
11	Ground (Case)
16	Ground (Case)
others	No Connection

## Ordering Information

### PX - 260 0 - N C T - F K X S - 10M0000000



**Notes:**

1. Contact factory for improved stabilities or additional product options. Not all options and codes are available at all frequencies.
2. Unless other stated all values are valid after warm-up time and refer to typical conditions for supply voltage, frequency control voltage, load, temperature (25°C).
3. Phase noise degrades with increasing output frequency.
4. Subject to technical modification.
5. Contact factory for availability.

## For Additional Information, Please Contact

**USA:**

Vectron International  
267 Lowell Road  
Hudson, NH 03051  
Tel: 1.888.328.7661  
Fax: 1.888.329.8328

**Europe:**

Vectron International  
Landstrasse, D-74924  
Neckarbischofsheim, Germany  
Tel: +49 (0) 3328.4784.17  
Fax: +49 (0) 3328.4784.30

**Asia:**

Vectron International  
1F-2F, No 8 Workshop, No 308 Fenju Road  
WaiGaoQiao Free Trade Zone  
Pudong, Shanghai, China 200131  
Tel: 86.21.5048.0777  
Fax: 86.21.5048.1881

**Disclaimer**

Vectron International reserves the right to make changes to the product(s) and or information contained herein without notice. No liability is assumed as a result of their use or application. No rights under any patent accompany the sale of any such product(s) or information.

Rev: 3/22/2012dab