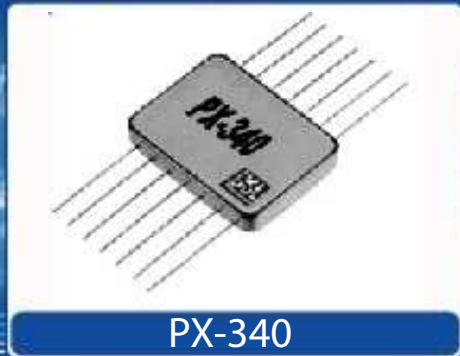


Helping Customers Innovate, Improve & Grow


PX-340
Features

- Miniature Hybrid Design
- 14 Pin Flatpack
- Frequency Range: 1 HZ to 700 MHZ
- Previous Model: CO-407, CO-447, CO-437, CO-457

Applications
Performance Specifications

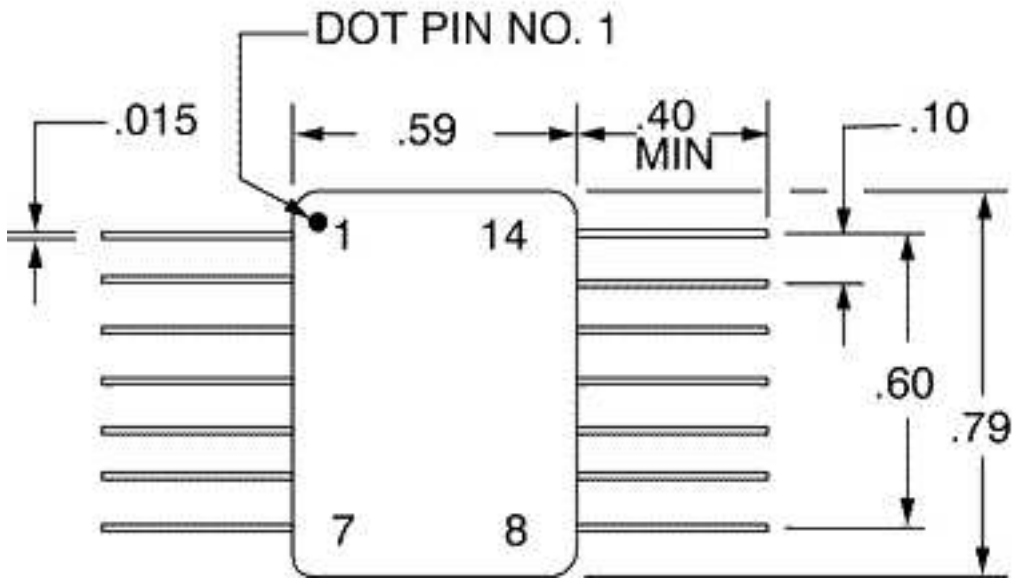
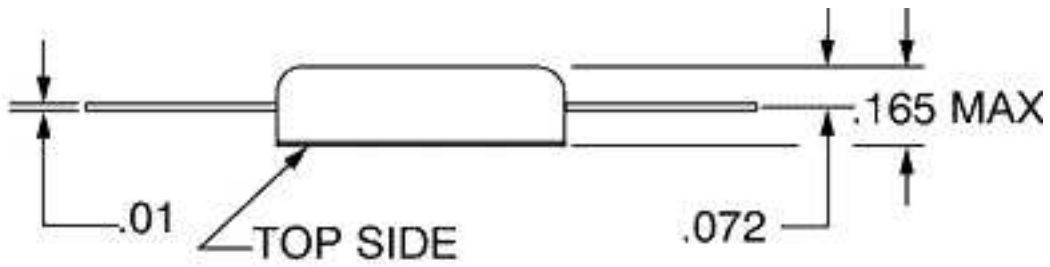
| Parameter | Min | Typ | Max | Units | Condition |
|--|-------|------|-------|-------|---|
| Frequency Stabilities¹ | | | | | |
| vs. operating temperature range (referenced to +25°C) | -5 | | +5 | ppm | 0... +50°C |
| | -10 | | +10 | ppm | 0... +50°C |
| | -25 | | +25 | ppm | 0... +70°C (standard) |
| | -50 | | +50 | ppm | -55... +85°C |
| | -50 | | +50 | ppm | -55... +125°C |
| | -100 | | +100 | ppm | -55... +125°C |
| | -300 | | +300 | ppm | -55... +200°C (custom number required) |
| Initial tolerance | -50 | | +50 | ppm | @+25°C |
| | -25 | | +25 | ppm | @+25°C |
| | -15 | | +15 | ppm | @+25°C |
| | -10 | | +10 | ppm | @+25°C |
| | -1 | | +1 | ppm | Set via external capacitor (custom number required) |
| vs. aging / 1 year | -3 | | +3 | ppm | after 30 days of operation |
| vs. aging / year (following years) | -2 | | +2 | ppm | |
| Supply Voltage (Vs) | | | | | |
| Supply voltage (Standard) | 4.75 | 5.0 | 5.25 | VDC | |
| Supply voltage (Option) | 3.135 | 3.3 | 3.465 | VDC | below 20 MHz |
| Supply voltage | | -5.2 | | VDC | @< 45 mA to 110 MHz, @< 70 mA above 110 MHz |
| Supply voltage | | -4.5 | | VDC | @< 60 mA |

Performance Specifications

| Parameter | Min | Typ | Max | Units | Condition |
|------------------|--------------|-----|----------|------------|---|
| RF Output | | | | | |
| Signal | ECL/PECL | | | | |
| Output | | | | | Output taken directly from 10K, 10KH, 110K, ECLinPS or ECLinPS Lite gate, depending on temperature and frequency range. Complementary outputs optional. |
| Signal | ACMOS, HCMOS | | | | |
| Signal | TTL | | | | |
| "0" Level | | | 0.4 | V | |
| "1" Level | +2.4 | | | V | |
| Rise / Fall Time | 2 | | 15 5 | ns ns | @ (0.5-2.4V), <= 20 MHZ @ (0.5-2.4V), > 20 MHZ |
| Symmetry | 45 40 | | 55 60 | dBm dBm | @+1.5 V, < 4 MHZ @+1.5 V, >= 4 MHZ |

| Screen Testing of Above Models | | | | |
|---------------------------------------|--------------------|----------|---------|---|
| SCREEN TEST | MIL-STD-883 METHOD | Standard | Options | |
| | | CLASS X | CLASS B | CLASS S |
| Stabilization Bake (150°C) | — | X | X | Class S screen test requirements include 24 hour additional bake-out, 80 hour additional burn-in, thermal shock, PIND test and radiographic inspection in addition to Class B Screening. Has major cost impact. |
| Seal Test (Gross and Fine) | 1014, Cond A2 | X | X | |
| Temperature Cycling (Thermal Shock) | 1010, Cond B | | X | |
| Burn-in, operating 160 hours @125°C | — | | X | |
| Acceleration (5000g in Y1 axis) | 2001, Cond A | | X | |

Outline Drawing / Enclosure



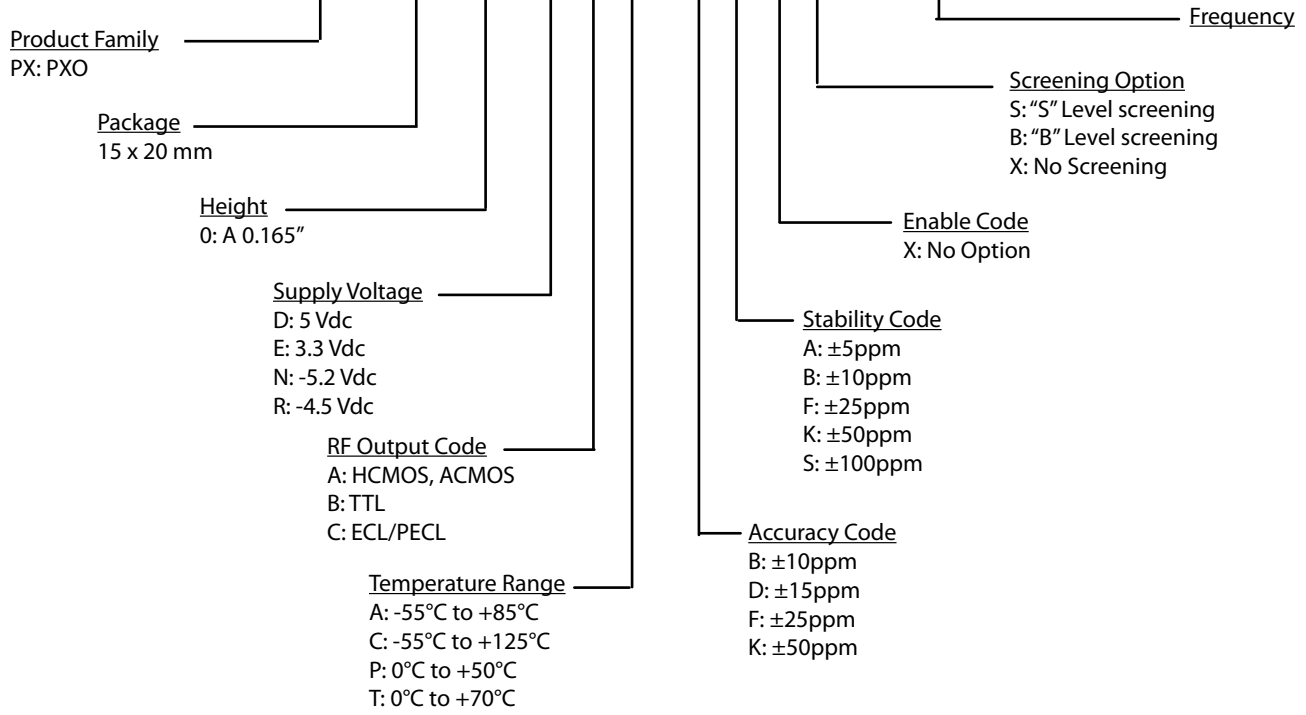
Dimensions in inches

| Type A | | |
|--------|------------|----------------|
| Code | Height "H" | Pin Length "L" |
| 0 | 0.165 | 0.4 |

| Pin Connections | |
|-----------------|------------|
| 1 | No Connect |
| 7 | Ground |
| 8 | Output |
| 14 | Supply |

Ordering Information

PX - 340 0 - A A T - E K X S - 10M000000



Notes:

1. Contact factory for improved stabilities or additional product options. Not all options and codes are available at all frequencies.
2. Unless other stated all values are valid after warm-up time and refer to typical conditions for supply voltage, frequency control voltage, load, temperature (25°C).
3. Phase noise degrades with increasing output frequency.
4. Subject to technical modification.
5. Contact factory for availability.

For Additional Information, Please Contact

USA:

Vectron International
 267 Lowell Road
 Hudson, NH 03051
 Tel: 1.888.328.7661
 Fax: 1.888.329.8328

Europe:

Vectron International
 Landstrasse, D-74924
 Neckarbischofsheim, Germany
 Tel: +49 (0) 3328.4784.17
 Fax: +49 (0) 3328.4784.30

Asia:

Vectron International
 1F-2F, No 8 Workshop, No 308 Fenju Road
 WaiGaoQiao Free Trade Zone
 Pudong, Shanghai, China 200131
 Tel: 86.21.5048.0777
 Fax: 86.21.5048.1881

Disclaimer

Vectron International reserves the right to make changes to the product(s) and or information contained herein without notice. No liability is assumed as a result of their use or application. No rights under any patent accompany the sale of any such product(s) or information.

Rev: 3/2/2011 dab