

Voltage Transducer LV 100-750/SP8

For the electronic measurement of voltages: DC, AC, pulsed..., with galvanic isolation between the primary circuit (high voltage) and the secondary circuit (electronic circuit).



Electrical data

V_{PN}	Primary nominal voltage rms	750	V
V_{PM}	Primary voltage, measuring range	0 .. ± 1300	V
I_{PN}	Primary nominal current rms	13.33	mA
R_M	Measuring resistance	$R_{M \min}$ $R_{M \max}$	
	with ± 15 V	@ ± 750 V _{max}	0 210 Ω
		@ ± 1300 V _{max}	0 100 Ω
I_{SN}	Secondary nominal current rms	50	mA
K_N	Conversion ratio	750 V : 50 mA	
V_C	Supply voltage (± 5 %)	± 15	V
I_C	Current consumption	$< 32 + I_s$	mA

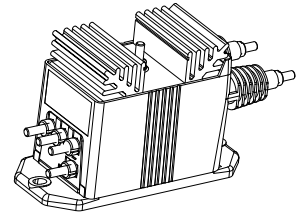
Accuracy - Dynamic performance data

X_G	Overall accuracy @ V_{PN} , $T_A = 25^\circ\text{C}$	± 0.9	%
ϵ_L	Linearity error	< 0.1	%
I_O	Offset current @ $I_p = 0$, $T_A = 25^\circ\text{C}$	Typ	± 0.2 mA
		Max	± 0.2 mA
I_{OT}	Temperature variation of I_O - $25^\circ\text{C} \dots +70^\circ\text{C}$	± 0.4	± 0.6 mA
		± 0.6	± 1.0 mA
t_r	Response time to 90 % of V_{PN} step	40	μs

General data

T_A	Ambient operating temperature	- 40 .. + 80	$^\circ\text{C}$
T_S	Ambient storage temperature	- 40 .. + 85	$^\circ\text{C}$
N_P	Turns ratio	7500 : 2000	
P	Total primary power loss	10	W
R_1	Primary resistance @ $T_A = 25^\circ\text{C}$	56.25	k Ω
R_S	Secondary coil resistance @ $T_A = 80^\circ\text{C}$	60	Ω
m	Mass	790	g
	Standards	EN 50155: 1995	

$$V_{PN} = 750 \text{ V}$$



Features

- Closed loop (compensated) voltage transducer using Hall effect
- Isolated plastic case recognized according to UL 94-V0
- Primary resistor R_1 incorporated within the housing.

Special features

- $V_C = \pm 15$ (± 5 %) V
- $T_A = -40^\circ\text{C} \dots +80^\circ\text{C}$
- Shield between primary and secondary
- Connection primary and secondary circuit on M5 threaded studs.

Advantages

- Excellent accuracy
- Very good linearity
- Low temperature drift
- Optimized response time
- Wide frequency bandwidth
- No insertion losses
- High immunity to external interference.

Applications

- Single or three phase inverter
- Propulsion and braking chopper
- Propulsion converter
- Auxiliary converter
- Battery charger.

Application Domain

- Traction.

Voltage Transducer LV 100-750/SP8

Isolation characteristics

V_d	Rms voltage for AC isolation test, 50 Hz, 1 min	6 ¹⁾	kV
		1 ²⁾	kV
		Min	
dCp	Creepage distance	164.8	mm
dCl	Clearance distance	47.1	mm
CTI	Comparative Tracking Index (group I)	600	

Notes: ¹⁾ Between primary and secondary + shield

²⁾ Between secondary and shield.

Safety



This transducer must be used in electric/electronic equipment with respect to applicable standards and safety requirements in accordance with the manufacturer's operating instructions.



Caution, risk of electrical shock

When operating the transducer, certain parts of the module can carry hazardous voltage (eg. primary busbar, power supply).

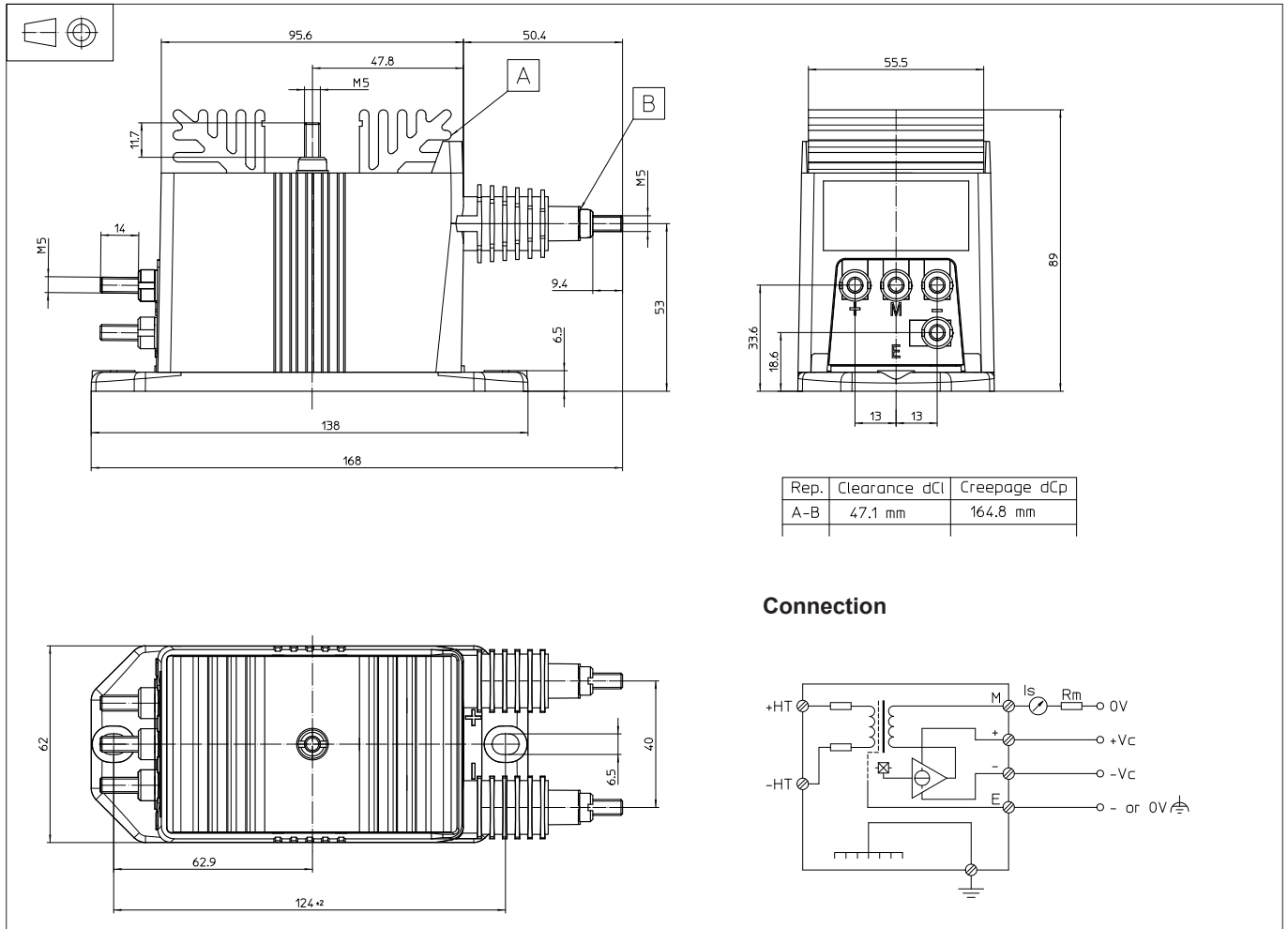
Ignoring this warning can lead to injury and/or cause serious damage.

This transducer is a build-in device, whose conducting parts must be inaccessible after installation.

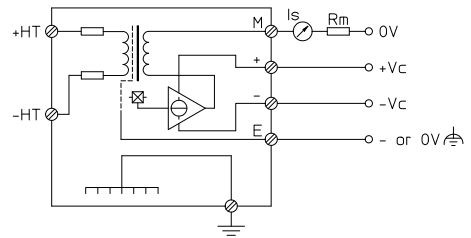
A protective housing or additional shield could be used.

Main supply must be able to be disconnected.

Dimensions LV 100-750/SP8 (in mm)



Connection



Mechanical characteristics

- General tolerance ± 0.3 mm
- Transducer fastening 2 holes $\varnothing 6.5$ mm,
2 M6 steel screws
- Recommended fastening torque 5 Nm
- Connection of primary M5 threaded studs
- Connection of secondary M5 threaded studs
- Connection of ground M5 threaded stud
- Recommended fastening torque 2.2 Nm

Remarks

- I_s is positive when V_p is applied on terminal +HT.
- The primary circuit of the transducer must be linked to the connections where the voltage has to be measured.