

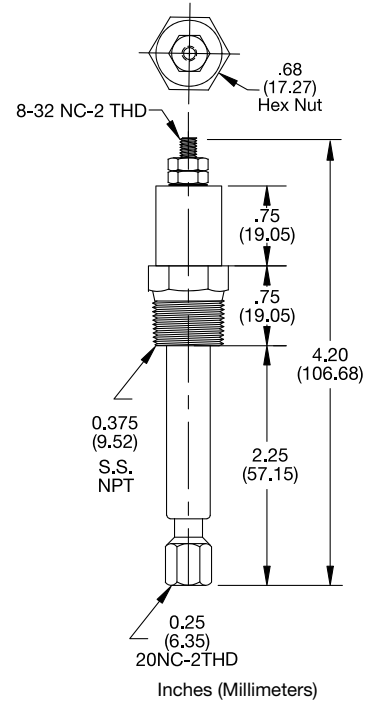
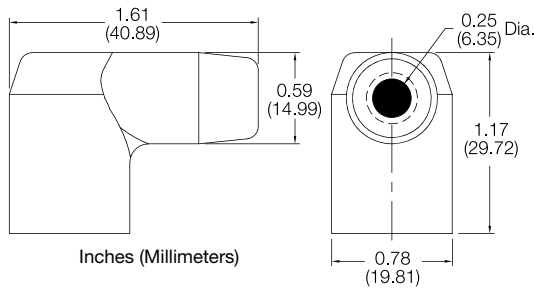


## Liquid Level Control Electrodes

### Description

Designed for use with all conductive liquid level controls. Composed of insulators and metal parts made of number 300 series stainless steel. These internally conductive probe holders are designed for a maximum steam pressure of 240 PSI; 400 degrees F maximum. Maximum voltage from electrode to ground.

Part Number	Description
•PHST-38QTN	Probe Holder (UL353 Recognized)
•P0700-409	Protective Boot

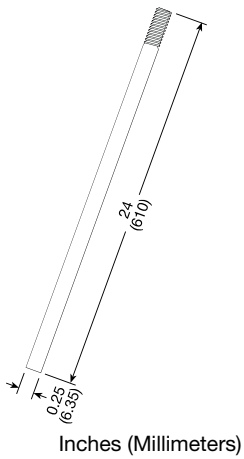


## Liquid Level Probe

### Description

Threaded stainless steel probe measuring 24 in. (61 cm) long. Designed for use with PHST-38QTN liquid level control electrodes.

P/N: •LLP-24



Inches (Millimeters)