

Percentage PT Series Timing Module



5

- ON/OFF Recycling Percentage Control
- External or Onboard Adjustment
- 1% ... 99% ON Range
- Digital Circuitry Provides Stability and Accuracy
- Loads to 1 A, 10 A Inrush

Approvals: us

Description

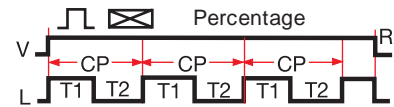
The PT Series can be used for a variety of applications from chemical metering to temperature regulating and energy management. The infinite adjustability from 1 to 99% allows the user good control over a wide factory fixed cycle period. The all solid state output can be used to drive solenoids, contactors, relays, or lamps up to 1 A steady state, 10 A inrush. The encapsulation makes the PT suitable for all types of environments.

Operation

Upon application of input voltage, the output energizes and the T1 ON time begins. At the end of the ON time, the output de-energizes and the T2 OFF time begins. At the end of the OFF time, the output energizes and the cycle repeats as long as input voltage is applied. Increasing the ON time decreases the OFF time. The total cycle period is equal to the ON time plus the OFF time. The total cycle period is factory fixed.

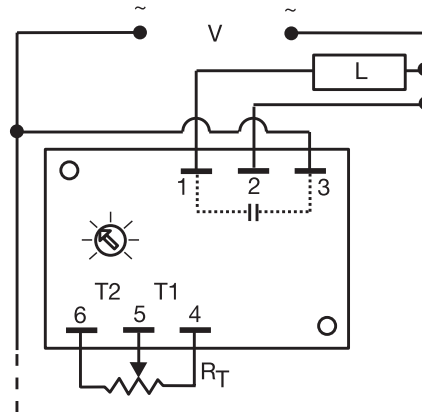
Reset: Removing input voltage resets the output and time delays, and returns the sequence to the ON time.

Function



V = Voltage L = Load R = Reset
CP = Cycle Period T1 = ON Time T2 = OFF Time

Connection



T1 = ON Time T2 = OFF Time

Note: Terminals 4, 5, & 6 are only included on externally adjustable units.
R_T is used when external adjustment is ordered.
Dashed lines are internal connections.

Accessories



External adjust potentiometer
P/N: **P1004-16**



Female quick connect
P/N:
P1015-64 (AWG 14/16)



Quick connect to screw adaptor
P/N: **P1015-18**



Versa-knob
P/N: **P0700-7**

See accessory pages for specifications.

Ordering Table

PT Series	X Input	X Adjustment	X Cycle Period
	-2 - 24 V AC	-A - Onboard Adjust	-10 s ... 1000 m
	-4 - 120 V AC	-B - External Adjust	
	-6 - 230 V AC	R _T = 1 MΩ	

Specify total cycle period, insert [10 ... 1000] followed by (S) sec. or (M) min.

Example P/N: **PT4A120S, PT6B100M**

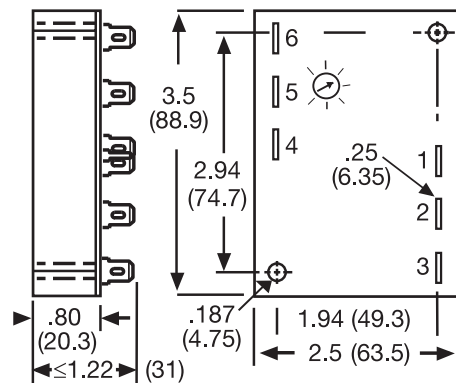
Percentage PT Series Timing Module

Technical Data

Time Delay	
Type	Digital integrated circuitry
Range	Adjustable from 1 ... 99% ON, (Guaranteed range) external or on the unit
Cycle Period	10 s ... 1000 m fixed
Tolerance (Factory Calibration)	≤ +/-10%
Repeat Accuracy	+/-0.5% or 20 ms, whichever is greater
Reset Time	≤ 100 ms
Time Delay vs. Temperature & Voltage	≤ +/-3%
Input	
Voltage	24, 120 or 230 V AC
Tolerance	+/-20%
Frequency	50 ... 60 Hz
Output	
Type	Solid state
Rating	1 A steady state, 10 A inrush at 60°C
Voltage Drop	≅ 2.5 V at 1 A
Protection	
Circuitry	Encapsulated
Dielectric Breakdown	≥ 2000 V RMS terminals to mounting surface
Insulation Resistance	≥ 100 MΩ
Mechanical	
Mounting	Surface mount with two #6 (M3.5 x 0.6) screws
Package	3.5 x 2.5 x 1.22 in. (88.9 x 63.5 x 31 mm)
Termination	0.25 in. (6.35 mm) male quick connect terminals
Environmental	
Operating Temperature	-40°C ... +80°C
Storage Temperature	-40°C ... +85°C
Humidity	95% relative, non-condensing
Weight	≅ 4.8 oz (136 g)

5

Mechanical View



Inches (Millimeters)

Terminals 4, 5 & 6 are only included when external adjust is ordered.
A knob is included when onboard adjust is ordered.