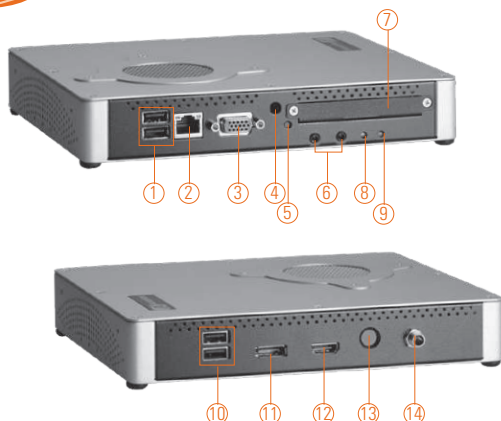


DSB-500-860

High Performance Digital Signage Player
Supports Socket G2 2nd Generation Intel®
Core™ Processor

NEW



- | | | |
|----------------------------|----------------------------|------------------|
| 1. USB 2.0 x 2 | 6. Audio (Line-out/Mic-in) | 11. DisplayPort |
| 2. Ethernet | 7. 2.5" HDD tray | 12. HDMI |
| 3. VGA | 8. Power LED | 13. Power button |
| 4. WiFi antenna (optional) | 9. HDD LED | 14. 19V DC in |
| 5. Reset button | 10. USB 2.0 x 2 | |



Full HD

AMT

DualView

DDR3

Specifications

Standard Color	Black/Grey
Construction	Heavy-duty steel
CPU	Socket G2 (rPGA 988B) for 2nd Generation Intel® Core™ i7/ i5/ i3 processors (Sandy Bridge)
Chipset	Intel® QM67 PCH
System Memory	1 x 204-pin DDR3-1066/1333/1600 SO-DIMM max. up to 8 GB
Storage	1 x 2.5" SATA HDD
BIOS	AMI
System I/O Outlet	1 x DisplayPort 1 x VGA 4 x USB 2.0 1 x Audio (Line-out/Mic-in) 1 x HDMI 1 x 10/100/1000Mbps Ethernet 1 x power on/off button 1 x reset button
Indicator	1 x LED for system power ON, 1 x LED for HDD
WiFi	Optional 802.11 b/g/n
Expansion Slot	1 x PCI Express Mini Card
Power Supply	19VDC
Operating Temperature	0° ~ +40°C (32°F ~ 104°F)
Dimensions	210 mm (8.26") (W) x 165 mm (6.49") (D) x 35 mm (1.37") (H)
Packing Dimensions	TBD
Weight (net/gross)	1.5 kg (3.3 lb)/ 2.5 kg (5.51 lb)
Certification	CE

Packing

- 1 x driver CD
- 1 x adapter 19V 90W
- 1 x power cord
- 2 x M3 screw

Features

- Supports socket G2 (rPGA 988B) 2nd Generation Intel® Core™ i7/ i5/ i3 processors (Sandy Bridge)
- DDR3-1066/1333/1600 SO-DIMM max. up to 8 GB
- HDMI & DisplayPort & VGA
- 1 2.5" SATA drive bay
- Supports Intel® AMT (Active Management Technology) 7.0
- Optional wireless LAN module
- Supports wall mount and VESA mount

Optional EOS Installation

Windows® XP Embedded

Optional OS Installation

Windows® XP, Windows® 7

Ordering Information

Standard

DSB-500-860 High performance digital signage player supports socket G2 Intel® Core™ processors (Sandy Bridge)

Optional

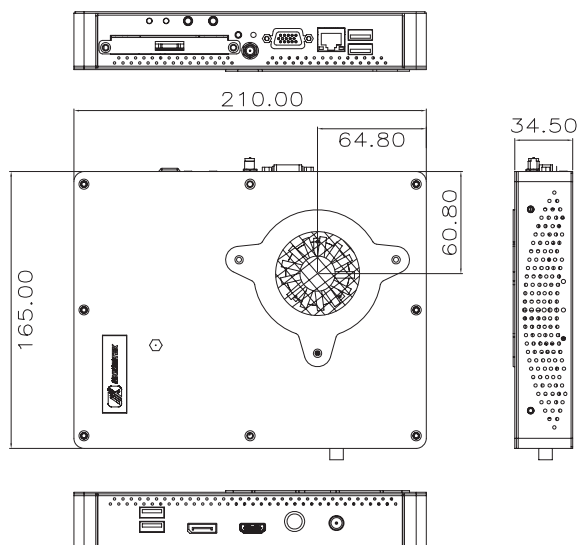
Wireless Lan kit Wi-Fi module and antenna

VESA mount kit

Wall mount kit

* Specification and certifications are based on options and may vary.

Dimensions



* All specifications and photos are subject to change without notice.