

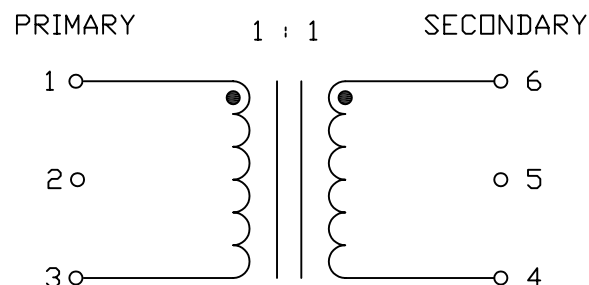
THE INFORMATION CONTAINED HEREIN IS CONSIDERED 'PROPRIETARY' TO BEL FUSE INC. AND SHALL NOT BE COPIED, REPRODUCED OR DISCLOSED WITHOUT THE WRITTEN APPROVAL OF BEL FUSE INC.

RoHS
2002/95/EC



ELECTRICAL CHARACTERISTICS @ 25°C

SCHEMATIC



<p>URNS RATIO PRIMARY : SECONDARY</p> <p>INDUCTANCE PRIMARY</p> <p>AT -40°C</p> <p>LEAKAGE INDUCTANCE (Le) PRIMARY (SECONDARY SHORTED)</p> <p>INTERWINDING CAPACITANCE (Cw/w) PRIMARY - SECONDARY</p> <p>DC RESISTANCE (1-3) = (6-4)</p> <p>HIPOT</p>	<p>1 : 1</p> <p>80μH MIN. @100kHz, Ls, 100mV 60μH MIN. @1.7MHz, Lp, 170mV 40μH MIN. @100kHz, Ls, 100mV</p> <p>0.09μH MAX. @1MHz, 100mV</p> <p>10pF MAX. @1MHz, 100mV</p> <p>0.25 Ω MAX.</p> <p>PER HAND-WORK-03</p>
---	---

ORIGINATED BY	DATE	TITLE	PART NO. / DRAWING NO.	STANDARD DIM. TOL. IN INCH	[] METRIC DIM. AS REFERENCE
CHAN CH	04-20-09	ELECTRICAL SPECIFICATION S554-6500-25-F	X554650025-F	.X	UNIT : INCH [mm] REV. : A
DRAWN BY	DATE		FILE NAME	.XX	SCALE : N/A SIZE : A4
YH Lai	04-20-09		X554650025FA.DWG	.XXX	PAGE : 2

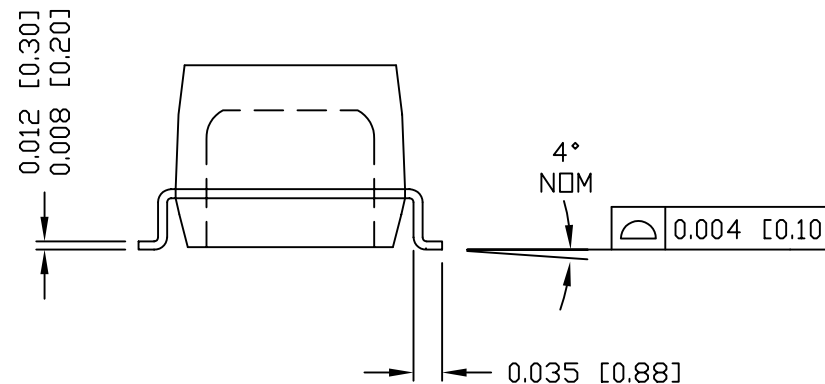
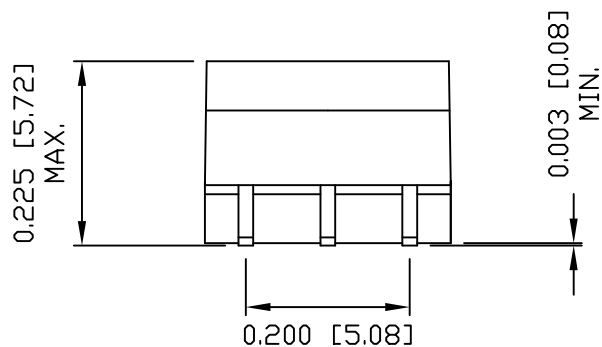
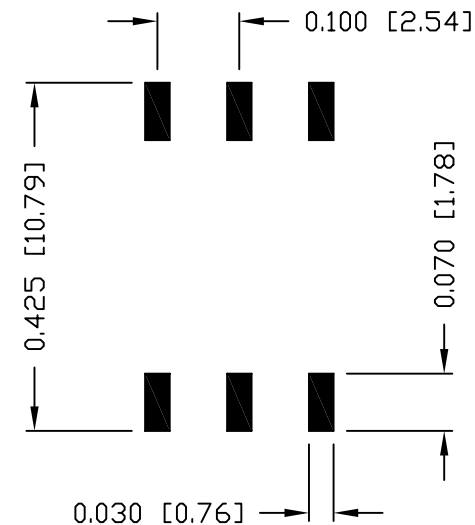
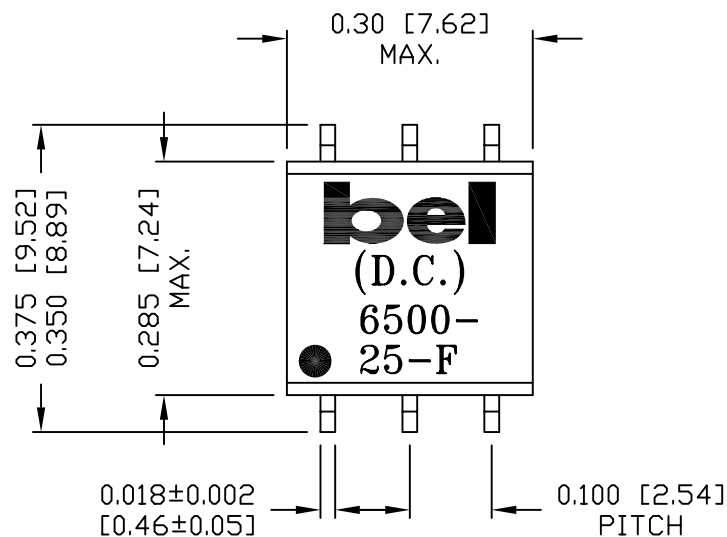


THE INFORMATION CONTAINED HEREIN IS CONSIDERED "PROPRIETARY" TO BEL FUSE INC. AND SHALL NOT BE COPIED, REPRODUCED OR DISCLOSED WITHOUT THE WRITTEN APPROVAL OF BEL FUSE INC.

RoHS
2002/95/EC



SUGGESTED PCB PAD LAYOUT



NOTES:

1. STANDARD MARKING REFER TO DOC. HAND-WORK-04.
2. PACKAGE CODE: "QAS002".

ORIGINATED BY	DATE	TITLE	PART NO. / DRAWING NO.	STANDARD DIM. TOL. IN INCH	[] METRIC DIM. AS REFERENCE
Lawrence Tsang	04-20-09	MECHANICAL OUTLINE S554-6500-25-F	X554650025-F	.X	UNIT : INCH [mm]
DRAWN BY	DATE		FILE NAME	.XX ±0.01	SCALE : N/A
YH Lai	04-20-09		X554650025FA.DWG	.XXX ±0.005	REV. : A
					SIZE : A4
					PAGE : 3

