

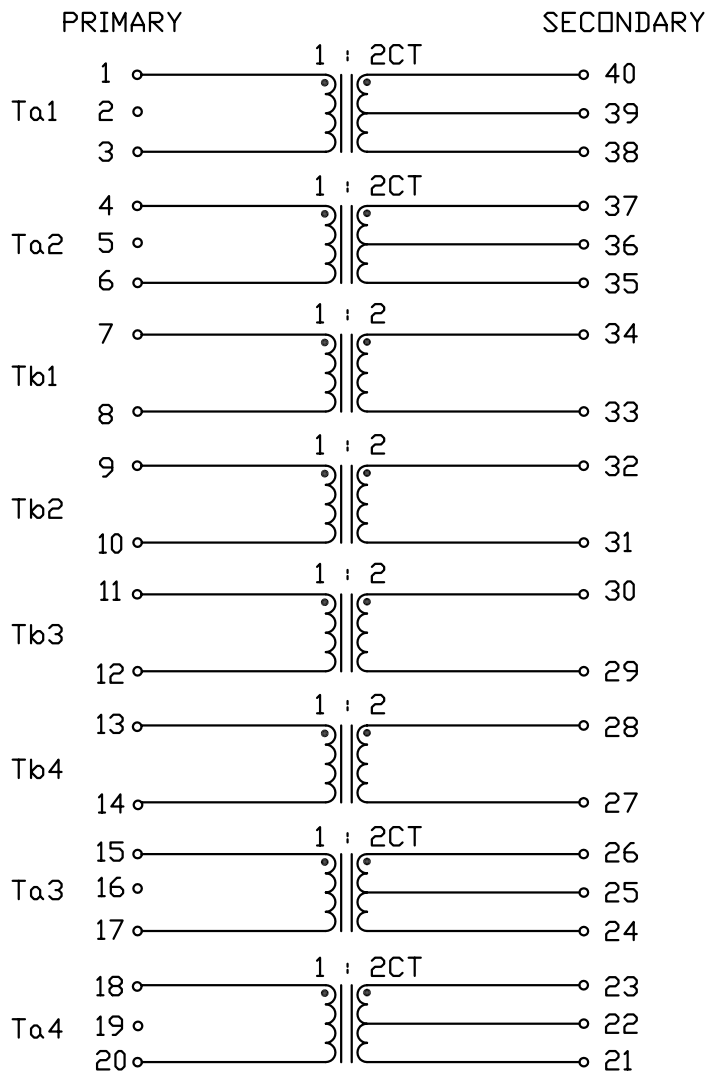
THE INFORMATION CONTAINED HEREIN IS CONSIDERED "PROPRIETARY" TO BEL FUSE INC. AND SHALL NOT BE COPIED, REPRODUCED OR DISCLOSED WITHOUT THE WRITTEN APPROVAL OF BEL FUSE INC.

RoHS  
2002/95/EC



SCHEMATIC

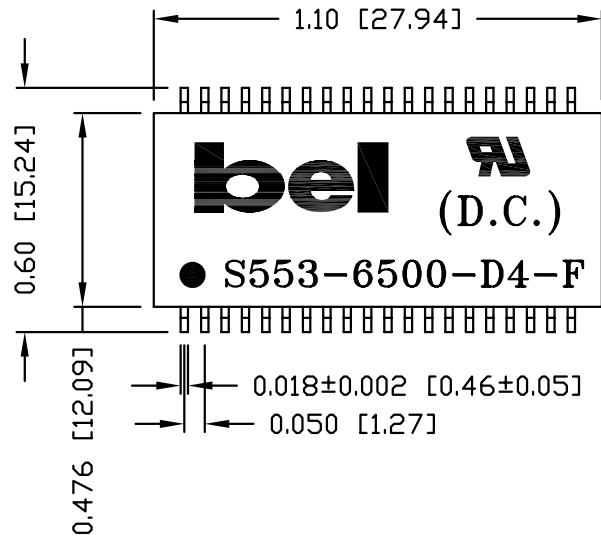
ELECTRICAL CHARACTERISTICS @ 25°C



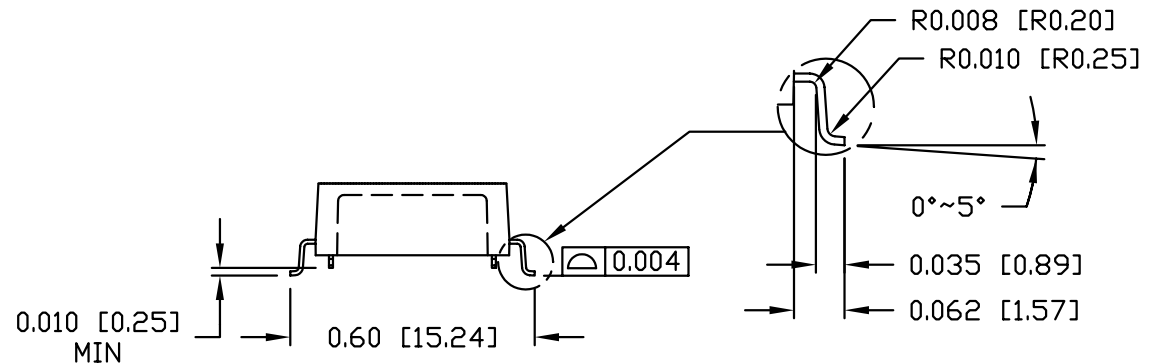
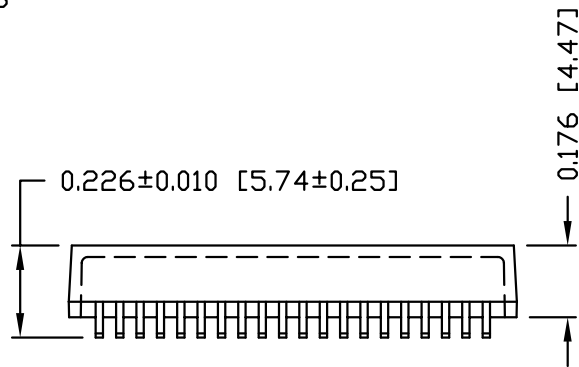
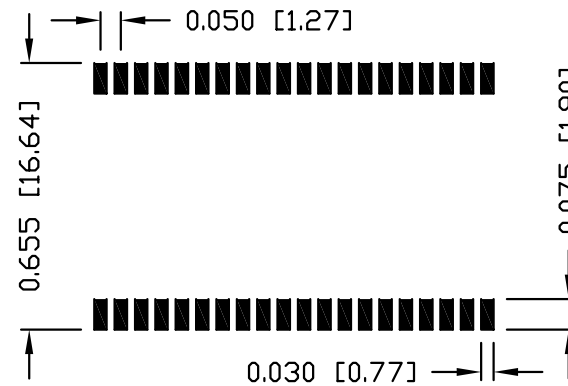
|   |  |
|---|--|
| <p>URNS RATIO</p> <p>Ta PRIMARY : SECONDARY 1 : 2CT</p> <p>Tb PRIMARY : SECONDARY 1 : 2</p>                                   |  |
| <p>POLARITY</p> <p>PER DOT CONVENTION</p>   |  |
| <p>INDUCTANCE</p> <p>Ta PRIMARY 1.5mH MIN</p> <p>AT -40°C 640µH MIN</p> <p>Tb PRIMARY 1.5mH MIN</p> <p>AT -40°C 640µH MIN</p> |  |
| <p>LEAKAGE INDUCTANCE, Le</p> <p>Ta PRIMARY (SECONDARY SHORTED) 0.3µH MAX</p> <p>Tb PRIMARY (SECONDARY SHORTED) 0.3µH MAX</p> |  |
| <p>INTERWINDING CAPACITANCE, Cw/w</p> <p>Ta PRIMARY - SECONDARY 35pF MAX</p> <p>Tb PRIMARY - SECONDARY 35pF MAX</p>           |  |
| <p>DC RESISTANCE</p> <p>Ta &amp; Tb PRIMARY 0.6Ω MAX</p> <p>Ta &amp; Tb SECONDARY 1.2Ω MAX</p>                                |  |
| <p>HIPOT</p> <p>PER HAND-WORK-03</p>  |  |

|                          |                  |                                   |  |               |   |                              |           |                                   |
|--------------------------|------------------|-----------------------------------|--|---------------|---|------------------------------|-----------|-----------------------------------|
| ORIGINATED BY<br>CH CHAN | DATE<br>03-04-11 | TITLE<br>ELECTRICAL SPECIFICATION | PART NO. / DRAWING NO.<br>X5536500D4-F | STANDARD DIM. |   | [ ] METRIC DIM. AS REFERENCE |           |                                   |
|                          |                  |                                   |  | TOL. IN INCH  |   | UNIT : INCH [mm]             | REV. : A  |                                   |
| DRAWN BY<br>HY ZHANG     | DATE<br>03-04-11 | S553-6500-D4-F                    | FILE NAME<br>X5536500D4FA.DWG          | .X            | / | SCALE : N/A                  | SIZE : A4 | COMPONENTS FOR A CONNECTED PLANET |
|                          |                  |                                   |  | .XX ±0.01     |   |                              | PAGE : 2  |                                   |
|                          |                  |                                   |  | .XXX ±0.005   |   |                              |           |                                   |

THE INFORMATION CONTAINED HEREIN IS CONSIDERED "PROPRIETARY" TO BEL FUSE INC. AND SHALL NOT BE COPIED, REPRODUCED OR DISCLOSED WITHOUT THE WRITTEN APPROVAL OF BEL FUSE INC.



SUGGESTED PCB PAD LAYOUT



NOTES:

- STANDARD MARKING REFER TO DOC. HAND-WORK-04.
- PACKAGE CODE: "RRS001A".

| ORIGINATED BY  | DATE     | TITLE              | PART NO. / DRAWING NO. | STANDARD DIM. TOL. IN INCH | [ ] METRIC DIM. AS REFERENCE |
|----------------|----------|--------------------|------------------------|----------------------------|------------------------------|
| LAWRENCE TSANG | 03-04-11 | MECHANICAL OUTLINE | X5536500D4-F           | .X                         | UNIT : INCH [mm] REV. : A    |
| DRAWN BY       | DATE     | S553-6500-D4-F     | FILE NAME              | .XX ±0.01                  | SCALE : N/A SIZE : A4        |
| HY ZHANG       | 03-04-11 |                    | X5536500D4FA.DWG       | .XXX ±0.005                | PAGE : 3                     |

