

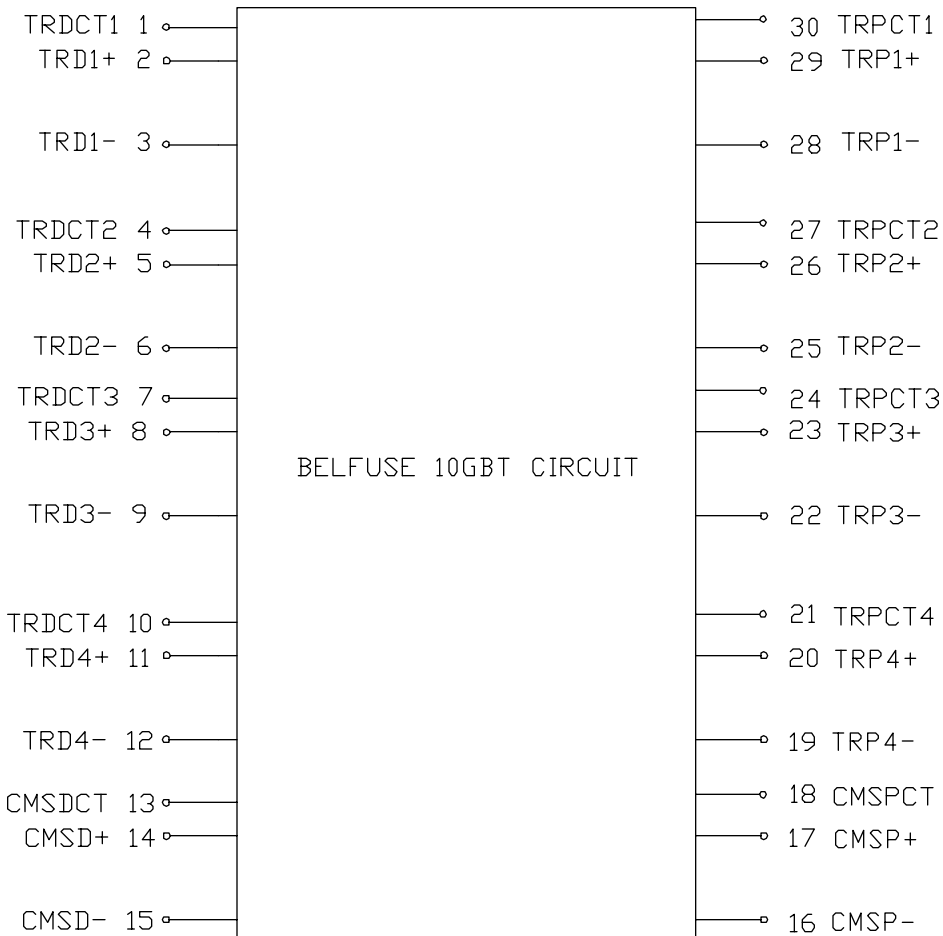
THE INFORMATION CONTAINED HEREIN IS CONSIDERED "PROPRIETARY" TO BEL FUSE INC. AND SHALL NOT BE COPIED, REPRODUCED OR DISCLOSED WITHOUT THE WRITTEN APPROVAL OF BEL FUSE INC.

PRELIMINARY



SCHEMATIC

ELECTRICAL SPECIFICATION @25°C



URNS RATIO

(2-3) : (28-29)	1CT : 1CT
(5-6) : (25-26)	1CT : 1CT
(8-9) : (22-23)	1CT : 1CT
(11-12) : (19-20)	1CT : 1CT
(14-15) : (16-17)	1CT : 1CT

POLARITY

2°&29°, 5°&26°, 8°&23°  
11°&20° & 14°&17°

INSERTION LOSS

FREQ.(MHz)	1	2-300	400	500
dB MAX	0.3	1.0	1.5	2.0

RETURN LOSS

FREQ.(MHz)	1	2-300	400	500	600
dB MIN	18	20	15	12	9

CM TO DM  
REJECTION RATIO

FREQ.(MHz)	50	100	200	300	400	500
dB MIN	48	42	36	33	30	28

CM TO CM  
REJECTION RATIO

FREQ.(MHz)	50	100	200	300	400	500
dB MIN	30	27	24	22	21	20

HIPOT

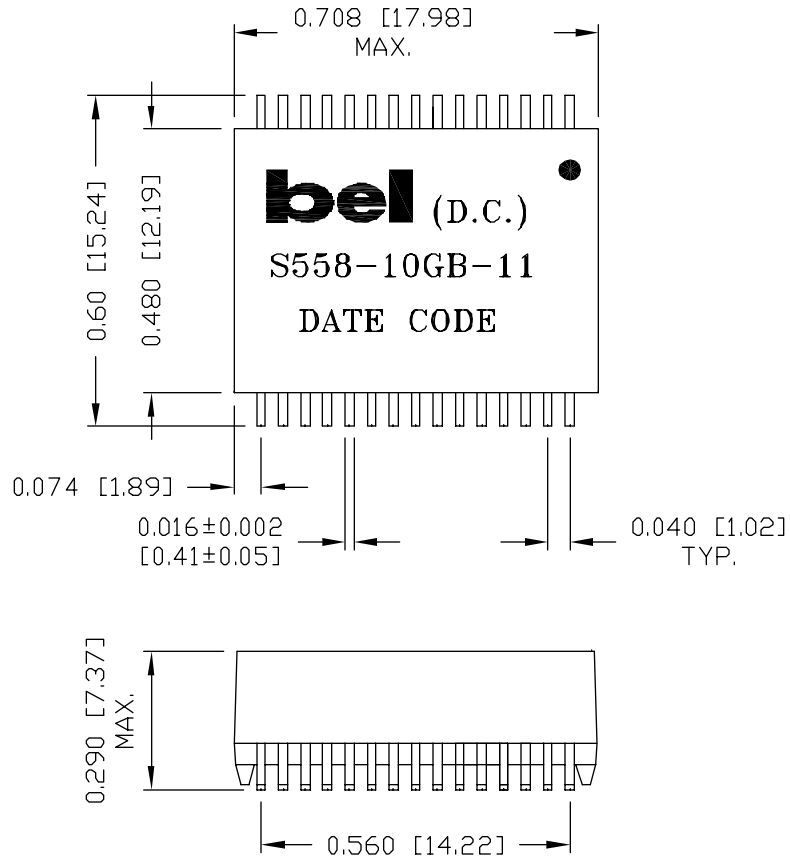
1500V<sub>rms</sub>

ORIGINATED BY	DATE	TITLE	PART NO. / DRAWING NO.	STANDARD DIM. TOL. IN INCH	[ ] METRIC DIM. AS REFERENCE
TK	02-11-10	ELECTRICAL SPECIFICATION	S558-10GB-11	.X	UNIT : INCH [mm] REV. : X2
DRAWN BY	DATE		FILE NAME	.XX	SCALE : N/A SIZE : A4
			S55810GB011_X2.DWG	.XXX	⊕  PAGE : 2

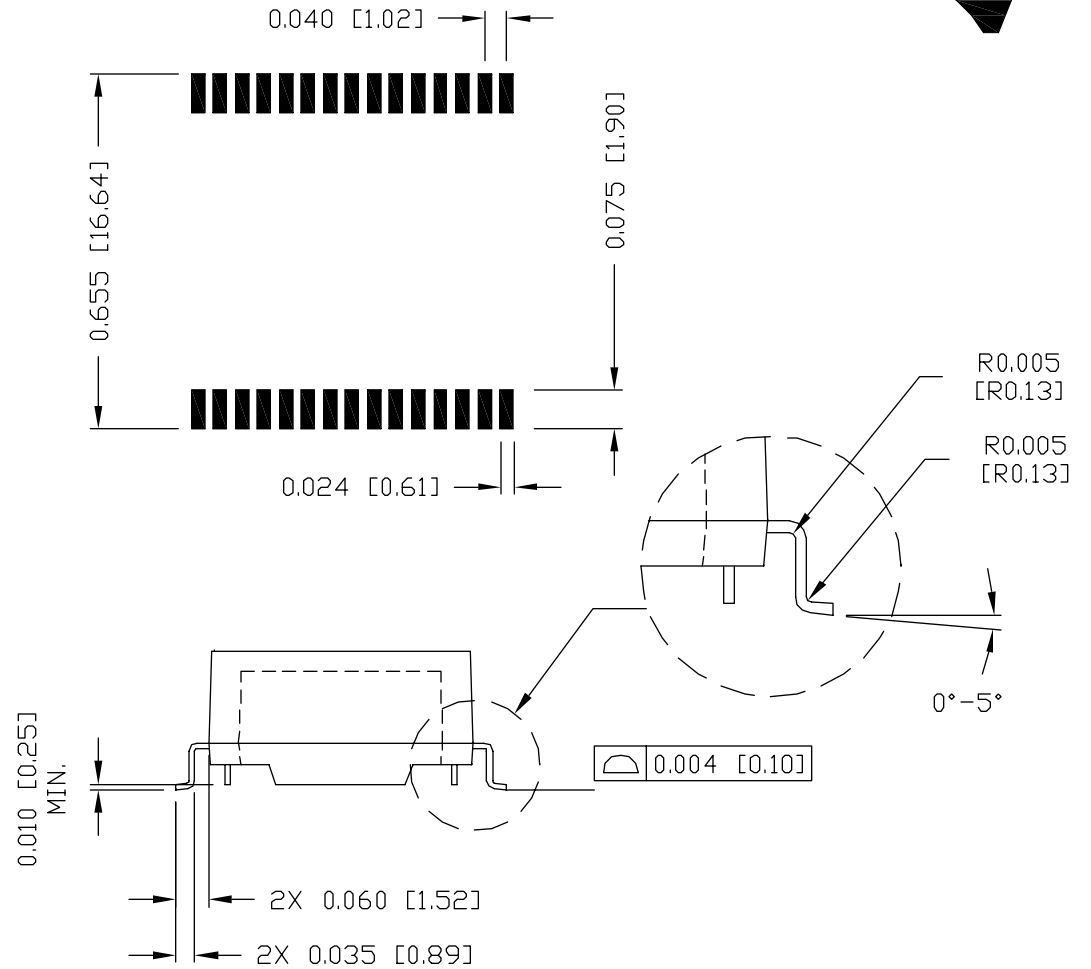


THE INFORMATION CONTAINED HEREIN IS CONSIDERED "PROPRIETARY" TO BEL FUSE INC. AND SHALL NOT BE COPIED, REPRODUCED OR DISCLOSED WITHOUT THE WRITTEN APPROVAL OF BEL FUSE INC.

PRELIMINARY COPY



SUGGESTED PCB PAD LAYOUT



NOTES:

- STANDARD MARKING REFER TO DDC, HAND-WORK-04.

DRWN TK	DATE 02-11-10
CHKD	DATE

TITLE MECHANICAL SPECIFICATION
-----------------------------------

PART NO. / DRAWING NO. S558-10GB-11
FILE NAME S55810GB011_X2.DWG

STANDARD DIM. TOL. IN INCH
.X
.XX ±0.01
.XXX ±0.005

[ ] METRIC DIM. AS REFERENCE	
UNIT : INCH [mm]	REV. : X2
SCALE : N/A	SIZE : A4
	PAGE : 3

