

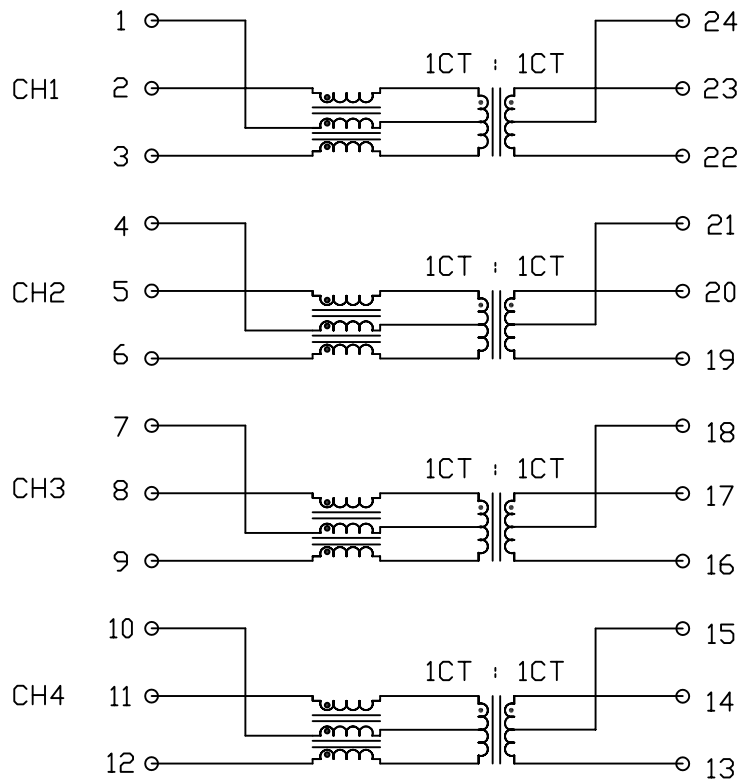
THE INFORMATION CONTAINED HEREIN IS CONSIDERED 'PROPRIETARY' TO BEL FUSE INC. AND SHALL NOT BE COPIED, REPRODUCED OR DISCLOSED WITHOUT THE WRITTEN APPROVAL OF BEL FUSE INC.

PRELIMINARY



ELECTRICAL SPECIFICATION @25°C

SCHEMATIC



URNS RATIO

(2-1-3) : (23-24-22) 1CT : 1CT
 (5-4-6) : (20-21-19) 1CT : 1CT
 (8-7-9) : (17-18-16) 1CT : 1CT
 (11-10-12) : (14-15-13) 1CT : 1CT

POLARITY

CH1, CH2 2°&23°, 5°&20°
 CH3, CH4 8°&17°, 11°&14°

HIPOT

1500Vrms

INSERTION LOSS

FREQ.(MHz)	1	2-50	200	400	500
dB MAX	1.0	0.5	1.0	2.0	3.0

RETURN LOSS

FREQ.(MHz)	1	2-100	200	400	500
dB MIN	22	20	16	10	8

CM TO DM

REJECTION RATIO

FREQ.(MHz)	50	100	200	300	400	500
dB MIN	48	42	36	33	30	28

CM TO CM

REJECTION RATIO

FREQ.(MHz)	50	100	200	300	400	500
dB MIN	30	24	23	22	21	20

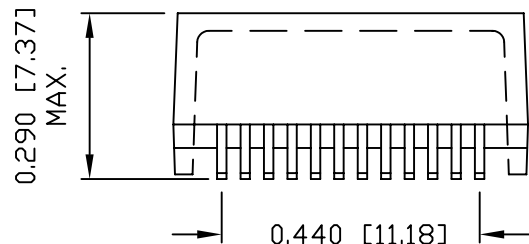
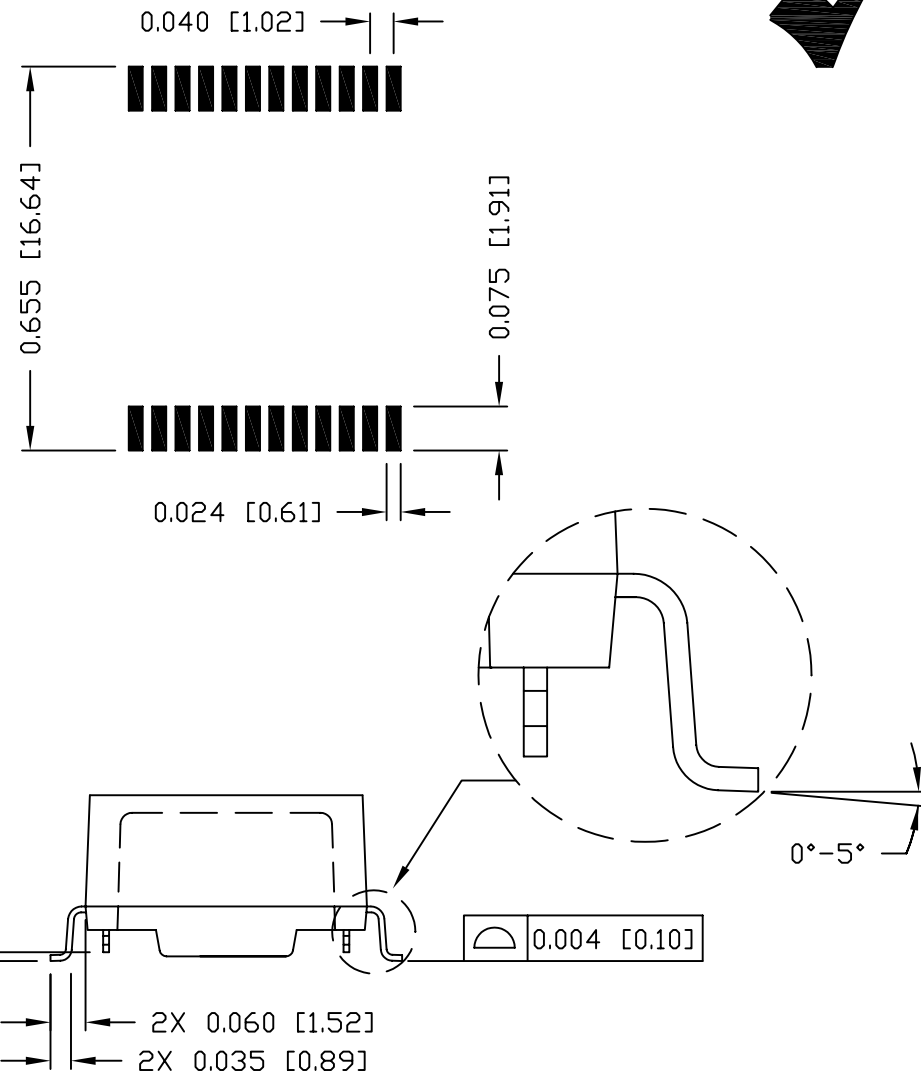
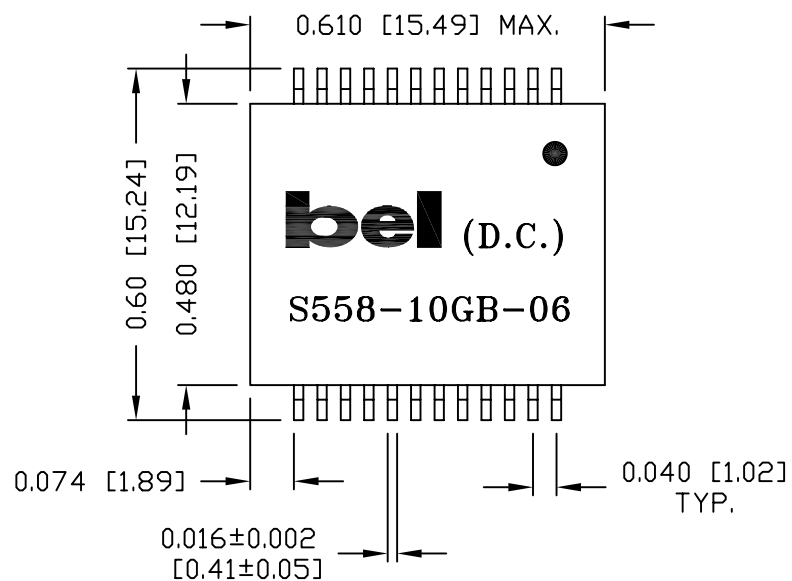
ORIGINATED BY	DATE	TITLE	PART NO. / DRAWING NO.	STANDARD DIM.	[] METRIC DIM. AS REFERENCE
CHAN CH	02-26-09	ELECTRICAL SPECIFICATION	S558-10GB-06	TOL. IN INCH	UNIT : INCH [mm]
DRAWN BY	DATE		FILE NAME	.X	REV. : PB
YH Lai	02-26-09		S55810GB06PB.DWG	.XX	SCALE : N/A
				.XXX	SIZE : A4
					PAGE : 2



THE INFORMATION CONTAINED HEREIN IS CONSIDERED "PROPRIETARY" TO BEL FUSE INC. AND SHALL NOT BE COPIED, REPRODUCED OR DISCLOSED WITHOUT THE WRITTEN APPROVAL OF BEL FUSE INC.

PRELIMINARY

SUGGESTED PCB PAD LAYOUT



NOTES:

- STANDARD MARKING REFER TO DOC. HAND-WORK-04.
- PACKAGE CODE: "QABS001".

ORIGINATED BY	DATE	TITLE	PART NO. / DRAWING NO.	STANDARD DIM. TOL. IN INCH	[] METRIC DIM. AS REFERENCE
LAWRENCE TSANG	02-26-09	MECHANICAL OUTLINE	S558-10GB-06	.X	UNIT : INCH [mm]
DRAWN BY	DATE		FILE NAME	.XX ±0.01	SCALE : N/A
YH Lai	02-26-09		S55810GB06PB.DWG	.XXX ±0.005	REV. : PB
					SIZE : A4
					PAGE : 3

