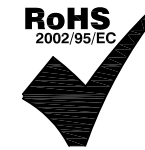


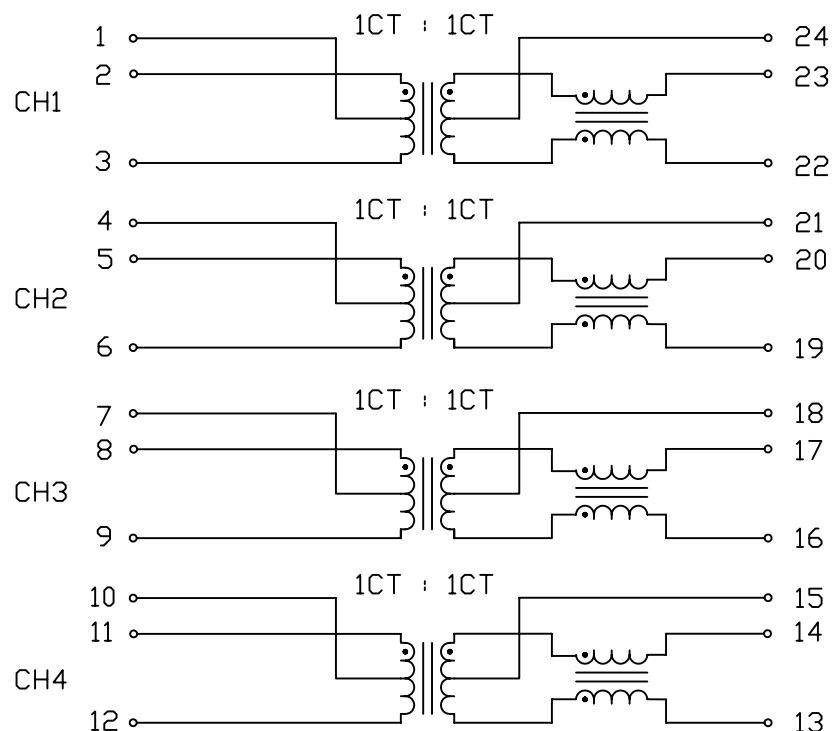
THE INFORMATION CONTAINED HEREIN IS CONSIDERED 'PROPRIETARY' TO BEL FUSE INC. AND SHALL NOT BE COPIED, REPRODUCED OR DISCLOSED WITHOUT THE WRITTEN APPROVAL OF BEL FUSE INC.

RoHS
2002/95/EC



ELECTRICAL SPECIFICATION @25°C

SCHEMATIC



URNS RATIO

(2-3) : (23-22)
(5-6) : (20-19)
(8-9) : (17-16)
(11-12) : (14-13)

1CT : 1CT
1CT : 1CT
1CT : 1CT
1CT : 1CT

POLARITY

2°&23°, 5°&20°
8°&17°, 11°&14°

DCL

(2-3) = (5-6)
(8-9) = (11-12)

@100kHz, 100mV
62µH MIN

INSERTION LOSS

FREQ.(MHz)	1	2-300	400	500
dB MAX	0.3	1.0	1.5	2.0

RETURN LOSS

FREQ.(MHz)	1	2-300	400	500	600
dB MIN	18	20	15	12	9

CM TO DM

REJECTION RATIO

FREQ.(MHz)	50	100	200	300	400	500
dB TYP	48	42	36	33	30	28

CM TO CM

REJECTION RATIO

FREQ.(MHz)	50	100	200	300	400	500
dB TYP	30	27	24	22	21	20

HIPOT

1500Vrms

ORIGINATED BY	DATE	TITLE	PART NO. / DRAWING NO.	STANDARD DIM.	[] METRIC DIM. AS REFERENCE	
CHAN CH	03-05-09	ELECTRICAL SPECIFICATION	S558-10GB-02	TOL. IN INCH	UNIT : INCH [mm]	
DRAWN BY	DATE		FILE NAME	.X	SCALE : N/A	REV. : A
YH Lai	03-05-09		S55810GB02A.DWG	.XX	⊕	SIZE : A4
				.XXX	PAGE : 2	

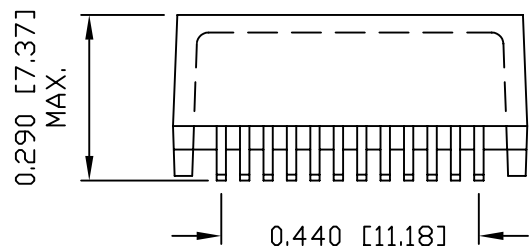
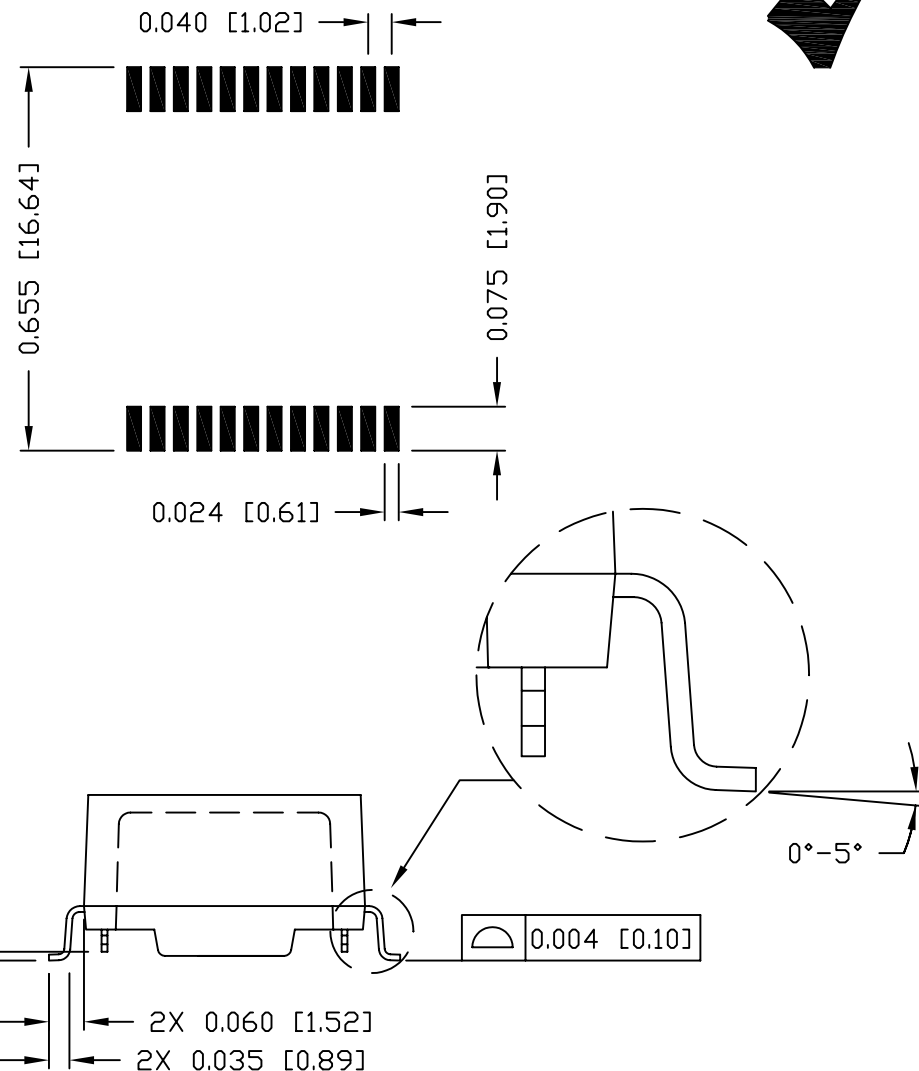
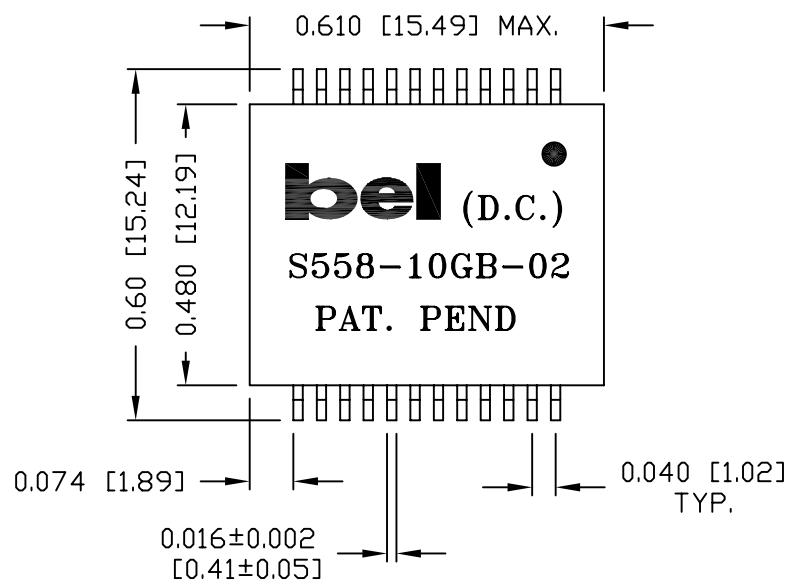


THE INFORMATION CONTAINED HEREIN IS CONSIDERED "PROPRIETARY" TO BEL FUSE INC. AND SHALL NOT BE COPIED, REPRODUCED OR DISCLOSED WITHOUT THE WRITTEN APPROVAL OF BEL FUSE INC.

RoHS
2002/95/EC



SUGGESTED PCB PAD LAYOUT



NOTES:

1. STANDARD MARKING REFER TO DOC. HAND-WORK-04.
2. PACKAGE CODE: "QABS001".

ORIGINATED BY	DATE	TITLE	PART NO. / DRAWING NO.	STANDARD DIM.	[] METRIC DIM. AS REFERENCE	
LAWRENCE TSANG	03-05-09	MECHANICAL OUTLINE	S558-10GB-02	TOL. IN INCH	UNIT : INCH [mm]	
DRAWN BY	DATE		FILE NAME	.X	SCALE : N/A	REV. : A
YH Lai	03-05-09		S55810GB02A.DWG	.XX ±0.01	SCALE : N/A	SIZE : A4
				.XXX ±0.005	PAGE : 3	

