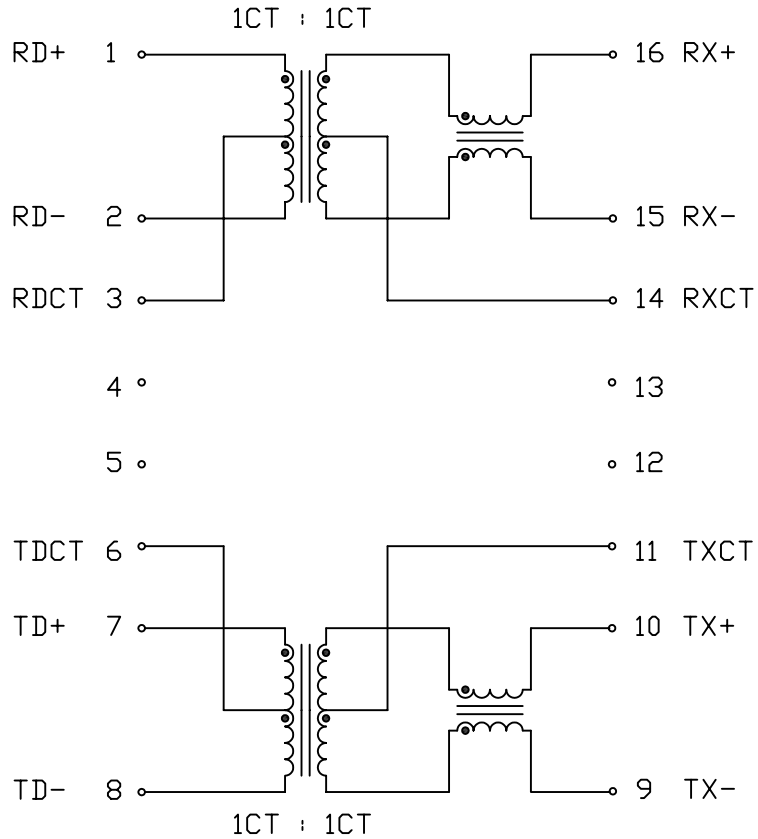


THE INFORMATION CONTAINED HEREIN IS CONSIDERED "PROPRIETARY" TO BEL FUSE INC. AND SHALL NOT BE COPIED, REPRODUCED OR DISCLOSED WITHOUT THE WRITTEN APPROVAL OF BEL FUSE INC.



ELECTRICAL SPECIFICATIONS @25°C

SCHEMATIC



URNS RATIO

(1-3-2) : (16-14-15)
(7-6-8) : (10-11-9)

1CT : 1CT
1CT : 1CT

POLARITY

PER DOT CONVENTION

□CL

(1-2), (7-8)

350uH MIN AT 100kHz, 100mV
WITH 8mA DC BIAS, FROM 0-70°C

INSERTION LOSS

1-100MHz

1.0dB MAX

RETURN LOSS

1-30MHz
50MHz
60MHz
80MHz

18dB MIN
16dB MIN
14dB MIN
12dB MIN

CROSSTALK

5-10MHz
100MHz

40dB MIN
30dB MIN

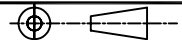
COMMON TO COMMON REJECTION

300kHz-155MHz

30dB MIN

HIPOT

PER HAND-WORK-03

ORIGINATED BY	DATE	TITLE	PART NO. / DRAWING NO.	STANDARD DIM. TOL. IN INCH	[] METRIC DIM. AS REFERENCE
CHAN CH	03-24-09	ELECTRICAL SPECIFICATION S558-5999-U1-F	X5585999U1-F	.X	UNIT : INCH [mm] REV. : A
DRAWN BY	DATE		FILE NAME	.XX	SCALE : N/A SIZE : A4
YH Lai	03-24-09		X5585999U1FA.DWG	.XXX	 PAGE : 2

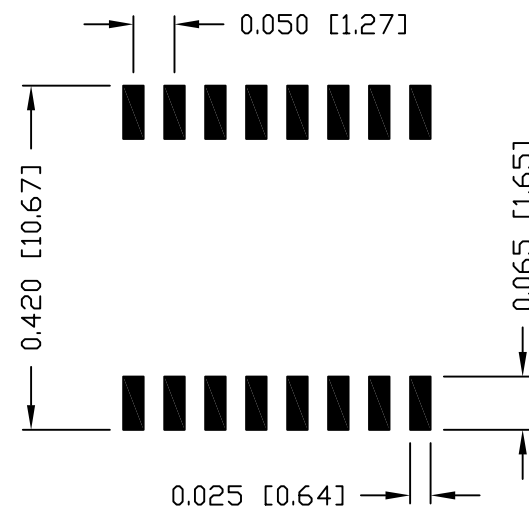
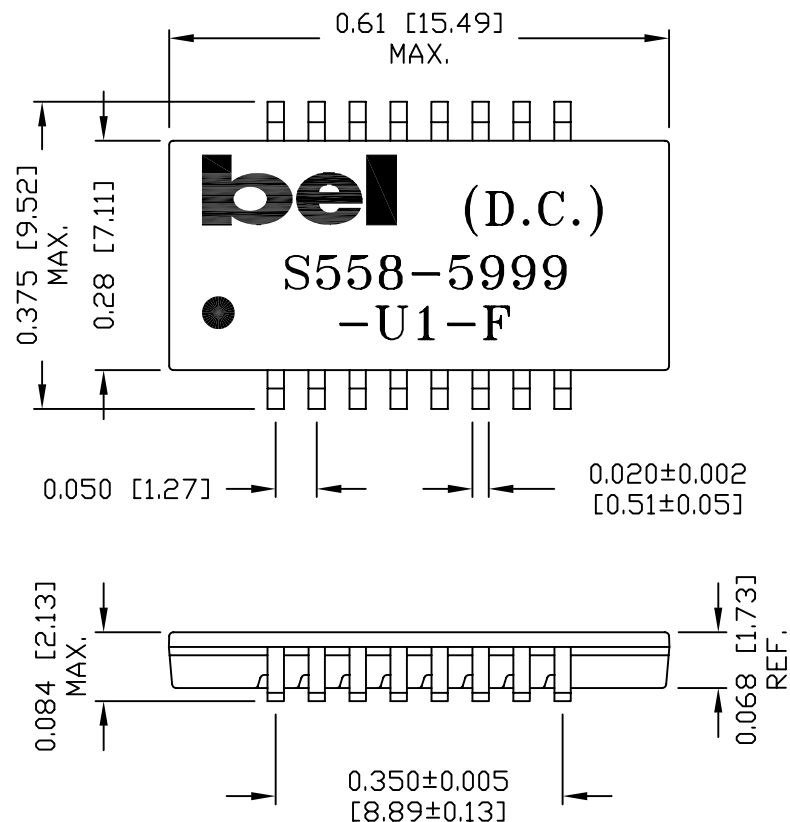


THE INFORMATION CONTAINED HEREIN IS CONSIDERED "PROPRIETARY" TO BEL FUSE INC. AND SHALL NOT BE COPIED, REPRODUCED OR DISCLOSED WITHOUT THE WRITTEN APPROVAL OF BEL FUSE INC.

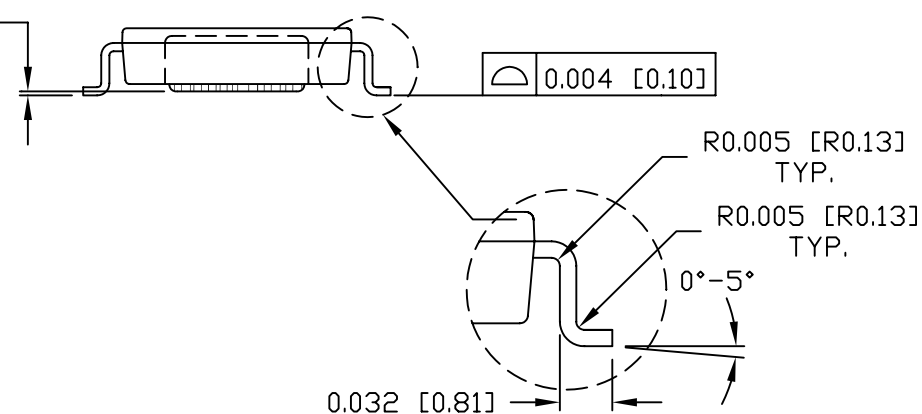
RoHS
2002/95/EC



SUGGESTED PCB PAD LAYOUT



BETWEEN COMPONENTS AND INTERNAL LEADS TO SEATING PLANE WITH 0.002" MIN CLEARANCE



NOTES:

- STANDARD MARKING REFER TO DOC. HAND-WORK-04.
- PACKAGE CODE: "QZS001".

ORIGINATED BY Lawrence Tsang	DATE 03-24-09	TITLE MECHANICAL OUTLINE S558-5999-U1-F	PART NO. / DRAWING NO. X5585999U1-F	STANDARD DIM. TOL. IN INCH	[] METRIC DIM. AS REFERENCE
DRAWN BY YH Lai	DATE 03-24-09		FILE NAME X5585999U1FA.DWG	.X .XX ±0.01 .XXX ±0.005	UNIT : INCH [mm] SCALE : N/A REV. : A SIZE : A4 PAGE : 3

