

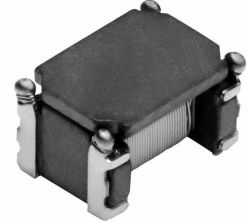
Type: CSLF3228

◆ **Outline**

- Common mode choke coil for correspondence high reliability and high temperature.

◆ **Feature**

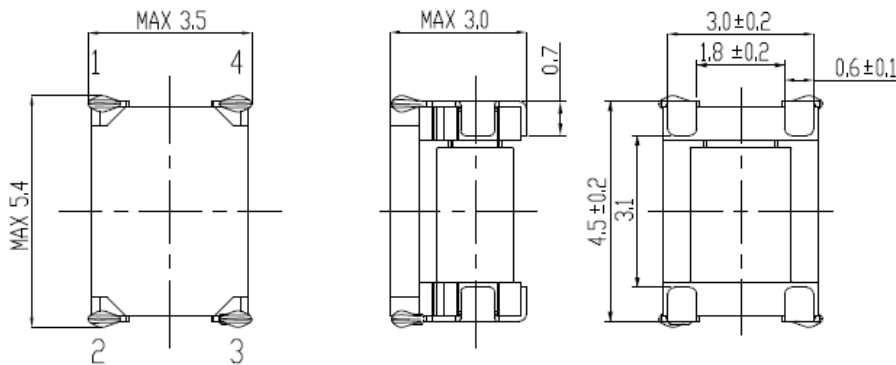
- Available for automobile. ($\sim 125^{\circ}\text{C}$)
- Small size
- RoHS Compliance



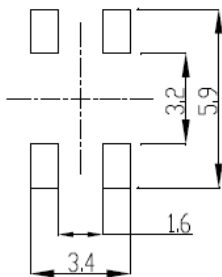
◆ **Application**

- CANBUS
- AV and OA equipment
- Suitable for DC common mode

◆ **Dimensions (mm)**



◆ **Land Pattern (mm)**

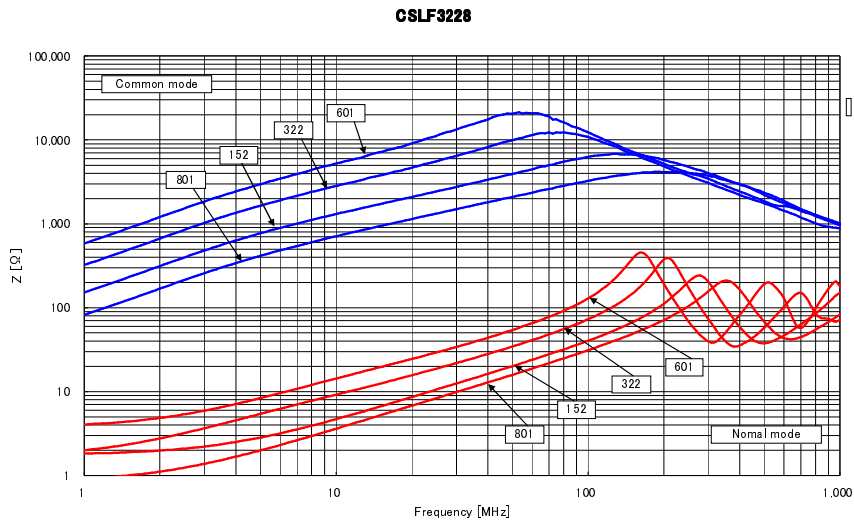


Type: CSLF3228

◆ **Specifications**

Parts No.	Impedance @100MHz	DCR @20°C	Rated current
CSLF3228NP-801	800(Typ)/Min.480 Ω	Max. 0.5 Ω	0.25A
CSLF3228NP-152	1500(Typ)/Min.900 Ω	Max. 1.0 Ω	0.2A
CSLF3228NP-322	3200(Typ)/Min.1900 Ω	Max.1.0 Ω	0.2A
CSLF3228NP-602	6000(Typ)/Min.2400 Ω	Max.2.0 Ω	0.15A

◆ **Impedance characteristics**



- Mass production schedule: June, 2012
- Please note that the specification might be changed without notice due to under developing and improving.