

LF Receiver Antenna CAK12D21



Description

- LF receiver antenna for Z axis.
- Low profile.
- High Reliability.
- D × H: $\Phi 12.3\text{mm} \times 2.3\text{ mm Max.}$
- Product weight: 0.2g Ref..
- RoHS compliance.

Environmental Data

- Operating temperature range: $-40^{\circ}\text{C} \sim +85^{\circ}\text{C}$
- Storage temperature range: $-40^{\circ}\text{C} \sim +125^{\circ}\text{C}$

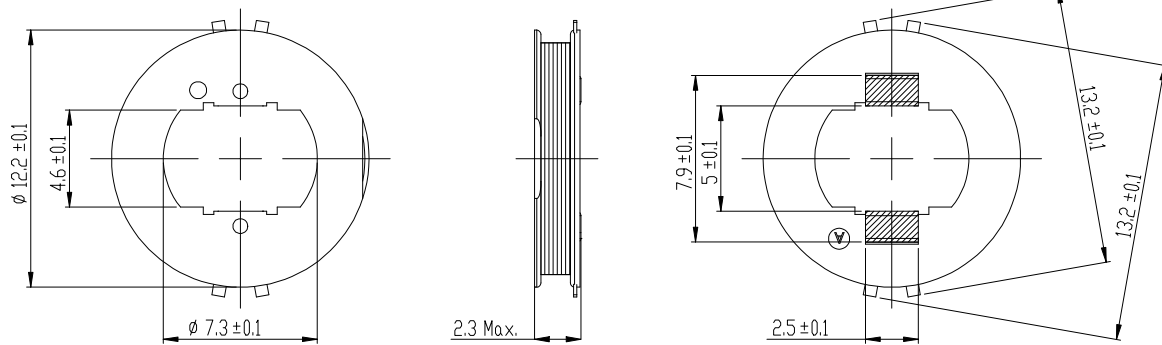
Packaging

- Carrier Tape and Reel.
- Tape specification according to EIA481.
- 1000pcs/reel.

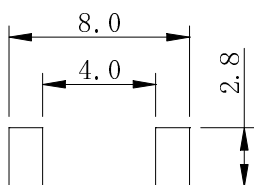
Applications

- PEPS, Smart key system.
- Security system

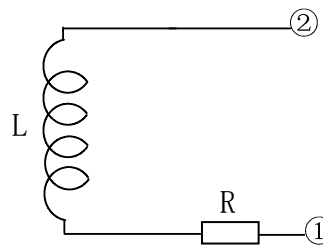
Dimension - [mm]



Suggest PCB layout - [mm]

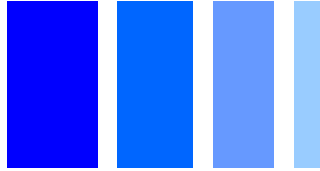


Schematic diagram



L: Ferrite core coil inductance.
R: Copper resistance.

LF Receiver Antenna CAK12D21



Electrical Characteristics

NO.	PART NAME	STAMP	INDUCTAN CE (mH)	UNLOADED Q	S.R.F. Min. (kHz)	D.C.R REF.(Ω)
1	CAK12D21-102	102	1.0±3%	13.9±10%	1500	52
2	CAK12D21-232	232	2.36±3%	13.7±10%	950	118
3	CAK12D21-342	342	3.45±3%	12.9±10%	760	181
4	CAK12D21-382	382	3.8±3%	13.5±10%	740	192
5	CAK12D21-472	472	4.7±3%	14.4±10%	680	217
6	CAK12D21-602	602	6.0±3%	13.3±10%	580	302
7	CAK12D21-682	682	6.8±3%	14.8±10%	550	320
8	CAK12D21-722	722	7.2±3%	15.3±10%	550	333

* It is possible for different inductance value.

For more information, please browse our website <http://www.sumida.com>

Hong Kong

Tel.+852-2880-6688
FAX.+852-2565-9600

Tokyo

Tel.+81-3-5202-7112
FAX.+81-3-5202-7105

Chicago

Tel.+1-847-545-6700
FAX. +1-847-545-6720

Shanghai

Tel.+86-021-5836-3299
FAX.+86-021-5836-3266

Seoul

Tel.+82-2-6237-0777
FAX.+82-2-6237-0778

Oberzell

Tel.+49-8591-937-0
FAX. +49-8591-937-103

Shenzhen

Tel.+86-755-8291-0228
FAX.+86-755-8291-0338

Singapore

Tel.+65-6296-3388
FAX.+65-6296-3390

Neumarkt

Tel.+49-9181-4509-110
FAX. +49-9181-4509-310

Taipei

Tel.+886-2-8751-2737
FAX.+886-2-8751-2738

San Jose

Tel.+1-408-321-9660
FAX.+1-408-321-9308