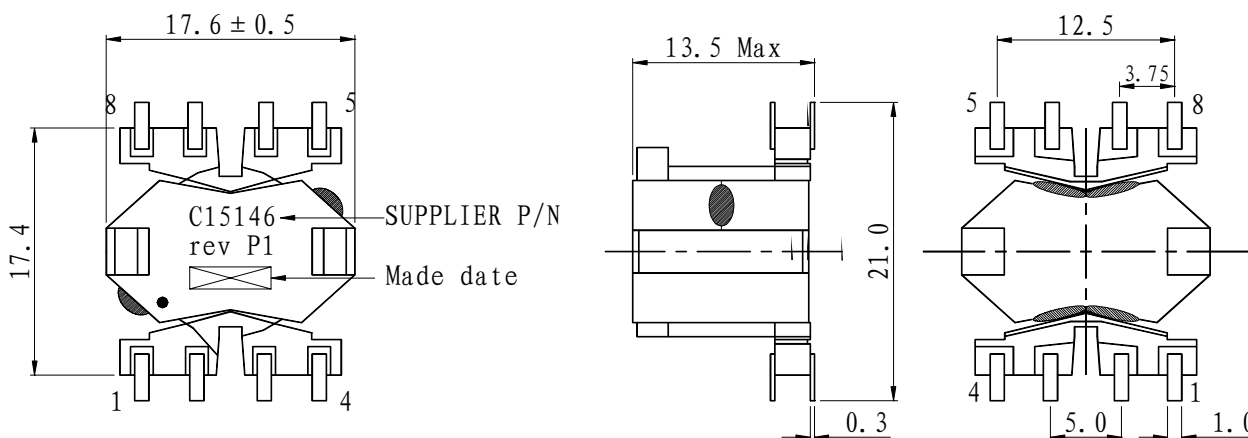
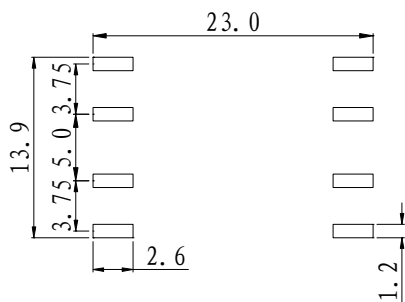
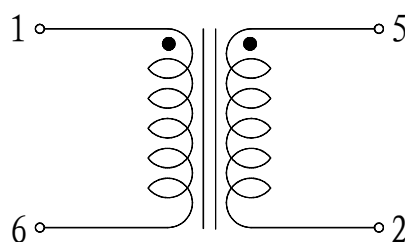


Type: CRM6
◆ Product Description

- 17.6×17.4mm Typ. (L×W),13.5mm Max. Height.

◆ Feature

- Surface mounting type for DSL POTs applications.
- Ideally use in VDSL2 POTs splitter.
- Customized inductance values available.
- RoHS Compliance.


◆ Dimensions (mm)

◆ Land Pattern (mm)

◆ Schematics(Bottom)

◆ Specification

Part Name	Inductance (mH)			D.C.R.(Ω) Pri	D.C.R.(Ω) Sec	C _{ww} 100kHz, 0.1V	Turn Ratio 10kHz, 0.1V
	10kHz 0.1Vac,0.1Adc	10kHz 0.1Vac,0.22Adc	10kHz 0.1Vac,0.225Adc				
C15141	16.0mH±5%	---	16.0mH±10%	6.0 Max.	6.0 Max.	30pF Max.	1:1±1%
C15142	20.0mH±5%	20.0mH±10%	---	6.0 Max.	6.0 Max.	30pF Max.	1:1±1%
C15145	16.0mH±5%	---	16.0mH±10%	6.0 Max.	6.0 Max.	30pF Max.	1:1±1%
C15146	20.0mH±5%	---	20.0mH±10%	6.0 Max.	6.0 Max.	30pF Max.	1:1±1%