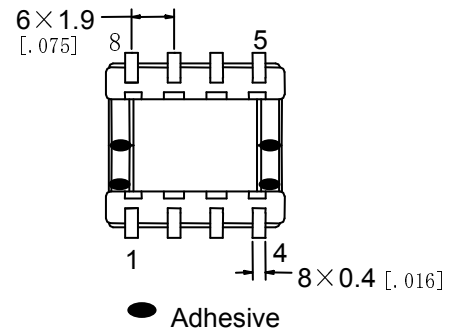
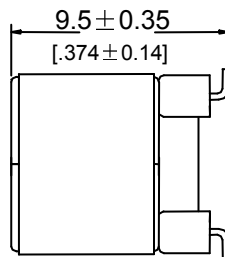
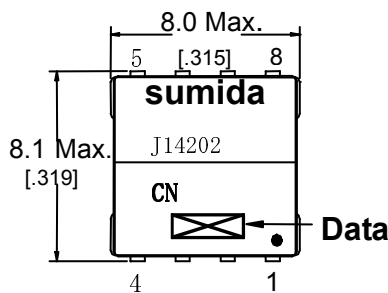
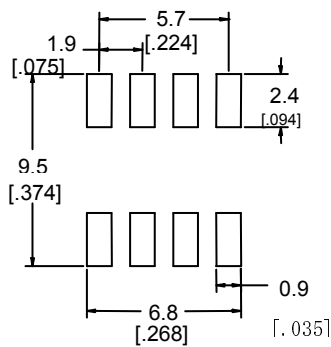
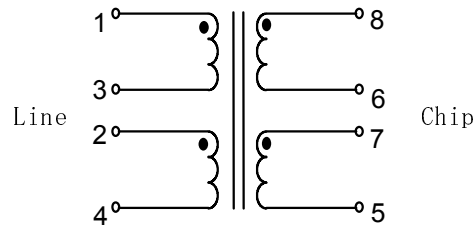


Type: CEP710B
◆ Product Description

- 8.1 × 8.0mm Max. (L × W), 9.85mm Max. height.
- Custom design is available.


◆ Feature

- VDSL line transformer.
- Ideally used in VDSL/VDSL2 CO equipments.
- Approved by Broadcom (BCM6511/6526, BCM6516/6524) and Alcatel.
- RoHS Compliance

◆ Dimensions (mm)

◆ Land Pattern (mm)

◆ Schematics (Bottom)

◆ Specification

Part No.	Inductance (μH)	Turns ratio	THD (dB) (TYP.)	Insulation	Application
J14202	420 ±10%	2.5: 1	-60dB(30K, 3.0V)	Functional	VDSL2 CO
J14207	420 ±10%	2.5: 1	-60dB(30K, 3.0V)	Functional	VDSL2 CO
J14208	100 ±10%	2.5: 1	-80dB(100KHz, 3.0V)	Functional	VDSL2 CO
J14214	420 ±10%	2: 1	-60dB(30K, 3.0V)	Functional	VDSL2 CO
J14215	100 ±10%	2: 1	-80dB(100KHz, 3.0V)	Functional	VDSL2 CO