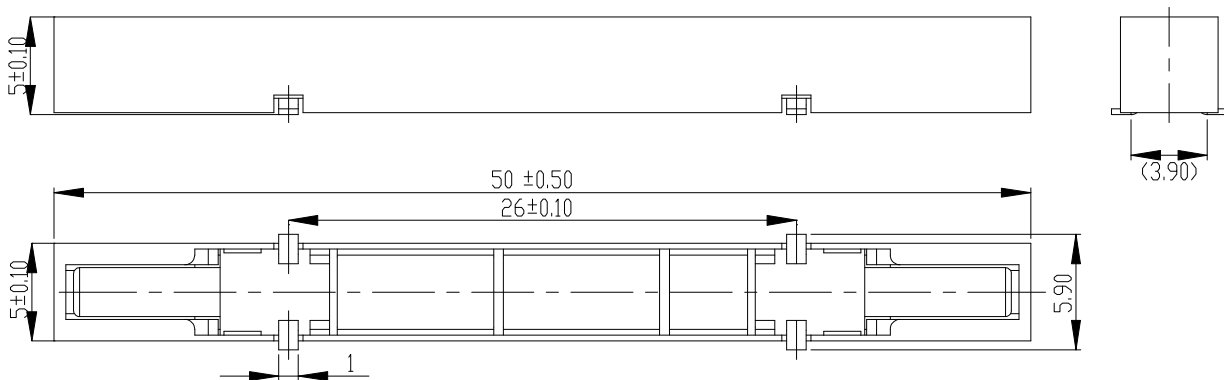
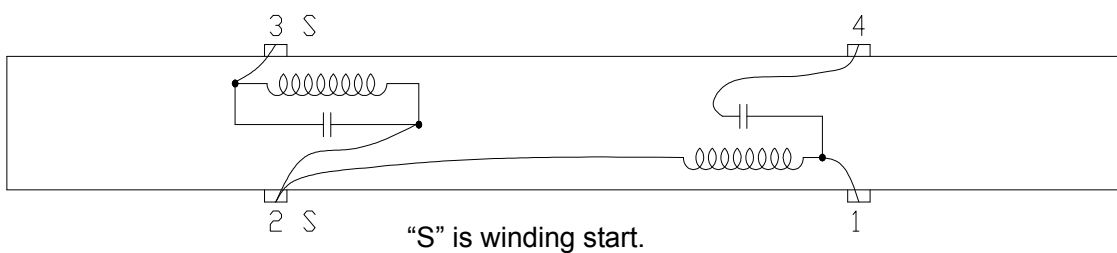
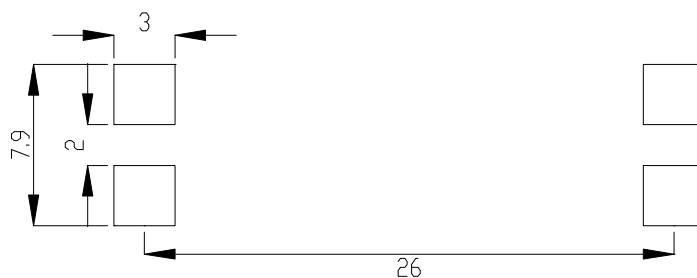


Type: CACL50
UNDER DEVELOPMENT
◆ Product Description

- 50.5mm Typ. × 5.9mm Max.(L × W), 5.1mm Max. Height.
- Operating frequency: 40kHz, 60kHz, 77.5kHz.


◆ Feature

- Radio control clock antenna with built-in capacitor.
- Ideally used in Radio control clock receiver, car, highway, railway, and hospital etc.
- RoHS Compliance.

◆ Dimensions (mm)

◆ Schematics(Bottom)

◆ Recommended Land Patterns(mm)


Type: CACL50◆ **Specification** (Sample No.SI08-032)

Part Name	Stamp	Impedance (Min.) at Turning Frequency	Turning Frequency	Test Condition
CACL50-60/40K	60/40K	130k Ω	40.0 \pm 0.2kHz	(3-4) Shorted
		250k Ω	60.0 \pm 0.2kHz	