

Type: GDT1310

◆ **Product Description**

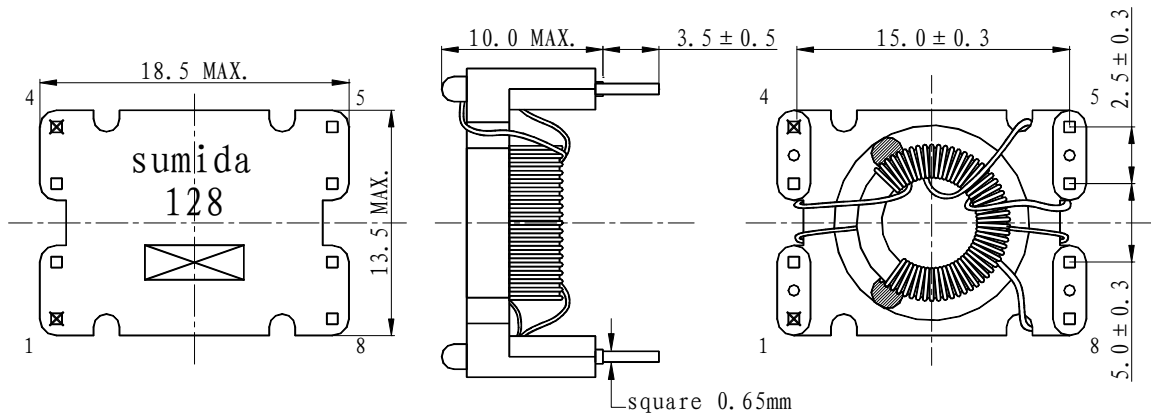
- 18.5×13.5mm Max.(L×W), 10.0mm Max. Height
- Custom design is available.



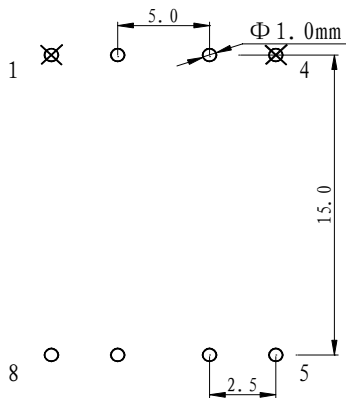
◆ **Feature**

- Meets medical safety insulation requirement.
- Off-line AC/DC converter.
- High-powered DC/DC converter.
- Operating frequency: 50kHz and up
- RoHS Compliance

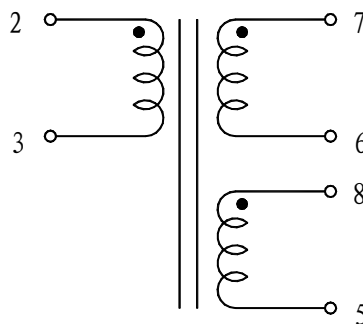
◆ **Dimensions (mm)**



◆ **Land Pattern**



◆ **Schematics (Bottom)**



◆ **Specification**

Sample No.	Turns Ratio	Pri.-Sec. Insulation	Primary L 100kHz/0.1V	Leakage L 100kHz/0.1V	D.C.R. Pri. (mΩ Max.)	D.C.R. Sec. (mΩ Max.)	E-T (V*μS)
PS05-128	1:1:1	3000Vac/1min.	850 μH ± 35%	3.0 μH Max.	264	252	63.36

※The ET value is based on ΔB 2400 Gauss.