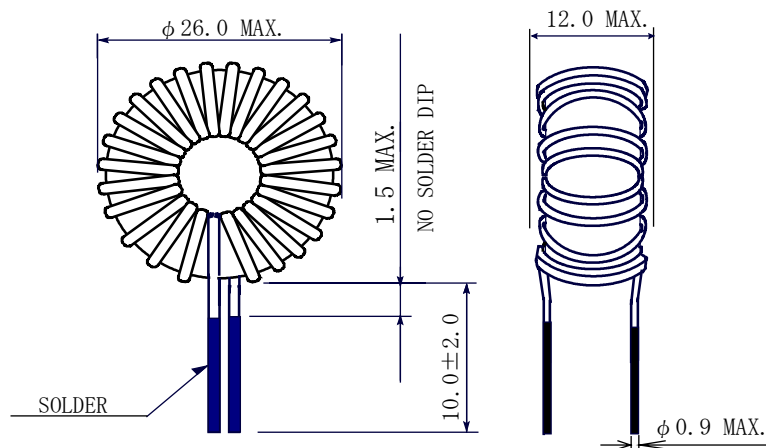


Type: PFN1025
◆ Product Description

- ϕ 26.0mm \times 12.0mm.MAX.
- In addition to the typical versions of parameters shown here, custom parameters are available to meet your exact requirements.


◆ Feature

- Iron dust core is used to realize better DC Saturation characteristics and higher noise absorption effect.
- Less leakage magnetic flux.
- Ideally used as Normal Mode chokes EMI suppression in power supply or signal line.
- Elimination for impulse noise.
- RoHS Compliance

◆ Dimensions (mm)

◆ Specification

PART NO.	Inductance (μ H) [MIN.] At 1kHz	D.C.R.(m Ω) [MAX.] (at20°C)	Impedance [MIN.]			Rated Current (A)※1
			①	②	③	
PFN1025NP-NM34A	32	31	1060 Ω a t 5MHz	1730 Ω a t 7MHz	820 Ω a t 15MHz	4.9
PFN1025NP-NM46A	59	43	1345 Ω a t 3MHz	2285 Ω a t 4MHz	2320 Ω a t 6MHz	4.3
PFN1025NP-NM56A	88	53	1370 Ω a t 2MHz	3160 Ω a t 3MHz	1770 Ω a t 5MHz	3.7

※1. Rated current: The DC current at which the temperature rise is $\Delta t=40^{\circ}\text{C}$. ($T_a=20^{\circ}\text{C}$).