

**Type: EER359**
**◆ Outline**

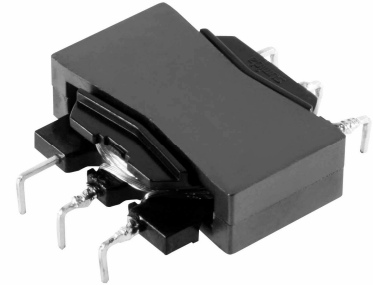
- Low profile and power factor improvement type.
- High power (100~150W : PFC circuit) and high-efficient

**◆ Product Description**

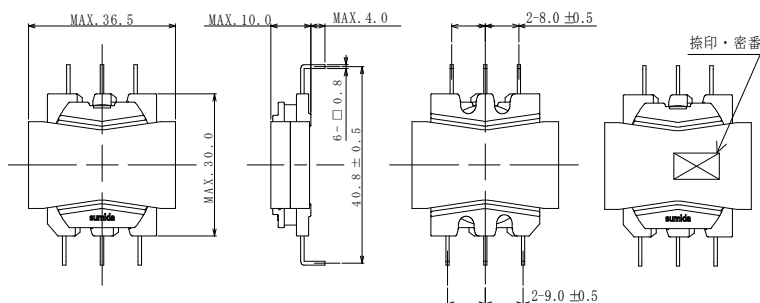
- 30.0 mm×36.5mm x H 10.0mm (all max.)

**◆ Feature**

- Low profile
- Rectangular wire
- RoHS Compliance


**◆ Applications**

- Large-size flat TV power
- Switching power supply
- Leakage choke coil for resonance power supply

**◆ Dimensions (mm)**

**◆ Electrical characteristic**

Saturation current \* Reference a graph

Condition:

L: 62  $\mu$  H

Terns: 19.5T

Electric wire diameter: Litz wire

( $\phi$  0.12mm×30)

