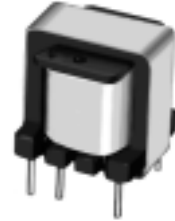
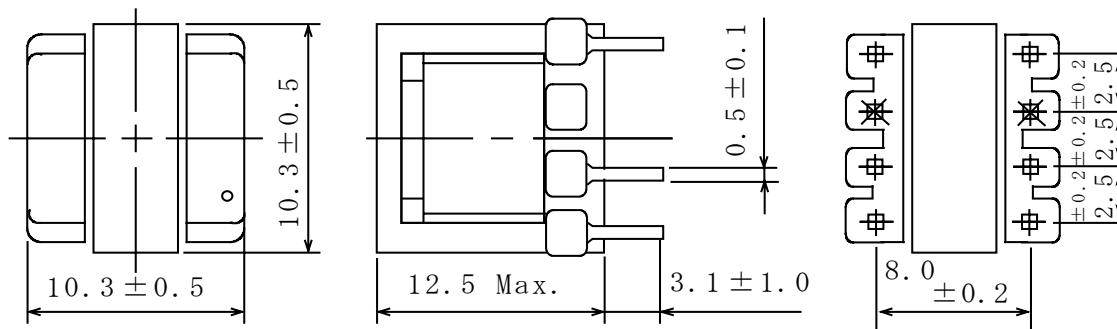
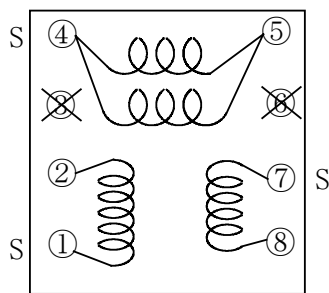


Type: EE1011
◆ Product Description

- 10.8×10.8mm Max.(L×W), 12.5mm Max. Height.
- In addition to the typical versions of parameters shown here, custom designs are available to meet your exact requirements


◆ Feature

- Max. Operating frequency 500kHz,
Max Operating Power 8.9W (500kHz), 6.0W(300kHz), 2.5W(100kHz).
- Ideally used as EL inverter transformers, camera strobe light transformers.
- RoHS Compliance

◆ Dimensions (mm)

◆ Schematics (Bottom)


“ S ” is winding start

◆ Specification

Sample No.	Inductance (1-2) 1kHz/1V	D.C.R. (4-5)	Hi-pot (1,2-4,5,7,8)	Hi-pot (1,2,4,5,7,8)-core
4384-T072	1.8mH ± 25%	40mΩ Max.	DC 1000V/1sec.	DC 1000V/1sec.