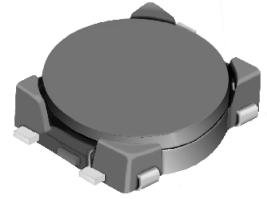
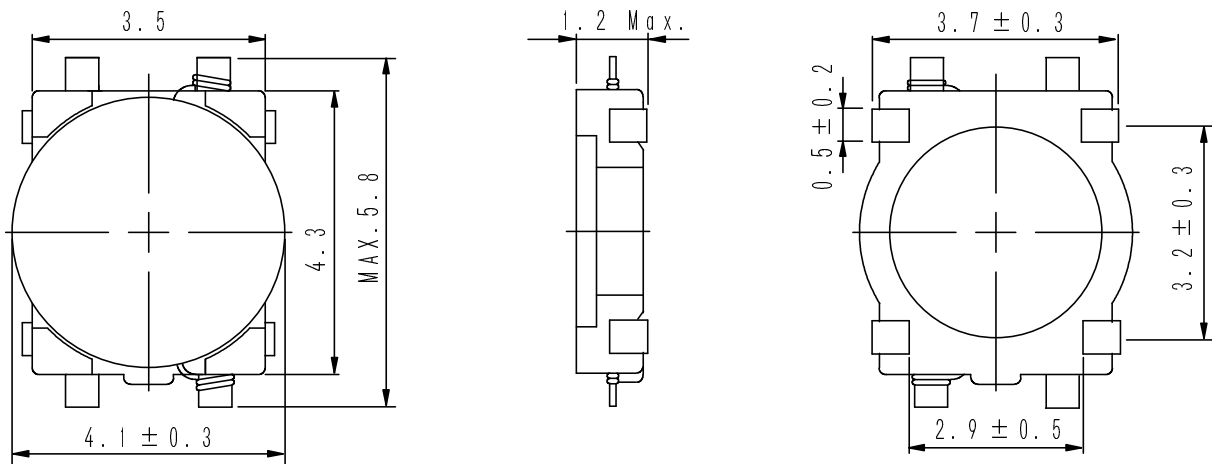
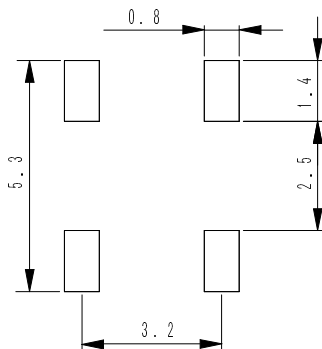
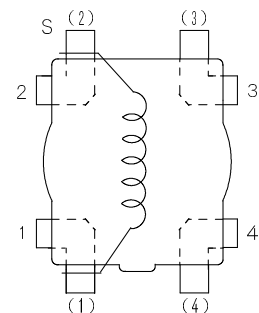


**Type: CMD4D11**
**◆ Product Description**

- 5.8 × 4.4mm Max.(L × W), 1.2mm Max.Height.
- Inductance range: 2.2 ~ 47 μH.
- Rated current range: 180 ~ 950mA.
- 4 Terminal pins' type gives a flexible design as inductors or transformers(SEPIC,ZETA circuit).
- In addition to the standards versions used as power inductors shown here, custom designs as transformers(SEPIC,ZETA circuit) and inductors are also available.


**◆ Feature**

- Magnetically unshielded construction.
- Ideally used in portable devices such as Mobilephone, DSC/DVC, MP3, PDA, etc as DC-DC Converter inductors, specially suitable for White LED drive.
- RoHS Compliance.

**◆ Dimensions (mm)**

**◆ Land Pattern (mm)**

**◆ Schematics(Bottom)**


“S” is winding start.

**Type: CMD4D11**
**◆ Specification**

Part No. ※	Stamp	Inductance ( $\mu$ H) 100kHz/1V	D.C.R. ( $m\Omega$ ) Max. (Typ.) (at 20°C)	Rated Current (mA) ※1
CMD4D11NP-2R2M□	2R2	2.2 $\pm$ 20%	116(89)	950
CMD4D11NP-3R3M□	3R3	3.3 $\pm$ 20%	174(134)	770
CMD4D11NP-4R7M□	4R7	4.7 $\pm$ 20%	216(166)	750
CMD4D11NP-6R8M□	6R8	6.8 $\pm$ 20%	296(228)	620
CMD4D11NP-100M□	100	10.0 $\pm$ 20%	457(352)	500
CMD4D11NP-150M□	150	15.0 $\pm$ 20%	676(520)	400
CMD4D11NP-220M□	220	22.0 $\pm$ 20%	1066(820)	300
CMD4D11NP-330M□	330	33.0 $\pm$ 20%	1647(1267)	240
CMD4D11NP-470M□	470	47.0 $\pm$ 20%	2843(2187)	180

**※ Description of Part Name**

CMD4D11NP-2R2M□

- B Box
- C Carrier Tape

※ Rated current: The D.C. current at which the inductance decreases to 90% of it's initial value or when  $\Delta t=40^\circ\text{C}$ , whichever is lower( $T_a=20^\circ\text{C}$ ).