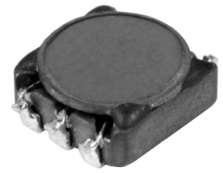


**Type: CLS8D28B**

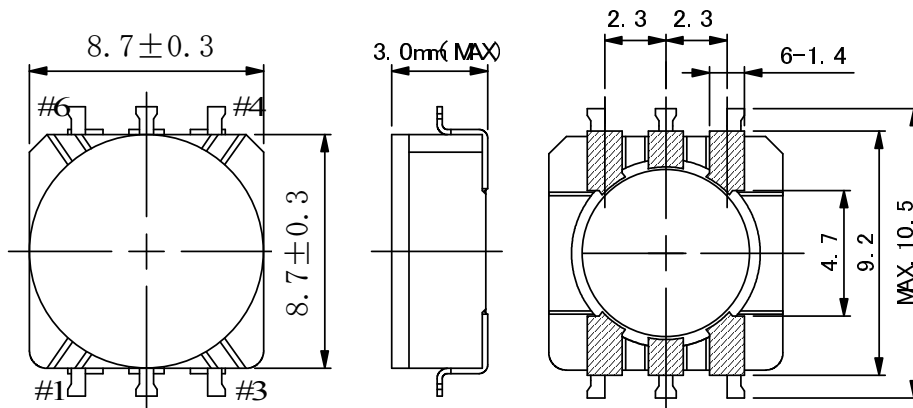
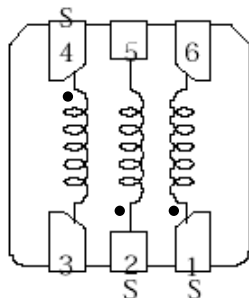
# UNDER DEVELOPMENT

**◆ Description**

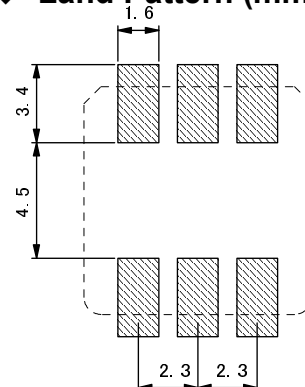
- 6 Terminal pins' type gives a flexible design as inductors or transformers.
- Can also be used as a triplex inductor, three single inductors connected in parallel, as 1:1:1 transformer or as an autotransformer when connected in series.
- Core material: Ferrite.
- Custom design is available.


**◆ Feature**

- Max. Operating frequency: 1MHz.
- 3 in 1 Coils for high efficiency up-down DC-DC converters.
- Storage temperature range: -40°C~+105°C.
- Operating temperature range: -40°C~+105°C (including coil's self-heat).
- Product weight: 890mg(Ref.).
- Ideally used in the power supply for DSC, Note PC, DVC and W-LED backlighting.
- RoHS Compliance.

**◆ Dimensions (mm)**

**◆ Schematics (Bottom)**


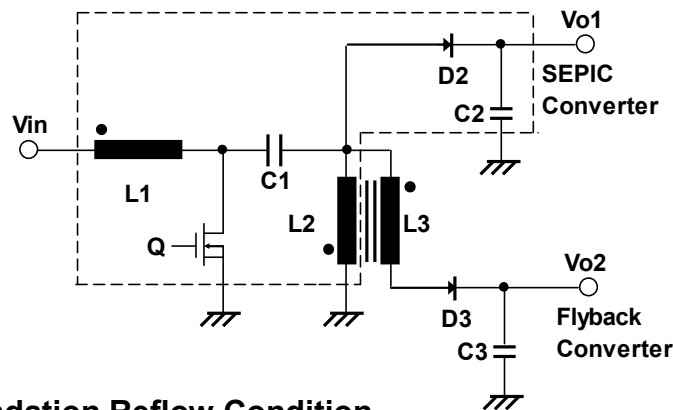
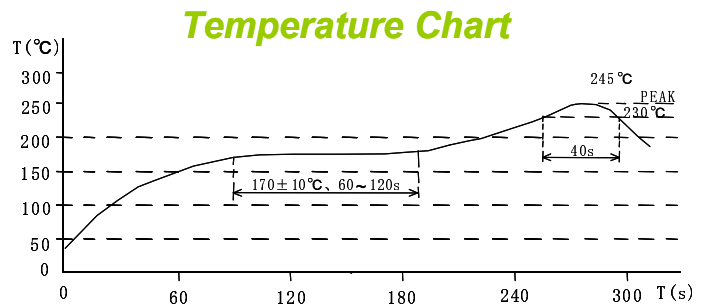
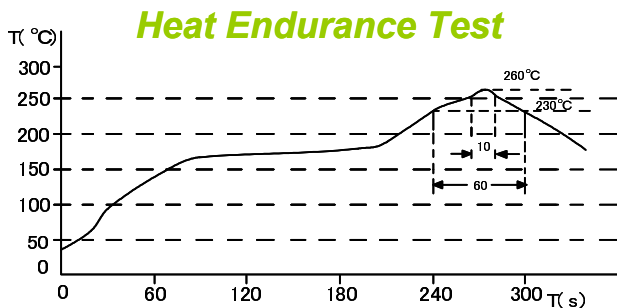
“ • ” indicates winding start.

**◆ Land Pattern (mm)**


**Type: CLS8D28B**
**◆ Specification**

Sample No.	Inductance (4-3)/(1-6)/(5-2) (100kHz/1.0V)	D.C.R. (4-3)	D.C.R. (1-6)/(5-2)	Rated current (1-2-4)Tie (3,5,6)
A437-8D28B-AIZ003	100 $\mu$ H $\pm$ 30%	190m $\Omega$ Max.	250m $\Omega$ Max.	0.45A

※ Rated current: The D.C. current at which the inductance decreases to 90% of its initial value or when  $\Delta t=40^{\circ}\text{C}$ , whichever is lower ( $T_a=20^{\circ}\text{C}$ ).

**◆ Typical SEPIC + Flyback Schematic**

**◆ Recommendation Reflow Condition**

**◆ Packaging with Embossed Tape and Reel**

Qty.: 1000pcs/reel

