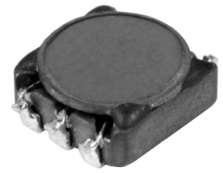
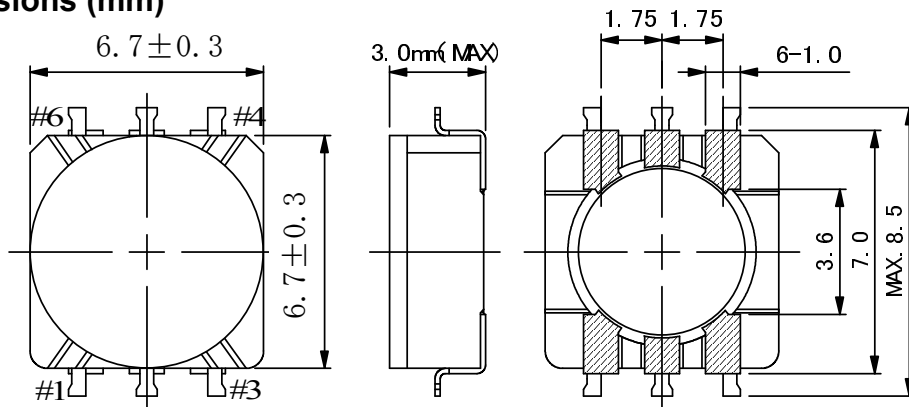
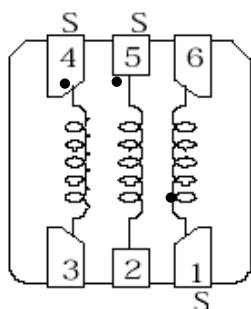


Type: CLS6D28B
UNDER DEVELOPMENT
◆ Description

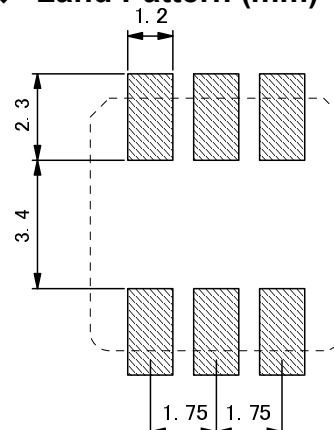
- 6 Terminal pins' type gives a flexible design as inductors or transformers.
- Can also be used as a triplex inductor, three single inductors connected in parallel, as 1:1:1 transformer or as an autotransformer when connected in series.
- Core material: Ferrite.
- Custom design is available.


◆ Feature

- Max. Operating frequency: 1MHz.
- 3 in 1 Coils for high efficiency up-down DC-DC converters.
- Storage temperature range: -40°C~+105°C.
- Operating temperature range: -40°C~+105°C (including coil's self-heat).
- Product weight: 530mg(Ref.).
- Ideally used in the power supply for DSC, Note PC, DVC and W-LED backlighting.
- RoHS Compliance.

◆ Dimensions (mm)

◆ Schematics (Bottom)


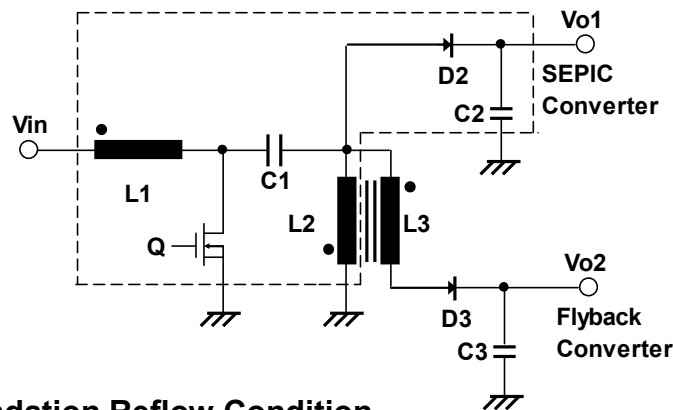
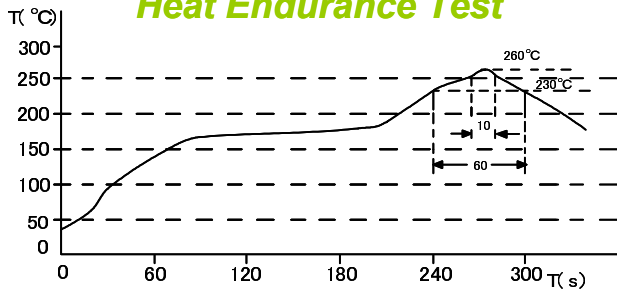
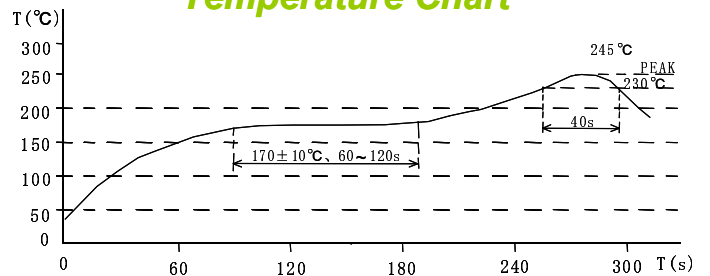
“ • ” indicates winding start.

◆ Land Pattern (mm)


Type: CLS6D28B
◆ Specification

Sample No.	Inductance (4-3)/(5-2)/(1-6) (100kHz/1.0V)	D.C.R. (4-3)	D.C.R. (1-6)/(5-2)	Rated current (1-4-5)Tie (2,3,6)
A536-SZK-001	10 μ H \pm 30%	120m Ω Max.	150m Ω Max.	0.75A

※ Rated current: The D.C. current at which the inductance decreases to 90% of its initial value or when $\Delta t=40^{\circ}\text{C}$, whichever is lower ($T_a=20^{\circ}\text{C}$).

◆ Typical SEPIC + Flyback Schematic

◆ Recommendation Reflow Condition
Heat Endurance Test

Temperature Chart

◆ Packaging with Embossed Tape and Reel
Qty.: 1500pcs/reel
