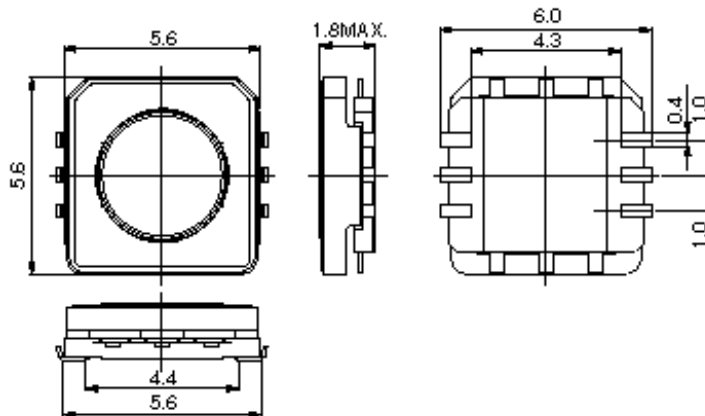


**Type: CLQ5D16**
**◆ Product Description**

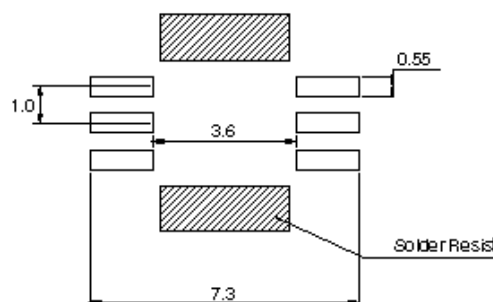
- 6.0×5.6mm Max.(L×W), 1.8mm Max.(Height)
- In addition to the typical versions of parameters shown here, customer designs are available to meet your exact requirements


**◆ Feature**

- Magnetically shielded construction.
- Max. Operating frequency 1MHz, Max Operating Power 440mW (1MHz).
- Ideally used in Digital camera, Digital video camera, LCD TV, Portable equipment.
- RoHs Compliance

**◆ Dimensions (mm)**


\* Dimension does not include solder used on coil.

**◆ Land Pattern (mm)**


✦ In order to prevent short-circuiting, a solder resist is recommended.

**◆ Electrical Parameters**

Max. Operating frequency	Max. Operating Power
1MHz	130mW at 300kHz
	220mW at 500kHz
	440mW at 1MHz