

# SMD Power Inductor CDBH6D28



*Under Development*



## Description

- Ferrite core construction
- Magnetically shielded
- L × W × H: 8.5 × 6.3 × 3.0 mm Max.
- Product weight: 0.6g(Ref.)
- Moisture Sensitivity Level: 1
- RoHS compliance.

## Environmental Data

- Operating temperature range: -40°C ~ +125°C (including coil's self temperature rise)
- Storage temperature range: -40°C ~ +105°C
- Solder reflow temperature: 260 °C peak.

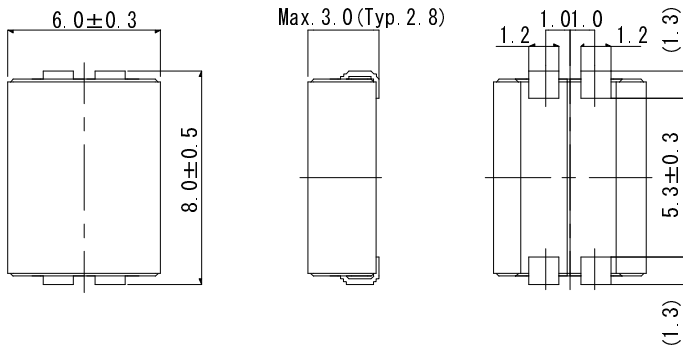
## Packaging

- Carrier tape and reel packaging.

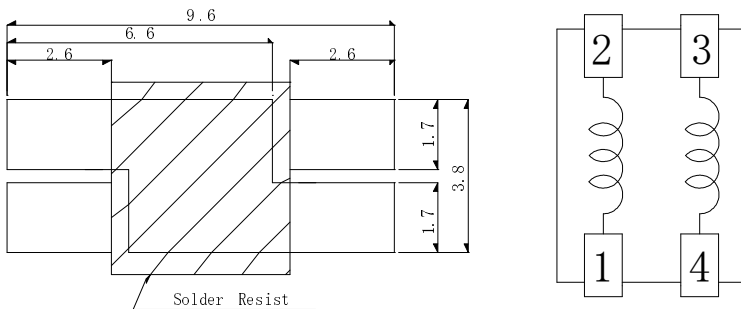
## Applications

- Ideally used in the multiple chopper type DC/DC converters for servers and various decentralized power supplies.

## Dimension - inch [mm]



## Land pattern and Schematics - inch [mm]



## Electrical Characteristics

	Standard	Condition
Inductance (1-3) ※1	0.47μH ± 20%(Within)	at 100kHz (PIN 2,4connection)
(D.C.R.)(1-2),(3-4)	0.60mΩ (Typ.)	at 20°C
Inductance(1-2),(3-4)	0.15μH(Typ.)	at 100kHz
The saturation current(1-3) ※2	9.5A	at 20°C (PIN 2,4connection)
	7.0A	at 125°C (PIN 2,4connection)
The temperature rise current(1-3) ※3	21.0A	(PIN 2,4connection)

※1 Inductance measuring condition: at 100 kHz.

※2 Saturation current: The DC current at which the inductance decreases to 75% of its nominal value.

※3 Temperature rise current: The DC current at which the temperature rise is ΔT=40°C.(Ta=20°C)

# SMD Power Inductor CDBH6D28

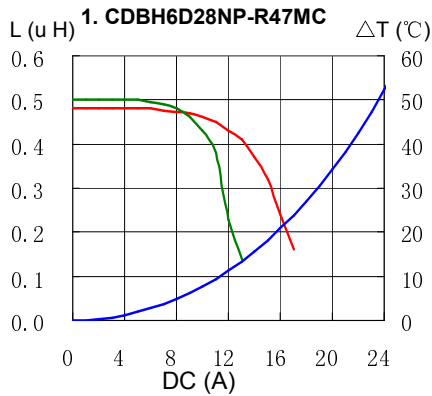


**sumida**

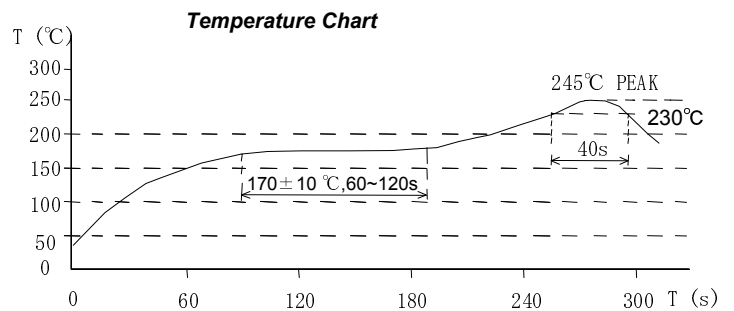
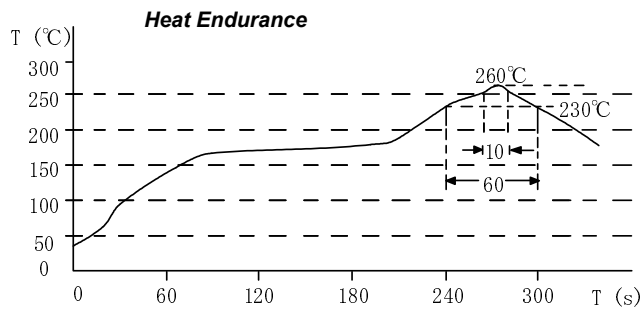
*Under Development*

## Saturation Current & Temperature Rise Graph

— L (20°C) — L (125°C) —  $\Delta T$



## Solder Reflow Condition



Please refer to the sales offices on our website - <http://www.sumida.com>

### Hong Kong

Tel.+852-2880-6688  
FAX.+852-2565-9600  
[sales@hk.sumida.com](mailto:sales@hk.sumida.com)

### Tokyo

Tel.+81-3-5202-7112  
FAX.+81-3-5202-7105  
[sales@jp.sumida.com](mailto:sales@jp.sumida.com)

### Chicago

Tel.+1-847-545-6700  
FAX. +1-847-545-6720  
[sales@us.sumida.com](mailto:sales@us.sumida.com)

### Shanghai

Tel.+86-021-5836-3299  
FAX.+86-021-5836-3266  
[shanghai.sales@cn.sumida.com](mailto:shanghai.sales@cn.sumida.com)

### Seoul

Tel.+82-2-6237-0777  
FAX.+82-2-6237-0778  
[sales@kr.sumida.com](mailto:sales@kr.sumida.com)

### Oberzell

Tel.+49-8591-937-0  
FAX. +49-8591-937-103  
[contact@sumida-eu.com](mailto:contact@sumida-eu.com)

### Shenzhen

Tel.+86-755-8291-0228  
FAX.+86-755-8291-0338  
[shenzhen.sales@cn.sumida.com](mailto:shenzhen.sales@cn.sumida.com)

### Singapore

Tel.+65-6296-3388  
FAX.+65-6296-3390  
[sales@sg.sumida.com](mailto:sales@sg.sumida.com)

### Neumarkt

Tel.+49-9181-4509-110  
FAX. +49-9181-4509-310  
[infocomp@eu.sumida.com](mailto:infocomp@eu.sumida.com)

### Taipei

Tel.+886-2-8751-2737  
FAX.+886-2-8751-2738  
[sales@tw.sumida.com](mailto:sales@tw.sumida.com)

### San Jose

Tel.+1-408-321-9660  
FAX.+1-408-321-9308  
[sales@us.sumida.com](mailto:sales@us.sumida.com)