

SMD Power Inductor CDRH129B



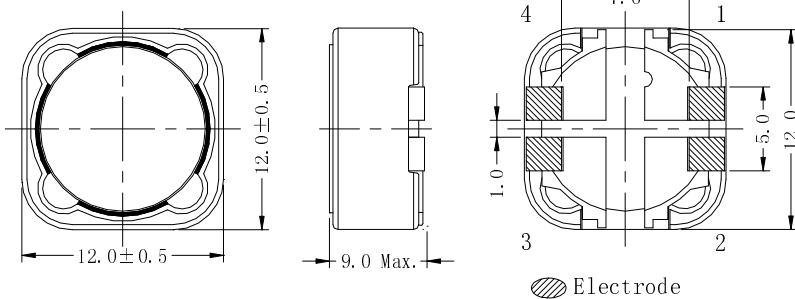
Halogen Free



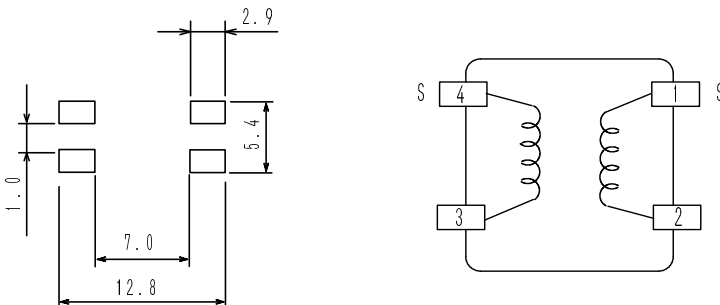
Description

- Ferrite drum core construction.
- Magnetically shielded.
- Winding to Winding voltage rating: 220Vrms.
- L × W × H: 12.5 × 12.5 × 9.0 mm Max.
- Product weight: 4.5g(Ref.)
- Moisture Sensitivity Level: 1
- RoHS compliance.
- Halogen Free available.

Dimension - [mm]



Land pattern and Schematics - [mm]



Environmental Data

- Operating temperature range: -40°C ~ +125°C (including coil's self temperature rise)
- Storage temperature range: -40°C ~ +125°C
- Solder reflow temperature: 260 °C peak.

Packaging

- Carrier tape and reel packaging.
- 13" diameter reel.
- 300pcs per reel.

Applications

- Ideally used in LED lighting, DC/DC Converters and Transformer etc.

Electrical Characteristics

		Measuring condition	
Inductance	(1-2)	150 μ H \pm 20% Within	1kHz, 1V
	(4-3)	40 μ H \pm 20% Within	1kHz, 1V
D.C.R.	(1-2)	0.23 Ω Max.(0.18 Ω Typ.)	at 20°C
	(4-3)	0.66 Ω Max.(0.53 Ω Typ.)	at 20°C
Saturation Current ※1	(1-2)	2.1A	
	(4-3)	3.5A	
Temperature rise Current ※2	(1-2)	2.0A	
	(4-3)	1.0A	

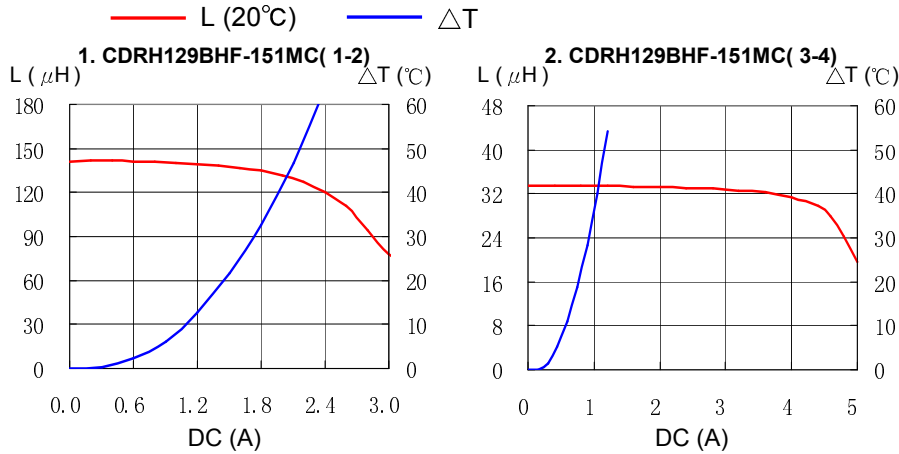
※1 The saturation current: This indicates the value of DC current when the inductance decreases to 70% of it's nominal.

※2 Temperature rise current: The value of DC current when the temperature rise is $\Delta T = 40^\circ\text{C}$ ($T_a = 20^\circ\text{C}$).

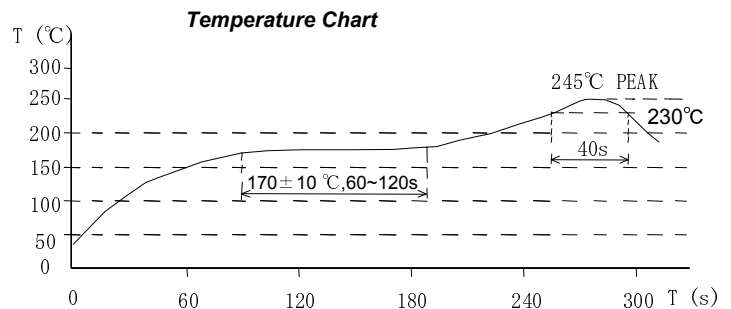
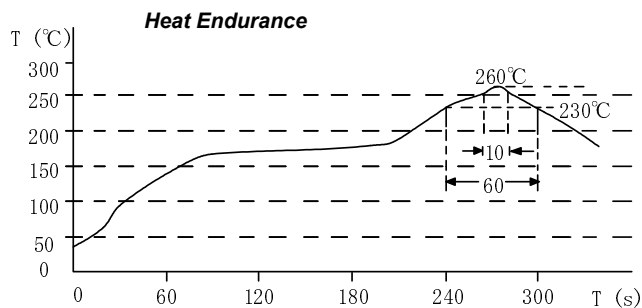
SMD Power Inductor CDRH129B



Saturation Current & Temperature Rise Graph



Solder Reflow Condition



Please refer to the sales offices on our website - <http://www.sumida.com>

Hong Kong

Tel. +852-2880-6688
FAX. +852-2565-9600
sales@hk.sumida.com

Tokyo

Tel. +81-3-5202-7112
FAX. +81-3-5202-7105
sales@jp.sumida.com

Chicago

Tel. +1-847-545-6700
FAX. +1-847-545-6720
sales@us.sumida.com

Shanghai

Tel. +86-021-5836-3299
FAX. +86-021-5836-3266
shanghai.sales@cn.sumida.com

Seoul

Tel. +82-2-6237-0777
FAX. +82-2-6237-0778
sales@kr.sumida.com

Oberzell

Tel. +49-8591-937-0
FAX. +49-8591-937-103
contact@sumida-eu.com

Shenzhen

Tel. +86-755-8291-0228
FAX. +86-755-8291-0338
shenzhen.sales@cn.sumida.com

Singapore

Tel. +65-6296-3388
FAX. +65-6296-3390
sales@sg.sumida.com

Neumarkt

Tel. +49-9181-4509-110
FAX. +49-9181-4509-310
infocomp@eu.sumida.com

Taipei

Tel. +886-2-8751-2737
FAX. +886-2-8751-2738
sales@tw.sumida.com

San Jose

Tel. +1-408-321-9660
FAX. +1-408-321-9308
sales@us.sumida.com