

SMD Power Inductor CDRH5D14/HP



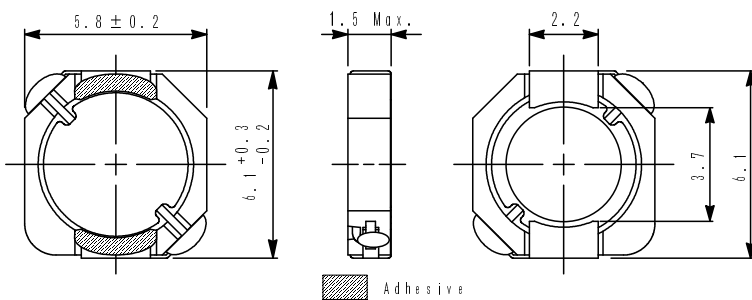
Halogen Free



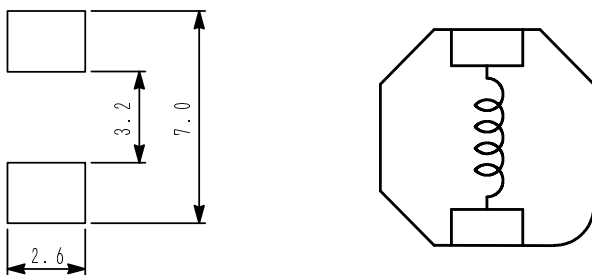
Description

- Ferrite drum core construction.
- Magnetically shielded.
- L × W × H: 6.4 × 6.0 × 1.5 mm Max.
- Product weight: 175mg(Ref.)
- Moisture Sensitivity Level: 1
- RoHS compliance.
- Halogen Free available.

Dimension - [mm]



Land pattern and Schematics - [mm]



Electrical Characteristics

Part Name	Stamp	Inductance (μ H) [within] ※1	D.C.R. (m Ω) Max. (Typ.) (at 20°C)	Saturation Current (A) ※2		Temperature Rise Current (A) ※3
				at 20°C	at 100°C	
CDRH5D14HPNP-R32NC	R32	0.32 ± 30%	19.5(15)	6.4	5.0	4.4
CDRH5D14HPNP-R60NC	R60	0.6 ± 30%	22.5(18)	6.0	4.0	3.9
CDRH5D14HPNP-R90NC	R90	0.9 ± 30%	27.5(22)	5.0	3.2	3.5
CDRH5D14HPNP-1R4NC	1R4	1.4 ± 30%	40.3(32)	3.9	2.9	2.8
CDRH5D14HPNP-2R0NC	2R0	2.0 ± 30%	57.5(46)	3.2	2.4	2.3
CDRH5D14HPNP-3R3NC	3R3	3.3 ± 30%	96.5(77)	2.6	1.9	1.7
CDRH5D14HPNP-5R1NC	5R1	5.1 ± 30%	140(112)	2.0	1.5	1.4
CDRH5D14HPNP-7R5NC	7R5	7.5 ± 30%	210(168)	1.7	1.2	1.1
CDRH5D14HPNP-100NC	100	10 ± 30%	280(222)	1.4	1.1	0.94
CDRH5D14HPNP-120NC	120	12 ± 30%	345(275)	1.2	0.97	0.80
CDRH5D14HPNP-150NC	150	15 ± 30%	448(358)	1.1	0.85	0.70
CDRH5D14HPNP-220NC	220	22 ± 30%	670(536)	0.96	0.72	0.61

※1. Inductance measuring condition: at 100kHz.

※2. Saturation current: The value of D.C. current when the inductance decreases to 65% of its nominal value.

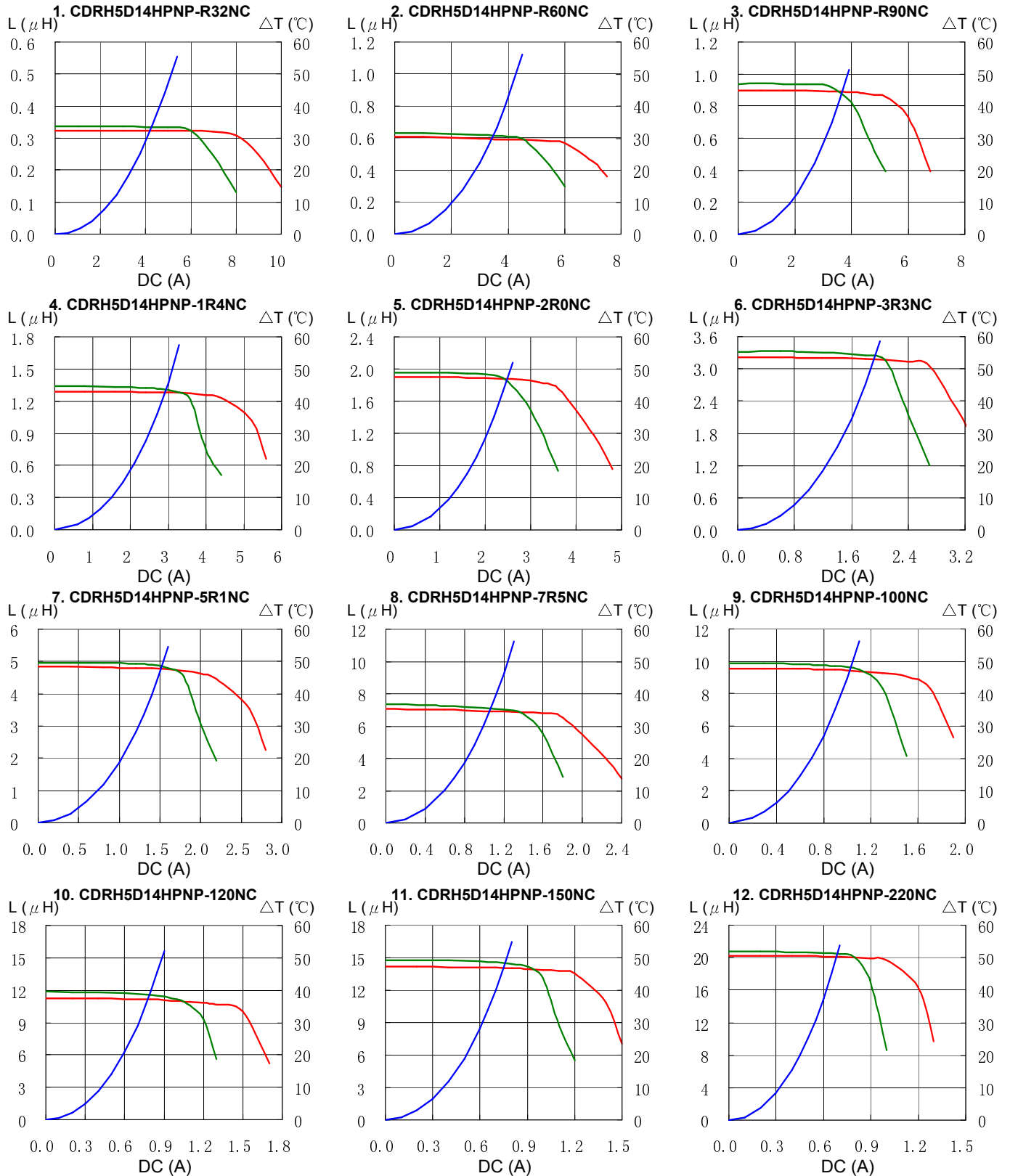
※3. Temperature rise current: The value of D.C. current when the temperature rise is $\Delta t = 40^\circ\text{C}$ ($T_a = 20^\circ\text{C}$).

SMD Power Inductor CDRH5D14/HP



Saturation Current & Temperature Rise Graph

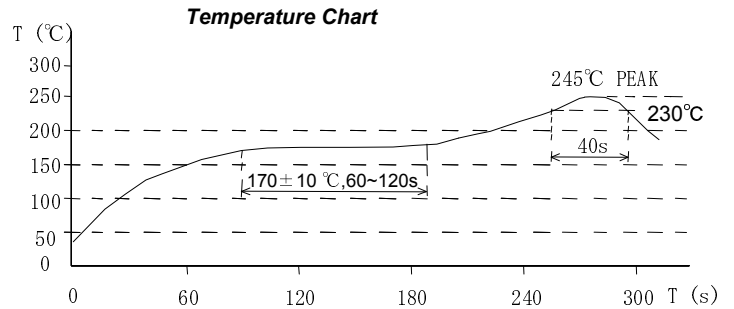
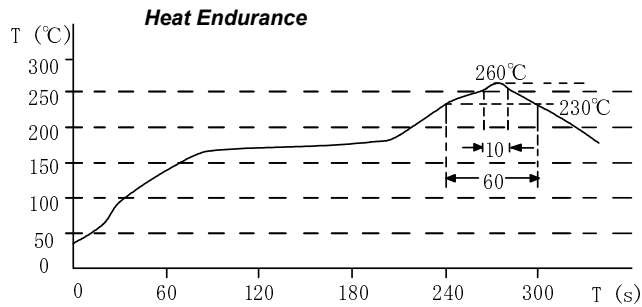
— L (20°C) — L (105°C) — ΔT



SMD Power Inductor CDRH5D14/HP



Solder Reflow Condition



Please refer to the sales offices on our website - <http://www.sumida.com>

Hong Kong

Tel.+852-2880-6688
FAX.+852-2565-9600
sales@hk.sumida.com

Tokyo

Tel.+81-3-5202-7112
FAX.+81-3-5202-7105
sales@jp.sumida.com

Chicago

Tel.+1-847-545-6700
FAX. +1-847-545-6720
sales@us.sumida.com

Shanghai

Tel.+86-021-5836-3299
FAX.+86-021-5836-3266
shanghai.sales@cn.sumida.com

Seoul

Tel.+82-2-6237-0777
FAX.+82-2-6237-0778
sales@kr.sumida.com

Oberzell

Tel.+49-8591-937-0
FAX. +49-8591-937-103
contact@sumida-eu.com

Shenzhen

Tel.+86-755-8291-0228
FAX.+86-755-8291-0338
shenzhen.sales@cn.sumida.com

Singapore

Tel.+65-6296-3388
FAX.+65-6296-3390
sales@sg.sumida.com

Neumarkt

Tel.+49-9181-4509-110
FAX. +49-9181-4509-310
infocomp@eu.sumida.com

Taipei

Tel.+886-2-8751-2737
FAX.+886-2-8751-2738
sales@tw.sumida.com

San Jose

Tel.+1-408-321-9660
FAX.+1-408-321-9308
sales@us.sumida.com