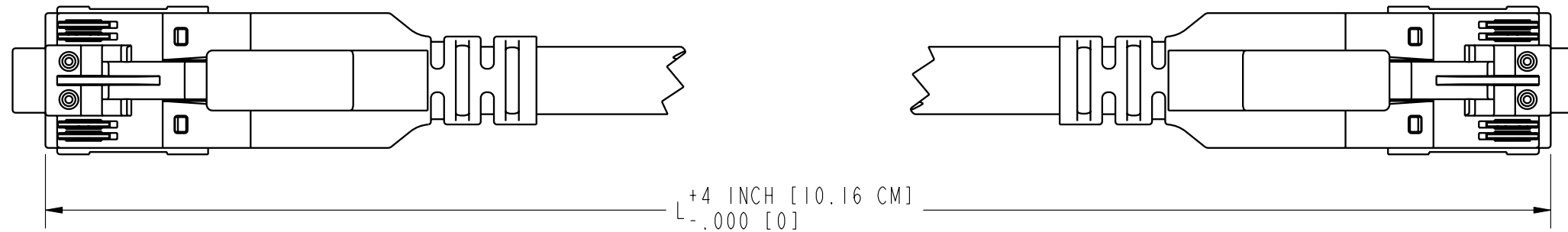


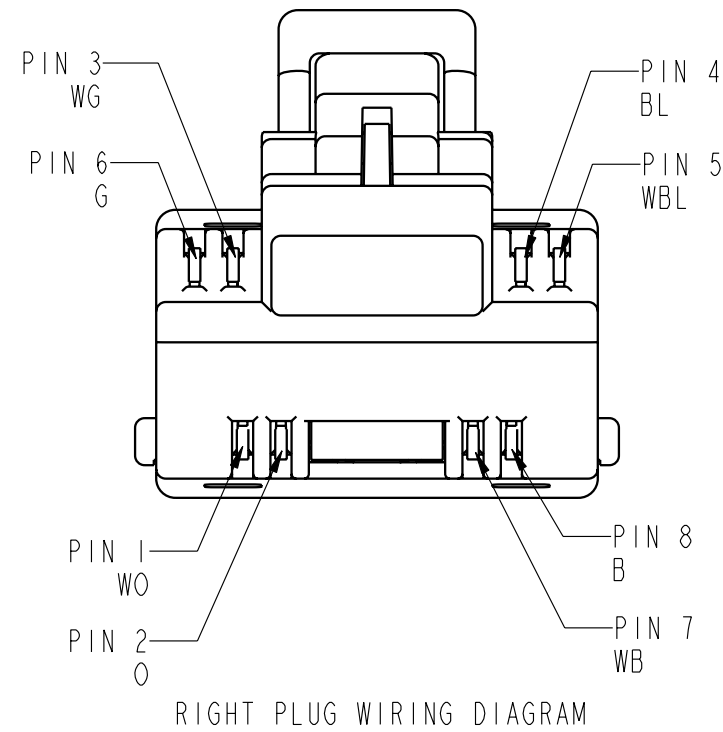
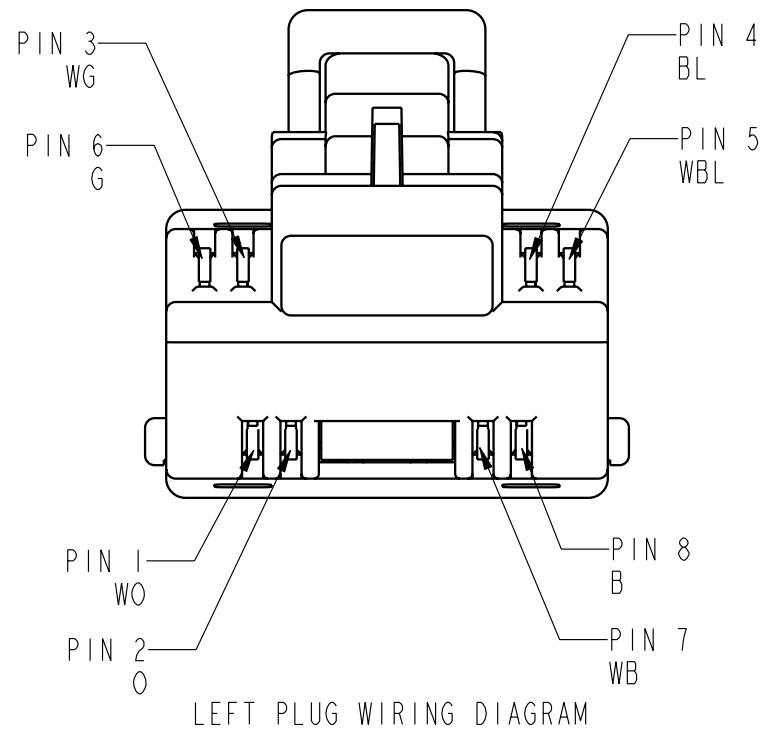
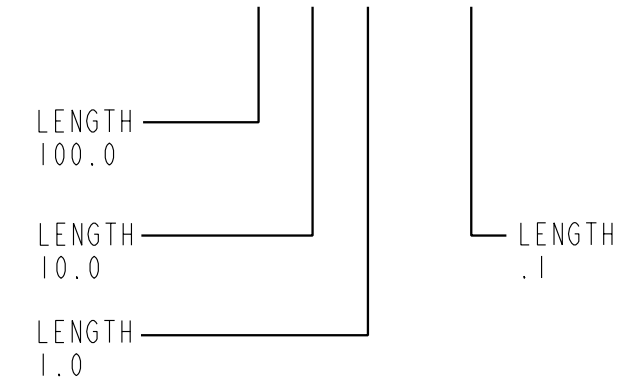
DATE	REV.	ECN	APP'D BY
12/20/06	X0	-	DHG
05/07/07	A0	8041	DHG
12/05/07	A1	8304	SAW

LEFT PLUG: CAT7

RIGHT PLUG: CAT7

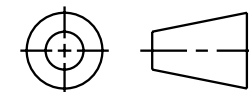


# CA77-XXMX-8



10 METER	CA77-010M0-8
7 METER	CA77-007M0-8
5 METER	CA77-005M0-8
3 METER	CA77-003M0-8
2 METER	CA77-002M0-8
1 METER	CA77-001M0-8
STANDARD LENGTHS	PART NUMBER

THIRD ANGLE PROJECTION



## Bel Stewart Connector

11118 Susquehanna Trail South  
 Glen Rock, PA 17327-9199  
 (717) 235-7512 Fax: (717) 235-7954 <http://www.stewartconnector.com>

DO NOT SCALE DRAWING

DRAWING IS SUBJECT TO CHANGE WITHOUT NOTICE

DIMENSIONS: FEET [METER]

UNLESS OTHERWISE SPECIFIED TOLERANCES ARE ±.005 [0.13] ANGLES ARE ±1°

SHEET NO. 1 OF 1

TITLE: ARJ45 HS CAT 7A TO CAT 7A STANDARD LENGTH PATCH CORD ASSEMBLY, METER

THIS DRAWING AND THE SUBJECT MATTER SHOWN THEREON ARE CONFIDENTIAL AND THE PROPRIETARY PROPERTY OF BEL STEWART CONNECTOR AND SHALL NOT BE REPRODUCED, COPIED, OR USED IN ANY MANNER WITHOUT PRIOR WRITTEN CONSENT OF BEL STEWART CONNECTOR. THE SUBJECT MATTER MAY BE PATENTED OR A PATENT MAY BE PENDING.

DRN BY: SAW DATE 12/20/06

APPD BY: DHG DATE 12/20/06

DWG. NO. CTCA77-002 REV. A1

B=BROWN	BL=BLUE
WB=WHITE/BROWN	WBL=WHITE/BLUE
G=GREEN	O=ORANGE
WG=WHITE/GREEN	WO=WHITE ORANGE