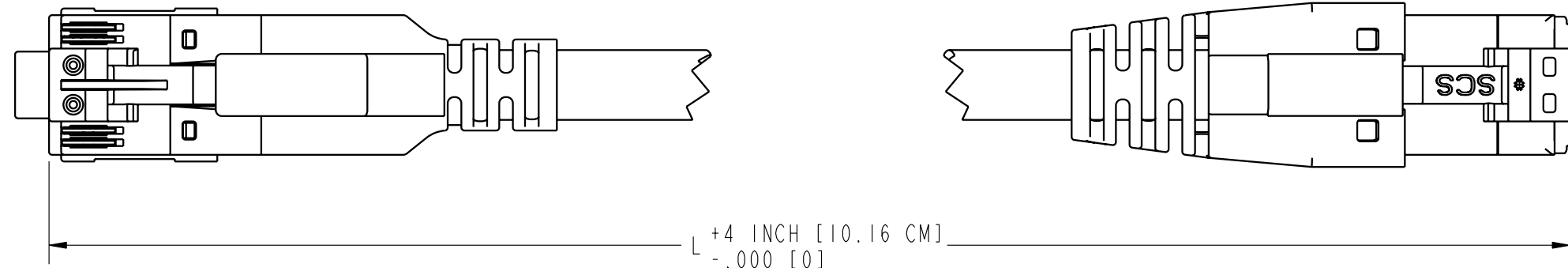


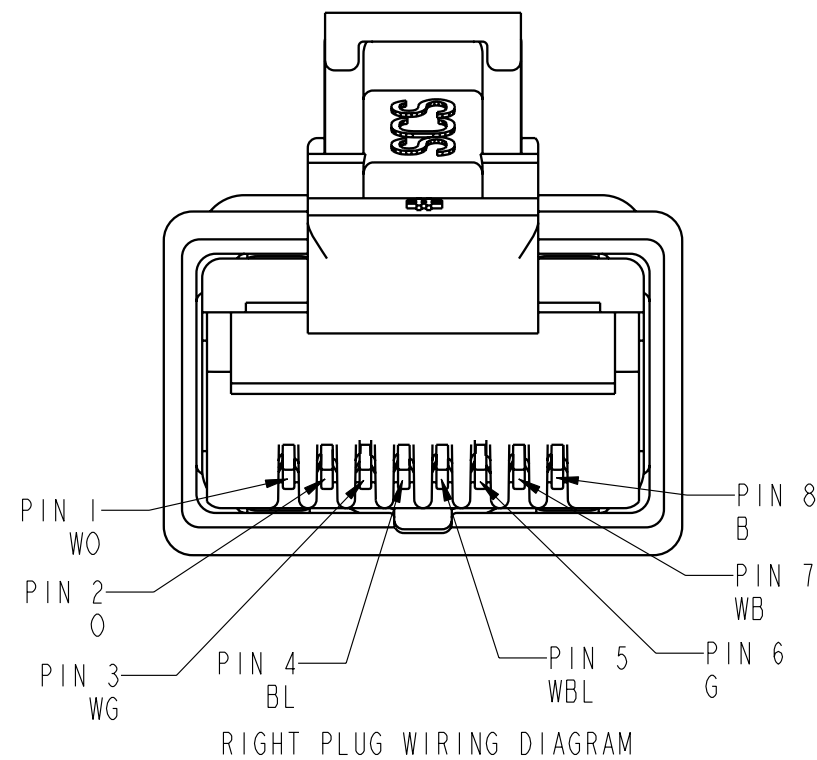
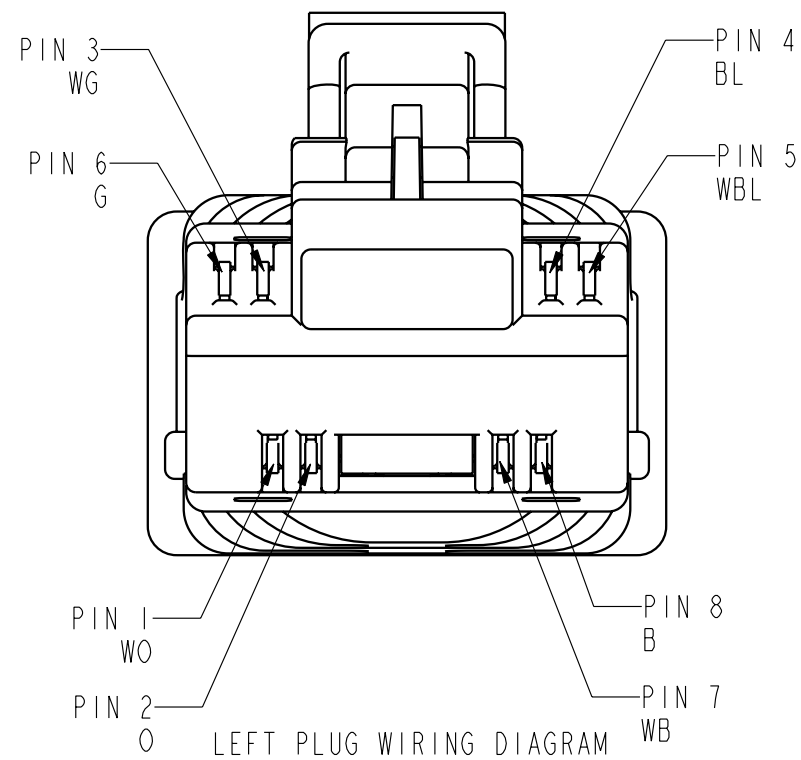
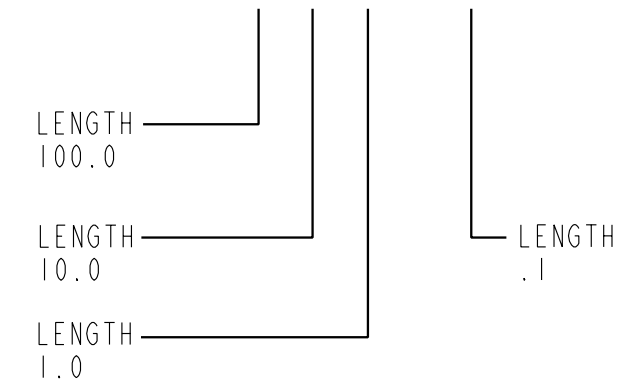
DATE	REV.	ECN	APP'D BY
05/07/07	A0	8041	DHG
2/8/08	A1	8354	DHG
2-4-11	B0	9138	SAW

LEFT PLUG: CAT7

RIGHT PLUG: CAT6A



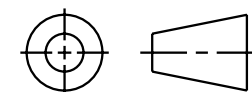
CA76-XXMX-8



10 METER	CA76-010M0-8
7 METER	CA76-007M0-8
5 METER	CA76-005M0-8
3 METER	CA76-003M0-8
2 METER	CA76-002M0-8
1 METER	CA76-001M0-8
LENGTH	PART NUMBER

REV. 7/3/03

THIRD ANGLE PROJECTION



DO NOT SCALE DRAWING
DRAWING IS SUBJECT TO
CHANGE WITHOUT NOTICE

DIMENSIONS: FEET (METER)

UNLESS OTHERWISE SPECIFIED
TOLERANCES ARE ±.005 [0.13]
ANGLES ARE ±1°

SHEET NO.
1 OF 1

Bel Stewart Connector

11118 Susquehanna Trail South
Glen Rock, PA 17327-9199
(717) 235-7512 Fax: (717) 235-7954 <http://www.stewartconnector.com>

TITLE: ARJ45 HS CAT 7A TO CAT 6A STANDARD LENGTH
PATCH CORD ASSEMBLY, METER

THIS DRAWING AND THE SUBJECT MATTER SHOWN THEREON
ARE CONFIDENTIAL AND THE PROPRIETARY PROPERTY OF
BEL STEWART CONNECTOR AND SHALL NOT BE REPRODUCED,
COPIED, OR USED IN ANY MANNER WITHOUT PRIOR WRITTEN
CONSENT OF BEL STEWART CONNECTOR. THE SUBJECT
MATTER MAY BE PATENTED OR A PATENT MAY BE PENDING.

DRN BY: SAW DATE 12/20/06

APPD BY: DHG DATE 12/20/06

DWG. NO. CTCA76-002 REV. B0