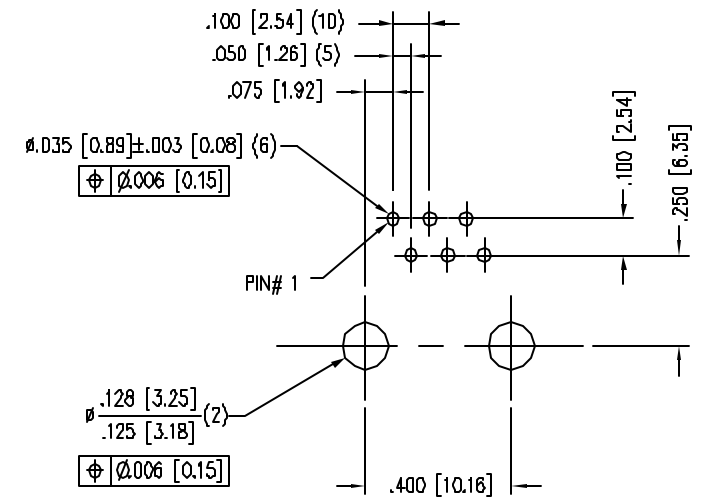


2

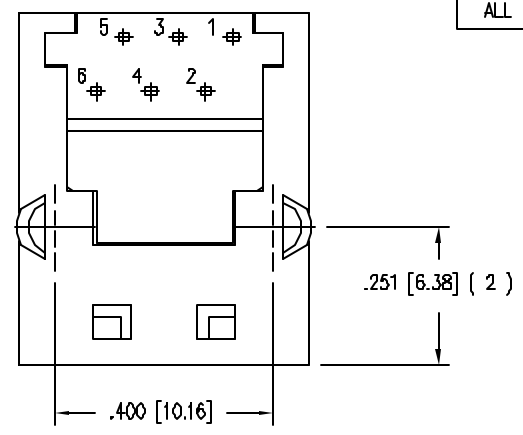
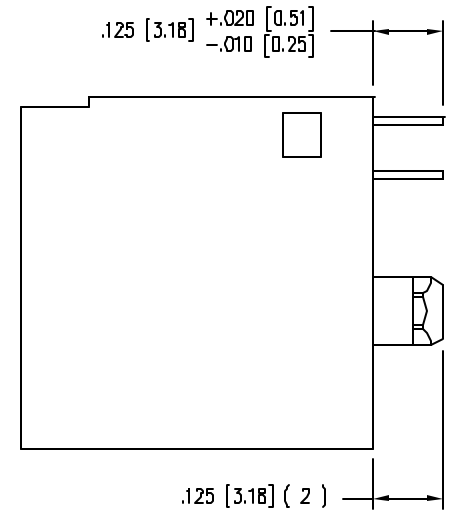
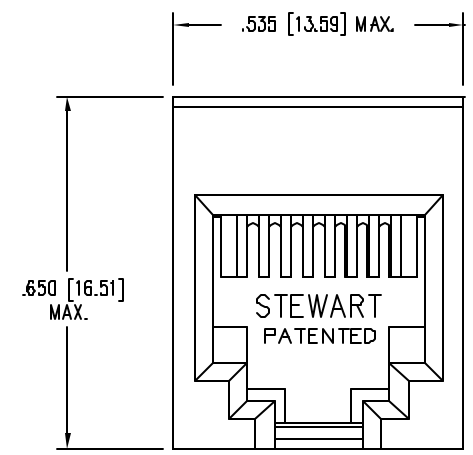
1

DATE	REV	ECN	APP'D. BY
4/11/03	A2	5913	RGC
11-18-05	A3	7390	TRM
1-17-06	A4	7435	JM
2/07/06	B0	7489	JM



B

B



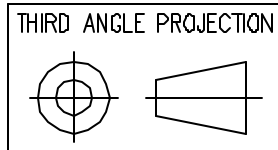
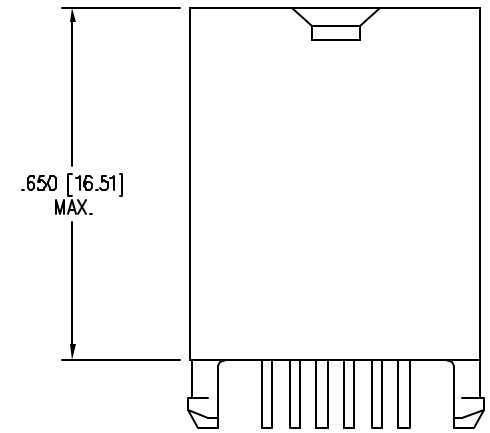
P.C.B. RECOMMENDED HOLE LAYOUT  
SEEN FROM COMPONENT SIDE  
ALL CENTERLINE DIMENSIONS ARE BASIC.

- NOTES:
- CONNECTOR MATERIALS:  
HOUSING: THERMOPLASTIC UL94 V-0  
CONTACTS: COPPER ALLOY  
CONTACT PLATING: SELECTIVE GOLD IN CONTACT AREA  
SEE CHART FOR PART NUMBER
  - FOR PRODUCT SPECIFICATION SEE PRO26-01.
  - DIMENSIONS AND TOLERANCES COMPLY WITH FCC/CFR 47, PART 68.

50 MICRO-INCHES [1.27um]	SS-6566-NF-50
30 MICRO-INCHES [0.76um]	SS-6566-NF
CONTACT PLATING IN MATING AREA	PART NUMBER

A

A



# Bel Stewart Connector

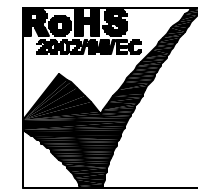
11118 Susquehanna Trail South  
Glen Rock, PA 17327-9199  
(717) 235-7512 Fax: (717) 235-7954 <http://www.stewartconnector.com>

DO NOT SCALE DRAWING  
DRAWING IS SUBJECT TO  
CHANGE WITHOUT NOTICE  
DIMENSIONS: INCHES [METRIC]  
UNLESS OTHERWISE SPECIFIED  
TOLERANCES ARE  $\pm .005 [0.13]$   
ANGLES ARE  $\pm 1^\circ$   
SHEET NO. 1 OF 1

TITLE: 6 CONTACT, 6 POSITION UNSHIELDED VERTICAL MOUNT JACK  
NON-FLANGE

THIS DRAWING AND THE SUBJECT MATTER SHOWN THEREON  
ARE CONFIDENTIAL AND THE PROPRIETARY PROPERTY OF  
OF STEWART AND SHALL NOT BE REPRODUCED, COPIED  
OR USED IN ANY MANNER WITHOUT PRIOR WRITTEN  
CONSENT OF STEWART. THE SUBJECT MATTER MAY  
BE PATENTED OR A PATENT MAY BE PENDING.

DRN BY: DAB	DATE 4-11-03
APPD BY: RGC	DATE 4-28-03
DWG NO. CT650013	REV. B0



REV. 3/25/03

2

1

AutoCAD