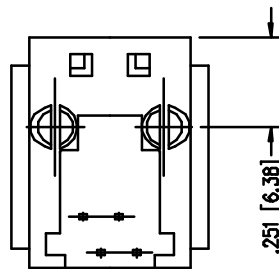
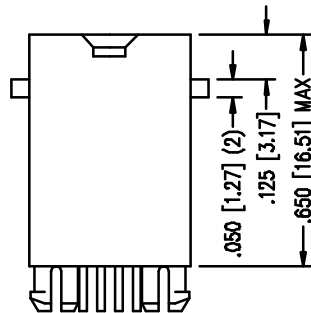
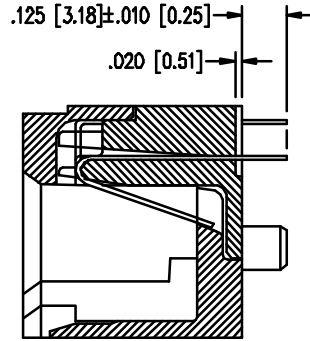
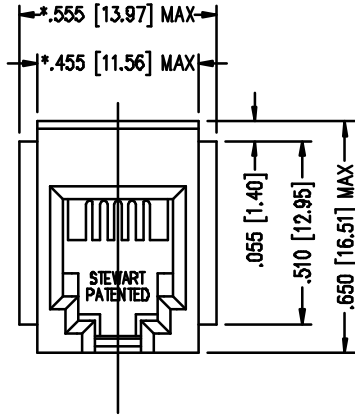


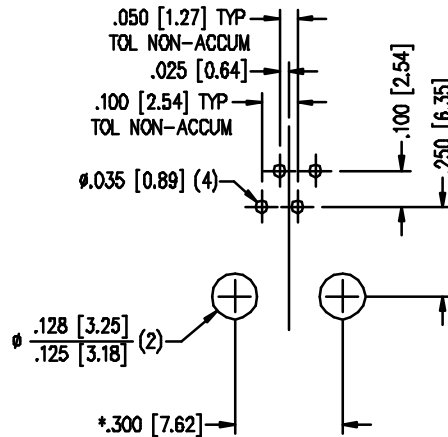
**STEWART  
CONNECTOR  
SYSTEMS, INC.**

R.D. 2, BOX 2020 GLEN ROCK, PENNSYLVANIA 17327

PART NO. SS-6544-FLS  
FOUR CONTACT, FOUR POSITION, VERTICAL MOUNT JACK  
"-FLS" FLANGED



**FOR REFERENCE  
ONLY**



**NOTES:**

- TOLERANCE COMPLY WITH F.C.C. DIMENSION REQUIREMENTS ALL OTHERS ±.005 [0.13] UNLESS OTHERWISE SPECIFIED.
- DIMENSIONS SHOWN WITH "\*" TO BE CENTRAL ABOUT CENTER LINE

**AVAILABLE WITH:**

- 30 & 50, MICRO-INCH SELECTIVE GOLD PLATING
- LOADED 1 - 4 CONTACTS

P.C.B. RECOMMENDED HOLE LAYOUT  
SEEN FROM COMPONENT SIDE  
TOLERANCE ±.003 [0.08] UNLESS OTHERWISE SPECIFIED